

Eating trends to be poultry topic

HARRISBURG — The Pennsylvania Poultry Federation has announced that Steve Falken, president of Dealing with Change, Inc. has been added to the list of speakers for the Federation's Annual Convention to be held on October 26th and 27th at the Holiday Inn, Grantville.

Falken has spoken to numerous trade associations across the country on how to use change to their advantage, and how to capitalize on the opportunities for growth that come with change. He has dealt with economic, social, monetary and regulatory changes as a Wall Street economist for twelve years, consulting for many



Steve Falken
companies, financial institutions,
and for the states of California and

Minnesota. He also served as a nuclear research scientist with the Atomic Energy Commission and as an aerospace engineer in the U.S. missile and space program.

Falken will address the subject of agricultural and consumer eating trends for the next 15 years.

He joins Bill Monroe, long time host of TV's Meet the Press, on the list of speakers for the convention.

THINKING OF BUILDING?

READ LANCASTER FARMING'S ADVERTISING TO FIND ALL YOUR NEEDS!

DEALERS WANTED

Rt. 30 East Craft - Antique and Flea Market

(Prime local and tourist location)

Across from Lancaster Outlet City and near Dutch Wonderland on Rt. 30 East.

Look for red & white striped pavilions.
Stands start at \$5.

Primarily looking for standholders with:

Farm Produce	Quilts	Antiques	New Clothing
Baked Goods	Crafts	Novelties	And Much More
Preserves	Paintings	Books	

(Quality Merchandise Only)

Contact Lincoln Beverage

2217 Rt. 30 East
717-392-8482

FRANK A. FILLIPPO, INC.

— WANTED —

DISABLED & CRIPPLED COWS, BULLS & STEERS

Competitive Prices Paid

Slaughtered under government inspection

Call:
Frank Fillippo -
Residence - 215-666-0725
Elam Ginder - 717-367-3824
C.L. King - 717-786-7229

Bombergers

FREE FINANCING

ON

HONDA TILLERS

*100 DOWN BALANCE DUE IN
SIX MONTHS FROM DATE OF PURCHASE

FRONT TINES

	List	SALE
F-400 3.5 H.P.	\$528	\$479
F-500 5 H.P.	\$598	\$529

REAR TINES

FR-500

5 H.P.

LIST PRICE

\$928

SALE PRICE

\$799

FR-700

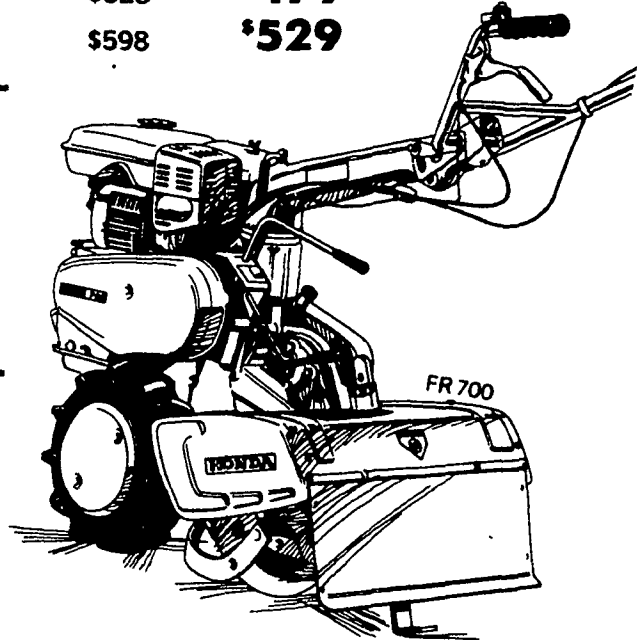
7 H.P.

LIST PRICE

\$1,048

SALE PRICE

\$899

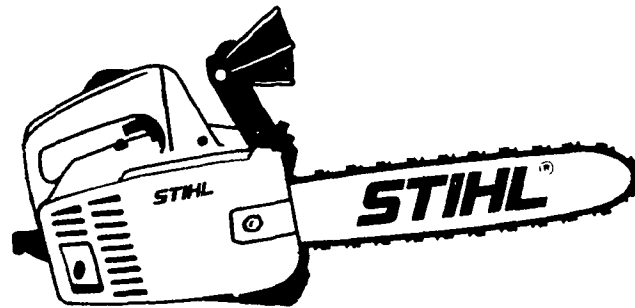


OFFER EXPIRES SEPT. 1, 1983

- Monday, Thursday, Friday 'til 9:30
 - Tuesday, Wednesday, Saturday 'til 6:00
- 717-665-2407

Elm, PA
Bombergers

HERE'S THE 015L.



HERE'S WHY IT'S A STIHL.

1. A high voltage ignition system and an efficient combustion chamber means it'll start work when you do. Every time
2. A "no-thumbs" fully automatic chain oiler lets you concentrate on cutting. Not oiling
3. Hot chamber magnesium die-casting makes the housing tougher. And the whole saw lighter.
4. Balanced fuel and oil tank capacities keep you from having to refill one when there's still plenty in the other
5. It's been designed to last at least twice as long as any other saw like it
6. And by lasting twice as long it'll really only cost about half as much
7. It's the best for less than you'd expect

AND HERE'S THE BEST PLACE AROUND TO GET IT.

- | | | | |
|--|--|--|--|
| WES STAUFFER
SMALL ENGINES
RD 3 Ephrata, PA Phone (717) 738-4212
Ephrata Ext New Rt 222
1/2 Mile West on Rt 322
Turn left onto Pleasant Valley Rd | MARTIN
HARDWARE &
EQUIPMENT CO
Rt 501 1 1/2 Miles South of
Schaefferstown, PA
Phone 717-949 6817 | WEST LANCASTER
MOWER SHOP
33 Albright Ave., Lancaster, PA 17603
717-394-2421
Weekdays Open Evenings After 4 P M
Saturday Open All Day | A & B SALES
& SERVICE
2 Miles South of Rt 23 Along 772
Thru Monterey - RD 1 Ronks, PA |
| STOLTZFUS
WOODWORK
RD Gap, PA Box 183
1 Mile North Rt 897 From Gap | WALTER McVEY & SONS
RD2 New Providence, PA
717 786-2462 | GOOD'S STORE
At the Country Mart, RD2 East Earl
Route 23 Just East of Blue Ball
717 354 4026 | EBLING'S LAWN
& GARDEN
Myerstown Bethel
717 866-6780 717-933-8192 |

STIHL

The World's Largest Selling Chain Saw.