

Continued poultry growth on Eastern Shore

COLLEGE PARK, Md — Poultry meat is fast becoming one of this nation's favorite protein foods.

That's good news to a large segment of Maryland's agribusiness community, which has 10,000 persons on the Eastern Shore directly involved in the broiler industry and one out of every seven residents of the Delmarva peninsula depending directly or indirectly upon broilers for a livelihood.

John W. Wysong, an Extension agricultural economist at the University of Maryland, notes that last year — for the first time — production of chicken and turkey meat on this nation's farms surpassed pork output.

This fact moves poultry into second place on the U.S. meat parade — directly behind beef.

The pattern is a familiar one in Maryland, where broiler output has far exceeded the combined total of beef, pork and lamb

production for more than 30 years.

And despite politically triggered overproduction on the national dairy scene in recent years, increases in Maryland broiler output have kept pace with the state's increased milk production. These increases on the chicken scene have been achieved without a federal market pricing formula and without creating a government storage surplus problem.

Here are some pertinent statistics from the Economic Research Service of the U.S. Department of Agriculture and its Maryland-Delaware Crop Reporting Service:

Commodity	U.S. PRODUCTION (billion pounds)		
	1981	1982	1983 projection
Beef	22.2	22.4	22.6
Pork	15.7	14.1	14.4
Poultry	14.4	14.5	15.0
Commodity	MARYLAND OUTPUT (billion pounds)		
	1980	1981	1982
Milk	1.52	1.56	1.58
Poultry	1.03	1.09	1.11

Red meat production has also increased during the past few years in Maryland.

Yet all of this demand for feed grain and high-protein concentrates has failed to keep the state's grain and soybean stocks from building up to all-time record or near-record levels.

This year's introduction of the Payment-in-Kind (PIK) program by the USDA appears likely to ease the grain surplus situation. And it already has driven the nation's depressed grain market to higher price levels during 1983.

That has set the stage for a real tug-of-war between Maryland poultry producers and their

livestock counterparts in bidding for reduced supplies of grain and high-protein feeds.

NE fitting and showing workshop planned

BLOOMSBURG — The Northeast Regional Fitting and Showing Workshop will be held this year in conjunction with the Columbia County Little International at the Bloomsburg Fairgrounds in Columbia County on July 12-13. The events are sponsored by the Pennsylvania Junior Guernsey Breeders' Association in cooperation with The Penn State Cooperative Extension Service of Columbia County.

This year there will be fun mixed with the work by having a two day event including the workshop, and an overnight camp-out in the exhibition buildings.

There will be demonstrations by

outstanding dairy showmen and fitters on preparing dairy cattle for shows. Each participant will work with a calf under trained supervision. Calves for the event will be provided by local breeders. The two day event will conclude with a fitting and showing contest.

Families are invited and awards will be presented. There will be free time for sports activities and a movie on the evening of July 12.

Any youth who has a dairy project, regardless of breed affiliation may participate.

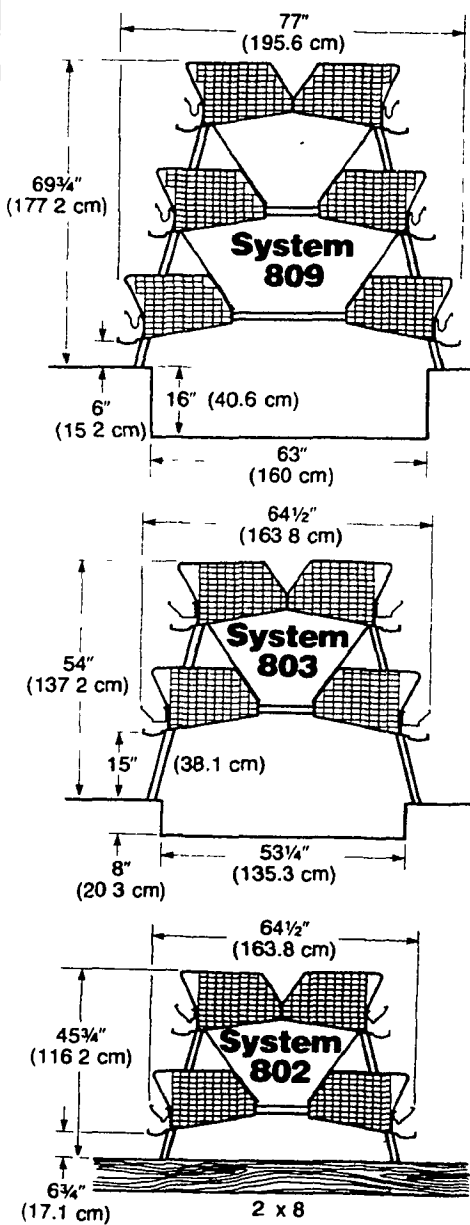
Deadline for registration is July 1, 1983.



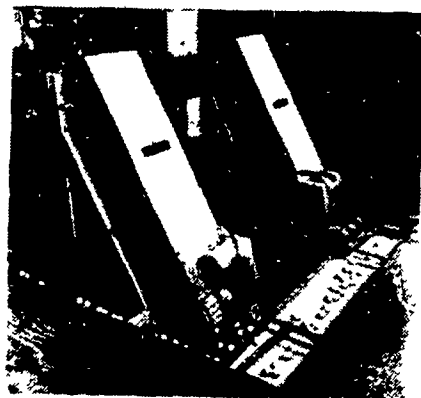
More EGGSciting News From EBERSOLE EQUIPMENT & SUPPLY COMPANY

Exclusive Contour Cage

gives birds more room



More room up front lets your birds move up close for feeding and even drinking from the water trough on the outside of the feed trough

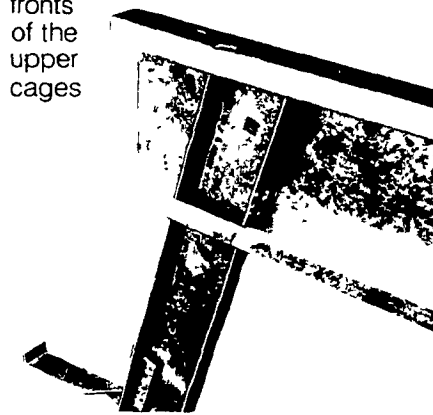


Egg collection is handled automatically on "V" shaped plastic or woven fabric belts and gentle action, patented Diamond Eggscalators

You can select from a variety of feeding systems Flat Chain, F-80 Deep "V," and Link-Chain plus the unique Feedsaver® system on the 3-High System 809. Select from trough, cup, and nipple watering

System 809 uses vertical space to reduce your overall investment per bird. Cage doors are on the top for bottom tier and on the front for middle and top tier. Birds can be seen and reached easily.

Systems 802 and 803 have space saving, low profiles and let you increase bird capacity in a remodeled narrow house with low ceilings. Cage doors are in the tops of the lower cages and in either the tops or fronts of the upper cages.

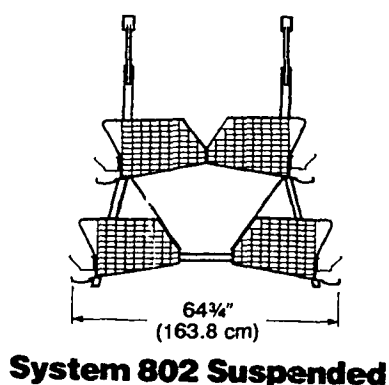


All of these systems feature sturdy Quick-Lock "A" frame assembly which eliminates nuts and bolts, speeds up installation, and utilizes the feed trough as a supporting, structural member.

Bird Capacity/10' Section

Cage Width	Birds/Cage	3-High	2-High
12"	4	240	160
15"	5	240	160
24"	9	270	180

Manufacturer does not recommend specific bird capacity



System 802 Suspended

EBERSOLE EQUIPMENT & SUPPLY COMPANY
JOHN R. EBERSOLE

RD 5, Box 190
Manheim, Pa. 17545

717-665-6861

SANDBLASTING REPOINTING WATERPROOFING

From repairing drafty, leaking walls to complete stucco removal and repointing, exterior restoration or farmhouses is our specialty!

REASONABLE RATES JAMES H. DOSTER

507 South Spruce Street
Lititz, Pennsylvania 17543

For information or a free estimate, return coupon below.

Name _____
Address _____
City _____ State _____ Zip _____
Phone: Area _____
Directions to your home: _____

EAR CORN

Paying Top Prices For Good Quality Ear Corn

- Wet or Dry
- No Quantity too large or too small
- Fast Unloading - Dump on Pile & Go
- Easy access - 2.2 miles off 283 bypass-Manheim, Mt. Joy exit
- Daily Receiving 7:30 A.M. to 5 P.M. - unloading evenings & Saturdays by appt.
- Trucks available for pick up at your farm.

Call Anytime For Price
717-665-4785

JAMES E. NOLL GRAIN