

HFA files complaint against cattle shipment group

The Holstein-Friesian Association of America has filed a complaint in the United States District Court, Eastern District of California, against Brent K. Fisher, Trans-Global Air Transport, Inc., Trans International Services, Inc., Choon H. Jhoun, Yoon Sup Lee (also known as Joseph Y.S. Lee), Overseas Metals Corporation and Western Products, Inc., all of California.

In the complaint, the Holstein Association has charged that those cited have falsely and fraudulently misrepresented animals with counterfeit documents.

The complaint named those who allegedly shipped 207 dairy animals in June 1982 to Korea for purchase by Korean buyers. These animals were said to be accompanied by false representations,

false descriptions and false designations of origin, procured, prepared and inserted on certificate of registry forms, official pedigree forms and application for transfer forms, which those cited had allegedly caused to be counterfeited from the authentic forms of the Association.

Additionally, the complaint asserts that the same parties sought to ship additional cattle under similar conditions in July, 1982, but the shipment was halted.

As a result of the alleged fraud and deceit, the Koreans who purchased the cattle were said to be dissatisfied and defrauded, and the Association suffered an integrity loss to its official documents.

Claim Filed

The Association is seeking relief

in the matter by asking for damages suffered by the Association and expenses for investigation costs and other expenditures to restore goodwill with the Korean Animal Improvement Association, agencies of the United States Government and others.

The Association has also asked the court to require the parties named to account and pay over to the Association all profits derived by them from the June, 1982 sale of cattle to the Korean purchasers and to deliver for destruction all counterfeits of Association documents.

And finally, the Association has asked for an order enjoining the parties involved from continuing to counterfeit certificates of registry, official pedigrees and other documents of the Association.

April base price

ORDER No. 4 BASE MILK PRICE \$13.82 FOR APRIL

Alexandria, VA, — Middle Atlantic Order Market Administrator Joseph D. Shine today announced an April 1983 base milk price of \$13.82 per hundredweight and an excess milk price of \$12.30. The weighted average April price is \$13.80 and the butterfat differential for the month is 16.9 cents. The base milk price was down 11 cents from the previous month but is 8 cents higher than last April.

The advertising withholding rate, which is deducted from the base and excess milk prices but not the weighted average price, was 14 cents a hundredweight. A total of

\$731.2 thousand was deducted for advertising in April compared to \$716.5 thousand a year ago. The gross value of April producer milk was \$72.0 million, compared to \$70.0 million last year. The transportation credit, which was effective April 15 through April 30, totaled \$74,579.97.

Mr. Shine said that producer receipts totaled 522.3 million pounds during April, an increase of 10.5 million pounds or 2.1 percent over last April. The average daily delivery per producer increased 74 pounds or 3.1 percent from April 1982. Class I producer milk totaled 239.4 million pounds and accounted for 45.83 percent of total producer

milk receipts during the month, almost exactly the same percentage as last April.

Base milk accounted for 89.80 percent of total producer milk receipts in April compared to 89.20 percent a year ago. The average butterfat test of producer milk was 3.69 percent in April compared to 3.66 percent a year earlier. This is the first time in over a year that the butterfat test has been higher than the previous year.

Middle Atlantic Order pool handlers reported Class I in-area milk sales of 205.6 million pounds during April, an increase of 6.3 million pounds or 3.2 percent over a year earlier.

Honoring Arbor Day



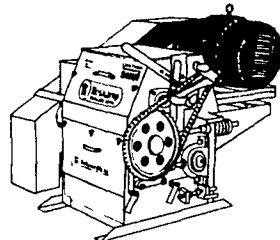
The Lower Dauphin FFA Chapter celebrated Arbor Day by planting a Red Crabapple tree outside the office of Senior High principal, Barney Osevala. Shown from left Tim Bennett, Student Advisor; Cindy Baker, 1983-84 President; and Jim Landvater, Chapter Reporter, planting the tree.

The chapter also planted over 400 seedlings in a nursery in observance of Arbor Day. These seedlings will be transplanted on the school grounds at a future date.

IT'S MAGIC
How quickly
You Get Results
From Our
Classifieds!

PHONE
717-394-3047
or 717-626-1164

See the difference when you roll your silage with a ROSKAMP

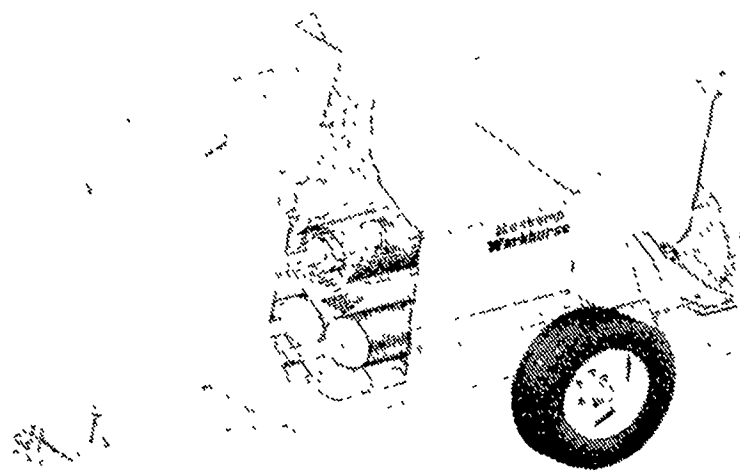


SILAGE ROLLER MILL

When you roll silage fresh just before feeding you'll see the difference in increased milk production, higher butterfat bigger faster gains

Rugged differential drive and spiral corrugation tears silage apart cuts cobs into edible pieces (NO COBS LEFT IN THE BUNK) and cracks every kernel for maximum feed efficiency

Workhorse



Inventory Clearance On The Workhorse 1982 Models

Roskamp's Portable Mill provides. Custom processing For every purpose. Where you need it. Silos. Pits. Bunkers. When you need it. No down time. No expensive delays.

With solid-to-the-shaft white iron rolls, the Workhorse toughs it out. Ton after ton. Day after day. Built to last. For the big jobs. Little jobs. Whether grain, ear corn or silage mill. Roskamp delivers.

Get the Workhorse. Put a Roskamp Portable Roller Mill on your farm. And on your side.

Phone or send in this coupon for free literature on the Heavyweights to

Roskamp Mfg., Inc.

2167 Rush-Mendon Rd.
Rush, New York 14543



- Check here
- Stationary Feed Processing Center
 - Portable Ear Corn Mill
 - Portable Grain Roller Mill
 - Silage Roller Mill
 - Have representative call or stop in

Name _____
R R or Box No _____
City _____ State _____
Zip _____ Phone _____

SEE YOUR LOCAL DEALER TODAY

REGIONAL SALES MANAGER

Lou Shuba
716-533-2237

PENNSYLVANIA

Barrett Equipment Co.
Smicksburg, Pa.
814-257-8881

Clapper Farm Equip., Inc.
Alexandria, Pa.
814-669-4465

Norman D. Clark & Son Inc.
Honey Grove, Pa.
717-734-3682

Fred Crivellaro
Easton, Pa.
215-258-7584

Tom Dunlap
Jersey Shore, Pa.
717-398-1391

Erb & Henry
New Berlinville, Pa.
215-367-2169

Fickes Silo Co.
Box 7
Newville, Pa. 17241
717-776-3129

Harclerode's Dairymen
Specialty Co.
New Paris, Pa.
814-839-2790

S.G. Lewis & Son, Inc.
West Grove, Pa.
215-869-9440

R.T. Markle
Farm Equip., Inc.
State College, Pa.
814-237-3141

Marshall Machinery, Inc.
Honesdale, Pa.
717-729-7117

Northeast Equipment Co.
Northeast, Pa.
814-725-1888

North Penn Sealstor
Bloomsburg, Pa.
717-387-1422

Atlee Rebert
Littlestown, Pa.
717-359-5863

Rovendale Supply
Watsonstown, Pa.
717-538-5521

Sollenberger Silos Corp.
Chambersburg, Pa.
717-264-9588

Stanley's Farm Service
Klingerstown, Pa.
717-648-2088

Stouffer Bros., Inc.
Chambersburg, Pa.
717-263-8424

Swope & Bashore, Inc.
Myerstown, Pa.
717-933-4138

Tam Agri Corp.
Dillsburg, Pa.
717-432-9738

Terre Hill Silo Co., Inc.
Terre Hill, Pa.
215-445-6736

Uniontown Farm Equipment
Uniontown, Pa.
412-437-9851
DELAWARE

O.A. Newton & Son Co., Inc.
Bridgeville, Del.
302-337-8211
MARYLAND

Arnett's Garage
RR 9 Box 125
Hagerstown, Md. 21740
301-733-0515

P & S Equipment, Inc.
Street, Md.
301-452-8521

Tri-State Farm Automation
Hagerstown, Md.
301-790-3698

NEW JERSEY

Andover Tractor &
Equipment, Inc.
Andover, NJ
201-786-5525

Brookhill Equipment
& Supply Co.
Pittstown, NJ
201-735-4142

NEW YORK

Sharon Springs Garage, Inc.
Sharon Springs, NY
518-284-2346

Willsey Farm Center
Tully, NY
315-696-5163

VIRGINIA

Virginia Silo Corp.
Dayton, Va.
703-879-2541

Roskamp