

Livestock market and auction news

Virginia Auction Summary

March 31 - April 6
Report supplied by VDA
Total of Va. Weekly Feeder Cattle Auction Receipts: 7254.
TREND: Steady to 1.00 lower.

Southwest, Va. Auction Summary

March 31 - April 6
STEERS: 300-500 lbs. Medium 1 68.50-79.00; Large 1 68.00-80.00; Small 1 50.00-62.00. 500-700 lbs. Medium 1 60.00-72.00; Large 1 65.00-76.00; Small 1 59.00-69.50. 700-1000 lbs. Medium 1 58.00-62.00; Large 1 55.00-66.00; Small 1 53.00-58.00.
HEIFERS: 300-500 lbs. Medium 1 52.00-63.00; Large 1 55.00-65.50;

Small 1 45.00-48.50. 500-700 lbs. Medium 1 45.00-48.50; Large 1 51.00-61.50; Small 1 45.00-53.00. 700-900 lbs. Large 1 48.00-54.25.

Northern Va. Auction Summary

March 31 - April 6
STEERS: 300-500 lbs. Medium 1 61.00-73.75; Large 1 65.00-75.00; Small 1 61.00-70.00. 500-700 lbs. Medium 1 60.00-73.50; Large 1 66.00-76.00; Small 1 57.00-64.50; Large 1 59.00-64.25; Small 1 54.00-59.00.

HEIFERS: 300-500 lbs. 51.00-62.50; Large 1 54.50-62.75; Small 1 45.00-56.00. 500-700 lbs. Medium 1 49.00-59.00; Large 1 51.50-59.00; Small 1 50.00-55.00. 700-900 lbs. Medium 1 46.50-52.00.

Southeast Va. Auction Summary

March 31 - April 6
STEERS: 300-500 lbs. Medium 1 61.00-74.50; Large 1 72.00-77.00; Small 1 59.00-68.50. 500-700 lbs. Medium 1 57.00-69.00; Small 1 62.25-66.00. 700-1000 lbs. Medium 1 57.75-64.50; Large 1 61.00-63.00.

HEIFERS: 300-500 lbs. Medium 1 58.00-60.00; Small 1 52.50-50.50; 500-700 lbs. Medium 1 45.50-57.00; Small 1 50.00-55.00. 700-900 lbs. 45.00-53.00.

Shenandoah Valley Livestock

Harrisonburg, Va. Saturday, April 2

Report supplied by auction
FEEDER CATTLE: Trend

none. Steers: M&L-1 300-500 lbs. 65.00-70.00; 500-700 lbs. 60.00-69.00; 700-1000 lbs. 59.00-64.50; Holstein 300-1000 50.00-69.00. S-1&M&L-2 300-500 lbs. 63.00-69.00; 500-700 lbs. 56.00-64.00; 700-1000 lbs. 53.00-58.00. Feeder Bulls: M&L-1 300-500 lbs. 57.50-66.00; 500-700 lbs. 57.00-65.00; 700-1000 lbs. 48.50-53.00. S-1&M&L-2 300-500 lbs. 54.00-62.50; 500-700 lbs. 54.00-60.00. Heifers: M&L-1 300-500 lbs. 52.00-59.00; 500-700 lbs. 52.00-58.00; 700-800 lbs. 46.50-52.00. S-1&M&L-2 300-500 lbs. 48.00-53.00; 500-700 lbs. 51.50-54.00. Stock Cows: Beef 400.00-500.00; Baby Calves 40.00-135.00, mostly 40.00-80.00.

SLAUGHTER CATTLE: Trend - none. Heifers- Choice 2-4 57.50-61.00.

SLAUGHTER COWS: Trend - Steady to 2.00 higher. Utility & Commercial 2-4 36.75-46.50;

Canner & Cutters 1-3 34.00-39.50. SLAUGHTER BULLS 1 & 2 47.00-52.00.

LAMBS: Trend- Steady. High Choice & Prime 63.00; Feeder Lambs Choice 50.00; Slaughter Ewes 12:50-21.00; Head Ewes ewes & lambs 56.00.

HOGS: US 1-3 200-240 lbs. 47.00; Sows 1-3 42.00-48.00.

VEAL: Good & Prime 88.00; Good 65.00-75.00.

SLAUGHTER CALVES: Good & Choice 55.00-69.50

Morrisons Cove Auction

Martinsburg, Pa. Monday, April 4

Report supplied by auction
SLAUGHTER CATTLE: Steers- Choice 64.00-68.00; Good 60.00-64.00; Standard 56.00-60.00; Utility 50.00-56.00. Heifers- Choice 59.00-63.00; Good 54.00-58.00; Standard 48.00-54.00; Utility 42.00-48.00. Cows- Choice 41.00-48.00; Good 44.00-46.00; Standard 40.00-42.00; Utility 36.00-40.00. Cutters- 34.00-36.00; Canners down to 34.00. Bulls- 1100-2050 lbs. 52.00-60.00; 900-1100 lbs. 46.00-56.00.

FEEDER CATTLE: Steers- Choice 300-600 lbs. 55.00-70.00. Heifers- Choice 300-600 lbs. 48.00-58.00.

CALVES: Vealers prime and high Choice 90.00-102.00; Good and Choice 70.00-90.00; Standard 50.00-70.00; Utility down to 35.00. Farm Calves- Holstein bulls 90-120 lbs. 90.00-108.00; heifers 90-120 lbs. 90.00-140.00.

HOGS: Barrows and gilts 200-240 lbs. 46.00-49.90; 170-300 lbs. 42.00-47.00; Sows 300-700 lbs. 43.00-48.50; Boars 41.00-44.00.

FEEDER PIGS: 25-35 lbs. 35.00-46.00 per head; 35-50 lbs. 46.00-54.00.

SHEEP: Slaughter lambs none; Ewes 12.00-29.00.

GOATS: 18.00-35.50.

Pre-Pay Bulk Fertilizer Cash Prices

Priced FOB East Liverpool, Ohio (35 mi. west of Pittsburgh) 5 ton minimum order for customer pick up. We will deliver tractor trailer loads to all locations. Call for delivery rates.

		Off River Barge	From Warehouse
Urea, Granular	46- 0- 0	\$165.62	\$171.50
DAP	18-46- 0	\$209.72	\$215.60
MAP	11-53- 0	\$219.52	\$225.40
TSP	0-46- 0	\$165.62	\$171.50
Potash, Red, Coarse	0- 0-61	\$113.68	\$119.56
Potash, White, Coarse	0- 0-62	\$115.64	\$121.54
Am. Nitrate, #1	34- 0- 0	N/A	\$154.00
Am. Nitrate, Fines	34- 0- 0	N/A	\$118.00

Also Available - Bulk or Bagged Ammoniated 10-20-20; 20-10-10; 15-15-15 & 13-34-10.
Call for bagged prices, delivery rates and loading appointments.

SKYLINE ENTERPRISES

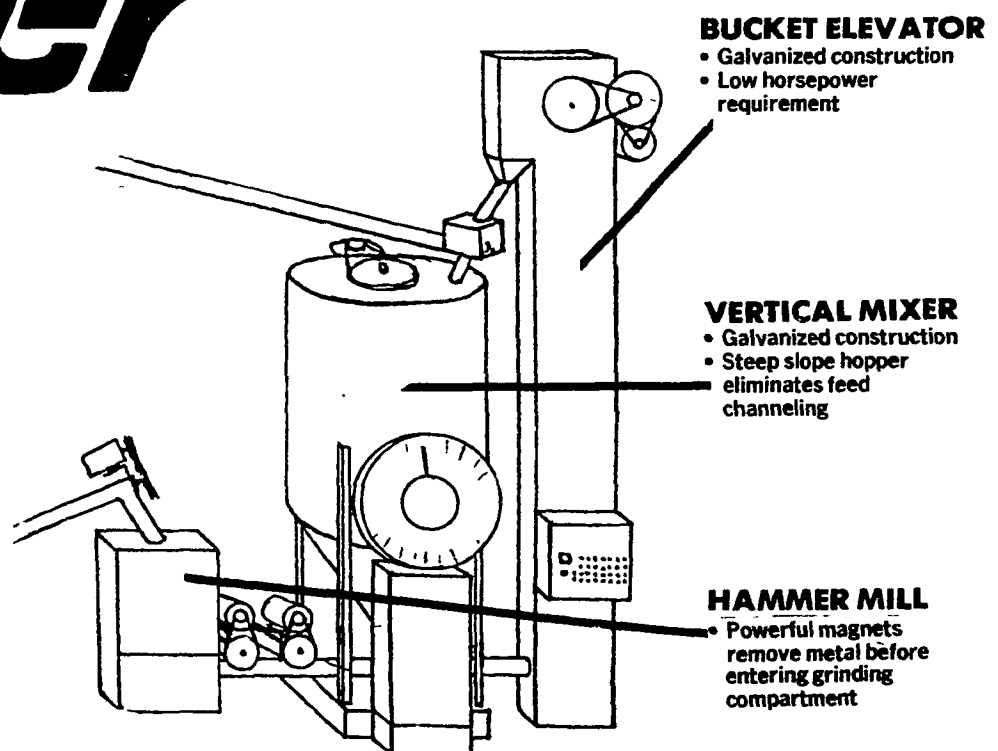
RD 7 Box 143 Somerset, PA 15501

Ask for Bruce 814-443-4788 daily until 8:30 PM

* Note - market conditions may cause prices to change without notice.



**THE FARM SIZE
MILLING SYSTEM
THAT WEIGHS
EACH INGREDIENT**



BUCKET ELEVATOR
• Galvanized construction
• Low horsepower requirement

VERTICAL MIXER
• Galvanized construction
• Steep slope hopper eliminates feed channeling

HAMMER MILL
• Powerful magnets remove metal before entering grinding compartment

- * Completely Automatic
- * Memorizes Complete Rations
- * Easily Adopted to Existing System
- * Financing Available

For More Information,
Call or Write Today:



automatic farm systems

608 Evergreen Road
Lebanon, PA 17042

(717) 274-5333