

# Livestock market and auction news

## Carlisle Auction

Carlisle, Pa.

Tuesday, April 5

Report supplied by auction

**CATTLE:** Steers and heifers were steady to 1.00 higher; Cows were 2.00 higher; Bullocks were steady. Steers- Good 60.35-61.25; Standard 54.00-57.25; Utility 53.75 down. Heifers- Good 56.25-58.00; Standard 49.00-50.50; Utility 45.00 down. Cows- Large run; Utility & Commercial 44.60-47.25; Cutter 42.00-44.00; Canner & Low Cutter 38.25-42.00; Shells 37.00 down.

Bullocks- Good 51.85-54.10; Utility 47.50. Bulls- Yield Grade No. 1 50.50-53.25; Yield Grade No. 2 45.60-48.50.

**FEEDER CATTLE:** Good run. Steers were steady; Heifers were 2.00 to 4.00 higher and Bulls were steady. Heifers- Good 395-420 lbs. 59.00-60.00; Good 415-435 lbs. 56.00-57.00; Medium 515-635 lbs. 52.50-54.50; Medium 690-735 lbs. 46.00-50.00. Steers- Good 325-485 lbs. 64.00-69.00; Good 535-575 lbs. 63.00-66.50; Medium 525-605 lbs. 51.00-53.00; Good 625-720 lbs. 57.00-62.00;

Good 710-790 lbs. 55.00-56.00; Good 720-767 lbs. 60.00-63.25. Bulls- Medium 350-387 lbs. 48.00-53.00; Good 445-510 lbs. 56.00-59.00.

**CALVES:** Vealers were 6.00 lower; Back to Farm Calves were 3.00 higher for Hol. Bulls and 14.00 lower for Heifers. Vealers- Choice 90.00-112.00; Good 75.00-95.00; Standard & Good 67.00-85.00; Standard and Light 65.00 down. Farm Calves- Hol. Bulls 95.00-113.00; Hol. Heifers 100.00-120.00.

**HOGS:** Steady prices. US No. 1-2 46.25-48.85; US No. 1-3 45.10-47.00;

US No. 2-3 43.25-45.50. Sows- 1.75 higher. US No. 1-3 43.50-48.75; No. 2-3 38.25-43.00. Boars- 1.00 lower; heavy 33.50-36.25.

**FEEDER PIGS:** US No. 1-3 25-35 lbs. 27.00-39.00 head; No. 1-3 35-43 lbs. 39.00-43.00 head; US No. 1-3 50-60 lbs. 38.00-43.00 head.

**SHEEP:** too few to test market. Lambs- Choice 80.00-85.00; Good 56.00-72.50. Goats- Family at 47.50 head 21.00-40.00 head.

## New Holland Horse

New Holland Sales Stables

Monday, April 4

Report supplied by auction  
Reported receipts of 241 head of horses, mules, and ponies.  
Market: steady.

Local work horses 750.00-1100.00 singles; Better horses 525.00-900.00; Driving horses 375.00-725.00; Riding horses 375.00-475.00; Lightweight killers 350.00-450.00; Heavyweight killers 475.00-525.00; Mares 30.00-100.00; Colts 15.00-30.00; Geldings 30.00-100.00; Larger ponies 135.00-275.00; Reg. Horses 950.00-1400.00.

## Now is the Time

(Continued from Page A10)

are mature to make this spray application.

### To Operate Machinery Sensibly

Farmers are always in a big hurry when the good spring weather arrives. As a result, they operate their tractors and other machinery at too high a speed. This presents safety hazards and is the cause of too many accidents. Grain drills and corn planters are designed for accurate planting, if operated at a normal rate of speed. Often in the rush of things, we travel too fast and the planting job is disappointing. We urge farmers to take the time to properly prepare and adjust their machinery and then drive at a speed that will give good performance. The speed is listed on the manufacturers directions on many pieces of farm machinery. Take time to be safe and satisfied.



### YORK COUNTY BARN

Clear span wood trusses up to 80' in one piece. All trusses engineered for heavy snow loads.



ROOFING & SIDING  
IN STOCK

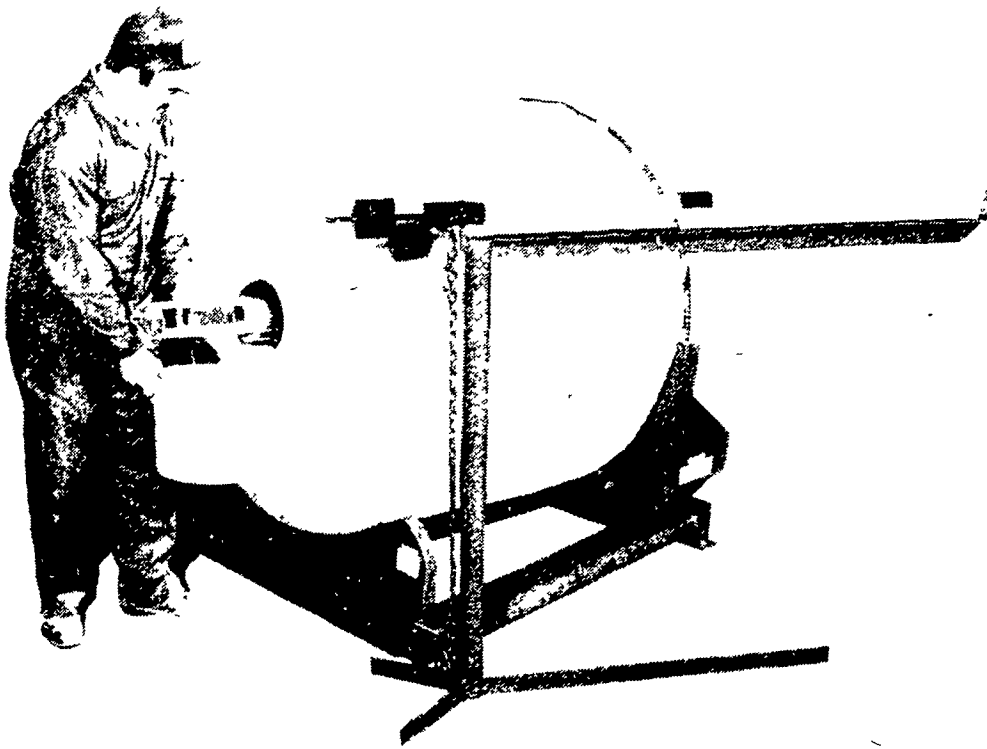


DOOR TRACK  
AND ACES  
IN STOCK



### LOADED TO DELIVER ON YOUR JOB SITE - AND ON TIME - CRANE SERVICE

- Laminated Straight Beans
- Treated & Untreated Timbers
- Plan King Complete Farm Building Materials.



## NEW



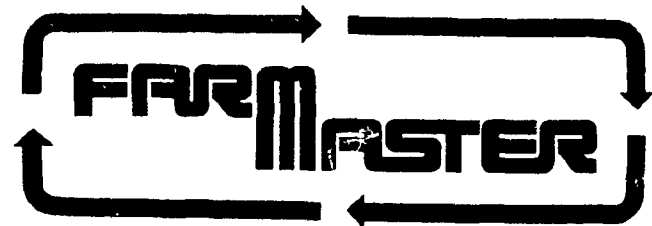
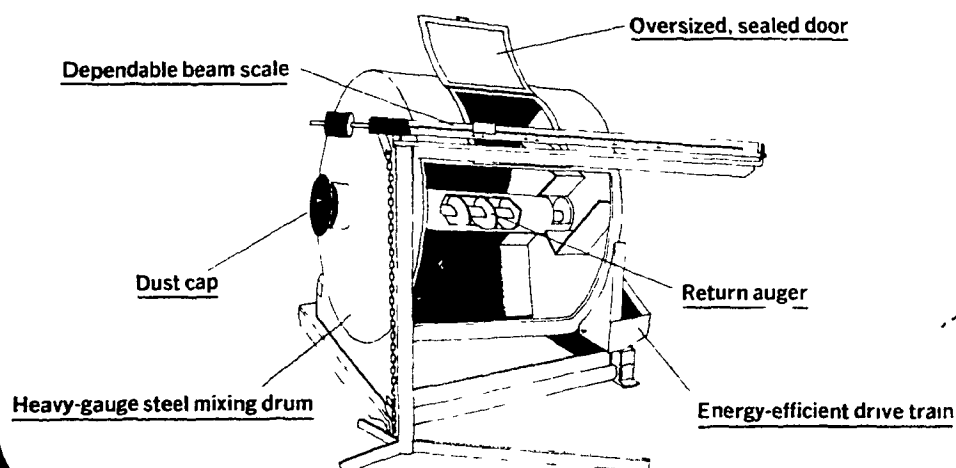
## GRAIN BLENDER

### MODEL 25 SHOWN

3 Sizes Available

- 10 cu. ft. (7.4 Bu.)
- 25 cu. ft. (18.5 Bu.)
- 45 cu. ft. (33 Bu.)

Mix grain, vitamin and mineral supplements thoroughly, efficiently - with this new grain blender from -



For More Information

CALL: (717) 354-6235 or

WRITE: FARM MASTER

RD #1 Box 444B

New Holland, Pa. 17557

Dealerships Available In Some Areas