

Livestock market and auction news

Chambersburg Auction Chambersburg, Pa. Thursday, Jan. 27

Report supplied by PDA

CATTLE 416. Compared with last Thursday's market: Slaughter steers .50-1.25 higher. Slaughter cows steady to 1.00 lower; Choice No. 2-4, 975-1350 lbs. 58.35-62.75; Good 55.00-57.50; Standard 50.00-54.50; Utility 41.75-50.75. Slaughter heifers - Choice 55.00-60.00, one at 61.25; Good 50.75-55.00. Slaughter cows - Utility & Commercial 40.00-44.25, couple 45.60; Cutters 38.85-41.50; Canner & Low Cutter 35.00-38.85; Shells down to 30.75. Slaughter bullocks - one Choice 57.50; Good 49.75-55.00; Couple Standard 49.00 & 49.50. Slaughter bulls - Yield Grade No. 1 1000-1985 lbs. 45.00-53.00, couple to 55.00.

FEEDER CATTLE: Steers, few medium frame No. 1 300-700 lbs. 52.50-62.00. Heifers, medium frame No. 1, 350-825 lbs. 45.50-54.50.

CALVES 458: One Prime at 119.00; Choice 83.00-106.00, one at 117.00; Good 70.00-83.00; Standard & Good 70-100 lbs. 57.00-65.00; Utility 60-85 lbs. 40.00-55.00.

FARM CALVES: Holstein Bulls 90-125 lbs. 67.00-90.00, couple to 94.00; Holstein Heifers 85-140 lbs. 65.00-96.00, couple to 105.00.

HOGS 45: One lot US No. 1-2 212 lbs at 59.25; one lot No. 1-3 250 lbs. at 59.35; US No. 1-3 300-625 lbs. 48.00-56.00. One Boar at 38.75.

FEEDER PIGS 34: US No. 1-3 20-35 lbs. 25.00-31.00; one lot 40 lbs. at 42.00 per head.

SHEEP 10: Couple Choice 85 lbs. at 60.00; few slaughter ewes 18.00-25.00.

GOATS: 3.

Westminster Livestock Auction

Westminster, Md.
Tuesday, Jan. 18

Report supplied by auction

BUTCHER COWS: Very active. \$2 higher! High Yield 42.00-44.00; Standard & Utility 39.00-42.00; Cannors 37.00-40.00; Shelly 37.00 Down. Slaughter Bulls - Good heavy weights 52.00-53.75, medium 50.00-51.00; Fed Steers - Choice 900-1000 lb. 59.00-61.50; Good & Low Choice 44.00-59.00; Holsteins good to 54.00; Standard 47.00-50.00. Fed Heifers - Few Low Choice to 54.25.

BUTCHER HOGS: Steady prices. US #1-3 215-249 lb. 56.60-58.75; 240-260 lb. 1 lot to 56.50. Sows 350-675 lb. 49.00-51.00; Thin 275-400 lb. 41.00-46.00; Boars 470-685 lb. 41.00-42.50.

VEAL CALVES: Very active. \$5.00 to \$8.00 higher. Choice 90.00-97.00; Good 75.00-90.00; Standard 60.00-75.00; Killers 80-100 lb. 50.00-60.00; Weak & Rough 50.00 Down.

CALVES RETURNED TO FARM: Strond demand \$20.00 higher! Holstein Heifers 100-120 lb. to 78.00; Holstein Bulls 100-120 lb. 80.00-101.00, mainly 90.00 to 100.00.

STOCK CATTLE: Small run. Steers - 300-600 lb. Choice few to 64.00; 700-900 lb. Choice 56.00-58.00; Good 53.00-56.00; Holsteins 45.00-

48.00; Heifers - 300-700 lb. Choice 52.00-54.00; Good 48.00-52.00.

PIGS AND SHOATS: Scarce! By the head - 30-60 lb. (small lots) 30.00-41.00. By the lb. 108-165 lb. 57.00-58.50.

G & M Livestock Duncansville, Pa. Monday, Jan. 24

Report supplied by auction

SLAUGHTER CATTLE: Steers choice 58.00-61.00; Good 54.00-58.00; Standard 50.00-54.00; Utility 46.00-50.00. Heifers choice 55.00-59.00; Good 50.00-55.00; Standard 46.00-50.00; Utility 42.00-46.00. Cows choice 44.00-46.00; Good 42.00-44.00; Standard 40.00-42.00; Couple 47.50-50.50; Utility 38.00-40.00; Cutters 34.00-38.00; Cannors down to 30.00. Bulls 11-16 lbs. 50.00-56.50; 900-1100 lbs. 48.00-54.00.

FEEDER CATTLE: Steers choice 300-600 lbs. 52.00-62.00. Heifers choice 300-600 lbs. 48.00-56.00.

CAIVES: Vealers prime and high choice 85.00-99.00; Good and Choice 70.00-85.00; Standard 50.10-70.00; Utility down to 30.00. Farm calves, Holstein bulls 90-120 lbs. 75.00-96.00; Heifers 90-120 lbs. 60.00-85.00.

HOGS: Barrows and gilts 200-240 lbs. 58.00-60.10; 170-300 lbs. 54.00-58.00. Sows 300-600 lbs. 50.00-56.00.

SHEEP: Slaughter lambs 80-110 lbs. 50.00-64.00.

Joliet Cattle

Thursday, Jan. 27

Report supplied by USDA

Friday through Wednesday's salable receipts 2,900; 5 days last week 3,091; same period a year ago 3,349. Trading active for the week. Slaughter Steers ended the week mostly steady to .50 higher. Slaughter Heifers ended the week .50 higher. Cows closed the week 1.00 higher.

SLAUGHTER STEERS: mixed High Choice and Prime 3-4 1200-1350 lbs. 60.50-61.00 Monday; 60.75-61.50 Wednesday. Choice 2-4 1100-1400 lbs. 59.50-60.50 Monday; 59.50-61.00, mostly 60.00-60.50 Wednesday. Mixed Good and Choice 2-3 1050-1400 lbs. 58.00-59.50 Monday; 58.50-59.50 Wednesday. Package Choice 2-3 1400 lbs. Holsteins 51.50 Monday.

SLAUGHTER HEIFERS: Choice, few loads with a Prime end 2-4 900-1200 lbs. 58.50-60.00. Mixed Good and Choice 2-3 850-1050 lbs. 57.00-58.50. Good 2-3 850-1100 lbs. 55.00-57.00.

COWS: Cutter and Utility 1-3 36.00-38.50. Canner and Low Cutter 1-2 32.00-36.00 Monday.

Special Horse Sale

New Holland Sales Stables
Friday, Jan. 21

Report supplied by auction
353 head.

Work Horses

2 loads, Tn., pairs 2150.00 - 3250.00, singles 875.00 - 2000.00; Va. pairs 2050.00 - 3500.00, singles 975.00 - 1100.00; Mich. pairs 2100.00 - 2600.00, singles 650.00 - 1175.00; Ky. pairs 1925.00 - 3100.00, singles 875.00 - 1250.00; Ohio pairs 1050.00 - 1850.00, singles 700.00 - 1000.00; Pa. singles 700.00 - 1125.00; Iowa pairs 1575.00 - 2350.00, singles 675.00 - 1675.00; Ill. singles 750.00 - 850.00.

Mules

Tn. pairs 1500.00 - 3700.00; Ky. pairs 2000.00 - 3650.00, singles 1075.00 - 1525.00.

Driving

Ky. 800.00 - 1150.00; New Jersey 500.00 - 800.00; Ky. 775.00 - 1325.00.

Local

Driving 450.00 - 1600.00; Work pairs 1600.00-3100.00; singles 600.00-1100.00; mules 400.00-1075.00.

New Holland Horse

New Holland Sales Stables
Monday, Jan. 24

Report supplied by auction

Reported receipts of 211 head of horses, mules, and ponies. Market: steady.

Local Better horses 450.00-650.00; Driving horses 300.00-700.00; Riding horses 300.00-425.00; Lightweight killers 325.00-450.00; Heavyweight killers 475.00-665.00; Mare ponies 45.00-75.00; Pony Colts 15.00-25.00; Geldings 45.00-75.00; Larger ponies 100.00-240.00.

ATTENTION - FARMERS

EDUCATIONAL MEETINGS ARE BEING OFFERED BY ORGANIC PLANT FOOD CO.*

NO FRILLS - JUST COME AND LEARN

Where: Witmer Fire Hall
Time: 7:30 P.M. - promptly

SECOND MEETING - TUES. EVE. FEB. 1st
SUBJECT: ALFALFA & SMALL GRAIN

SPEAKERS AND TOPICS

HERB COLE - Prof. of Plant Pathology, Penn State University
— 100 BU. WHEAT YIELDS —

JOHN YOCUM - Manager of Penn State Research Farm, Landisville
— ALFALFA MANAGEMENT —

BILL BRUBAKER - Organic Plant Food Co.

— MAKE PLANS TO GET TOP YIELDS OF SMALL GRAIN AND ALFALFA —

THIRD MEETING - TOBACCO

More information to be announced at preceding meeting.
Watch our ad for date & place.

* Call Prior to Meeting Would Be Appreciated But Not Necessary.

ORGANIC PLANT FOOD CO.



BULK BLENDS
MASTER FARMER
ANHYDROUS AMMONIA

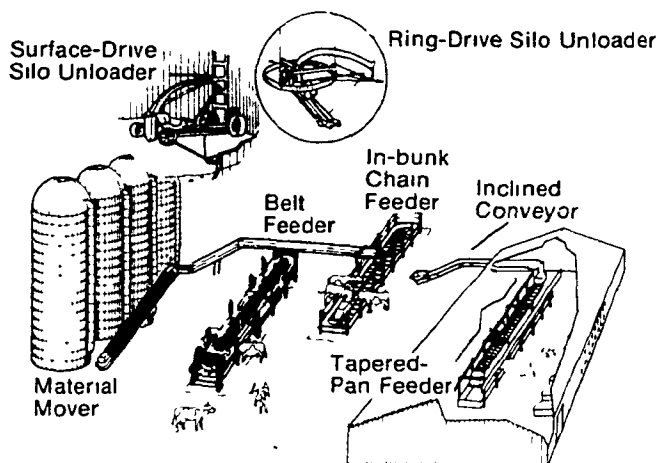
2313 NORMAN ROAD
LANCASTER, PA
PHONE: 717-397-5152
Hours - Monday thru Friday 7:30 to 4
Saturday 7:30 - 12:00

Patz builds feed handling systems you can depend on

That's because Patz spends a great deal of time in design and field testing, to make sure that our equipment will stand up to your requirements.

Whether you need a large or small feed handling system, a silo unloader, a conveyor, or feeder...

Year after year, you can depend on



DISTRICT MANAGER

GEORGE HEATH 472 Woodcrest Dr. Mechanicsburg, PA 17055
717-737-0002

Contact your nearest Patz dealer

ALEXANDRIA
MAX ISEBERG
814-669-4027

BALLY
LONGACRE
ELECTRIC
215-845-2261

BEDFORD
BENCE FARM
EQUIPMENT
814-623-8601

BELLEVILLE
MACLAY & SON
717-935-2101

CAMP HILL
LLOYD SULTZBAUGH
717-737-4554

HAMBURG
SHARTLESVILLE
FARM SERVICE
215-488-1025

LEBANON

MARVIN J. HORST
DAIRY EQUIPMENT
717-272-0871

MILTON

LANDIS FARMSTEAD
AUTOMATION
717-437-2375

PIPERSVILLE

MOYER
FARM SERVICE
215-766-8675

QUARRYVILLE

UNICORN FARM
SERVICE
JAMES E. LANDIS
717-786-4158

TERRE HILL

TERRE HILL
SILO CO. INC.
215-445-6736

MARYLAND DEALERS

HAGERSTOWN, MD
TRI-STATE
FARM AUTOMATION
301-790-3698

KENNEDYVILLE, MD
PINDER SERVICE CO.
301-348-5263

LINEBORO, MD

WERTZ GARAGE, INC.
301-374-2672

NEW WINDSOR, MD

ROOF FERTILIZER
& CHEMICAL
301-775-7678

STREET, MD

P & S EQUIPMENT,
INC.
301-452-8521

Patz