

Livestock market

North Jersey Livestock

Hackettstown, N.J.
Tuesday, Jan. 18

Report supplied by auction
1040 head.

Calves 20.00-85.00; Cows 34.00-45.00; Easy Cows 11.00-40.75; Heifers 40.00-54.50; Bulls 38.50-56.50; Steers 49.75-59.00; Hogs 47.00-59.75; Roasting Pigs, each 25.00-44.00; Kids 4.00-52.00; Boars 43.00; Sows 45.00-48.50; Sheep 15.00-56.00; Lambs, each 34.00-45.00; Lambs per lb. 35.00-78.00; Goats, each 8.00-70.00; Hides 10.00.

Indiana Auction

Homer City, Pa.
Thursday, Jan. 20

Report supplied by PDA

CATTLE: 148. Compared with last week's market: Slaughter steers 1.50-2.00 higher; Sl. cows active 1.50 to mostly 2.00 higher. Sl. steers: Choice 57.50-60.75; Good 54.00-57.60; Standard 49.00-54.25. Sl. heifers: few Choice 55.25-57.75; few Good 50.00-53.50; Standard 46.00-50.50. Sl. cows: Utility & Commercial 40.50-44.50; few high yielding 45.00-48.00; Cutters 40.50-44.50; Canner & L. Cutter 37.50-41.00; Shells down to 33.00. Sl. bulls: Yield Grade No. 1, 1200-1700 lbs. 49.50-56.50; few Yield Grade No. 2, 1100-1300 lbs. 45.00-48.00.

FEEDER CATTLE: Steers, Medium Frame No. 1, 500-700 lbs. 50.00-56.25. Heifers, Medium Frame No. 1, 450-650 lbs. 45.00-53.00.

CALVES: 115. Vealers active Good & Choice 4.00-5.00 higher, Standard Good 10.00-15.00 higher. Choice 96.00-104.00; Good 80.00-90.00; Standard & Good 90-120 lbs. 65.00-81.00; 60-85 lbs. 53.00-65.00.

FARM CALVES: Hol. Bulls 90-125 lbs. 80.00-92.00.

HOGS: 74. Barrows and gilts fully 2.00 higher. US No. 1-2 210-250 lbs. 59.00-60.25; No. 1-3 200-260 lbs. 57.00-58.00; few No. 2-3 200-300 lbs. 55.00-57.00; No. 1-3 one small lot 150 lbs. 51.50; Sows US No. 1-3 300-600 lbs. 50.00-52.50; few No. 2-3 400-700 lbs. 48.25-49.50. Couple Boars 42.00 & 44.00.

FEEDER PIGS 25. US No. 1-3 25-35 lbs. 30.00-35.00; No. 1-3 40-50 lbs. 35.00-42.00.

SHEEP: 3. One Choice at 60.00; couple Good 85 lbs. at 55.00.

Chambersburg Livestock

Chambersburg, PA
Thursday, Jan. 20

Report supplied by PDA

CATTLE: 418. Compared with last week's market: Slaughter steers .25-1.50 lower; Sl. cows 1.00-3.00 lower. Sl. steers: low to

FARM SHOW — Last week, LANCASTER FARMING featured the highlights of the junior market swine show at Farm Show in which Chad Folker of R2 New Holland captured the grand championship and Mike McCahren of R1 Mifflintown, the reserve title.

This week we have the complete results of that show. The top three winners in each division are:

Group 1 Lightweight
1 Kathy Bishop, R2, Homer City; 2 Jimmy Shaffer, R1, New Salem; 3 Scott Charles, R1, Millersville

average, Choice No. 2-4 1050-1450 lbs. 57.00-60.60, one at 61.75, few Holsteins 55.75-57.25. Good 54.50-56.10, couple 57.75; Standard 49.35-53.50; few Utility 45.00-48.50. Sl. heifers: Choice 55.00-58.85; few Good 49.00-53.60. Sl. cows: Utility & Commercial 40.00-45.35, few to 47.60; Cutters 38.85-42.00; Canner & L. Cutter 35.50-38.85; Shells down to 31.25. Sl. bullocks: one Choice at 57.10. Sl. bulls: Yield Grade No. 1, 1100-1800 lbs. 46.00-53.00, couple to 55.35; few 900-1000 lbs. 42.00-45.75.

FEEDER CATTLE: Heifers, Medium Frame No. 1, 400-700 lbs. 52.00-55.00.

CALVES: 483. Couple Prime at 117.00; Choice 94.00-109.00; Good

Farm Show lists jr. market swine results

Group 2 Lightweight
1 Dean Zeager, 1005 Epler Rd., Middletown; 2 George Belka, 137 Wolf St., Philadelphia; 3 Matthew Gilliano, 2915 W Poplar St., Philadelphia

Group 3 Lightweight
1 Dave Fisher, R2, East Earl; 2 Tina Niebauer, R1, Ebensburg; 3 Bruce Smith, 210 Lagonda Rd., Washington

Group 1 Middleweight
1 Chris Hopple, 860 Boiling Spg., Mechanicsburg; 2 Mark Hall, R1, Julian; 3 Kirk Fisher, R1, Oley

Group 2 Middleweight
1 Joel Burkholder, R4, Fleetwood; 2 Sandy Hopple, 860 Boiling Spg., Mechanicsburg; 3 Rodney Witmer, Silver Mine Rd., Conestoga

Group 3 Middleweight
1 Chris Chapman, R5, Manheim; 2 Melissa Trostle, R2, Red Lion; 3 Michael Dietrich, R1, New Tripoli

Lt Hvyweight-Group 1
1. Kris Bryan, 28 Uanheer Ave., Media; 2. Nita Kennedy, R1, Avella; 3. Kent Fisher, R1, Oley

Lt Hvyweight-Group 2
1 Bill Hoffman, R1, Pa Furnace; 2 Judy Ruppert, 5201 Pinchtown, Dover; 3 Tom Emery, R1, Glenmore

Lt Hvyweight-Group 3
1 Mike McCahren, R1, Mifflintown; 2. Brandon Weary, R1, Newville; 3. Kim Bryan

Heavyweight-Group 1
1 Russell Ackley, R1, Litz, 2 Jill Burkhardt, R1, Mohnton; 3. Gus Parlette, R2, Arrville

Heavyweight-Group 2
1 Brian Beam, R2, Elverson; 2 Charles Finkenbinder, R4, Carlisle; 3. Sandy Pryor, R1, W Alexander

Heavyweight-Group 3
1 Chad Folker, R2, New Holland; 2 Karen Fought, 140 N. Middlesex, Carlisle; 3. Jodi Kreider, 1603 Prescott Rd., Lebanon

Champion Lightweight
1 Dave Fisher, R2, East Earl

Reserve Champion Lightweight
1 Dean Zeager, Middletown

Middleweight Champion
1 Joel Burkholder, R4, Fleetwood

Middleweight Res Champion
1 Chris Chapman, R5, Manheim

Lt Hvyweight Champion
1 Mike McCahren, R1, Mifflintown

Lt Hvyweight Res Champion
1 Kris Bryan, Media

Heavyweight Champion
1 Chad Folker, R2, New Holland

Heavyweight Res Champion
1 Russell Ackley, R1, Litz

Grand Champion
1 Chad Folker, R2, New Holland

Reserve Grand Champion
1 Mike McCahren, R1, Mifflintown

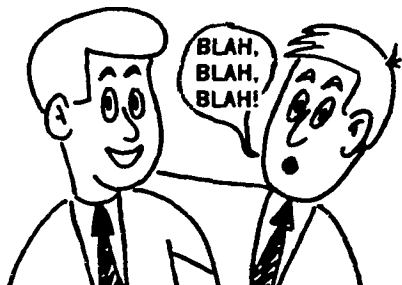
Showmanship-12 Yrs & Under
1. Donnie Shess, 967 Maroon Rd., Chambersburg; 2. Greg Bankert, R3, Hanover; 3. Daryl Grumbine, 47 S. Fairlane Ave., Myerstown

Showmanship-13, 14, 15 Yrs
1. Greta Lehman, R2, Port Royal; 2. Melissa Trostle, R2, Red Lion; 3. Nita Kennedy, R1, Avella

Showmanship-16 Yrs & Older
1. Brian Bankert, R3, Hanover; 2. Barbara McConnell, Volant; 3. Michelle Dean, R1, Strasburg

Champion Showmanship
1 Brian Bankert, R3, Hanover

Now That You've Heard All Those Claims At The Farm Show -



See Your GUTWEIN Dealer For Yield Data...

Good Supplies of These Long And Short Season Proven Varieties Now Available...

- ★ 2215 ★ 2440
- ★ 69B ★ 2610
- ★ 2910 ★ 2776

FEEDING LIVESTOCK?

Ask About The High Nutritional Value From These Waxy Hybrids! (Up To 12% Protein)

- WX46 • WX46B
- WX62



Gutwein Has Proven Yields PLUS DISCOUNTS TO SAVE YOU MONEY!

- 7% Cash Discount Available til Jan. 31
- 6% Cash Discount After Feb. 1st
- Volume Discounts Also Available To Qualified Buyers. Call For Details And The Name Of Your Nearest Dealer.

HAROLD J. DIETRICH

RR1, Box 139-D, Myerstown, Pa. (717) 933-4940

Dealerships Available In Selected Areas

PROMESOL Chelating Agent

Product of C.S.I. Chemical Corp.
A Great Source of Calcium!

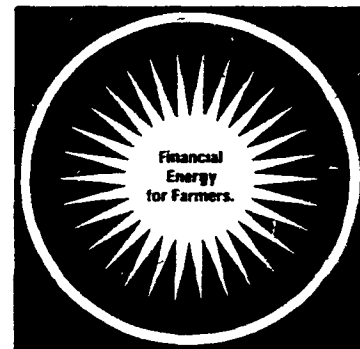
Let Us Help Your Crop Yield-Potential

Distributor
PARS, Incorporated
Elizabethtown, PA

Contact:

PHARES AUKER
717-367-2667
717-367-1589

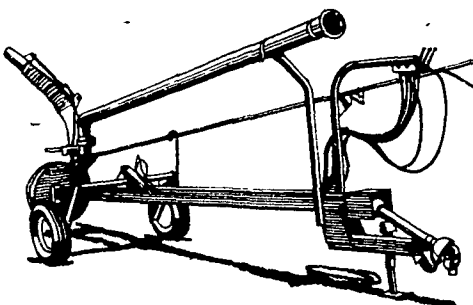
ROBERT KUIPERS
717-299-2095
717-367-1589



FARMERS AgCREDIT

CORP.
9 East Main Street, Litz, PA. 717-626-4721

Look For The Right One!

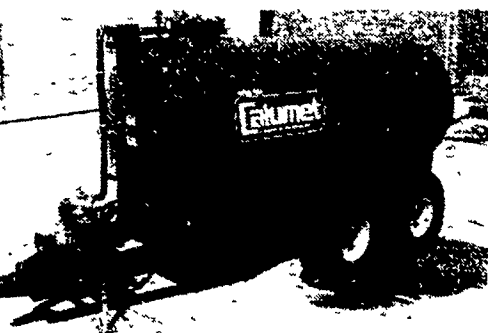
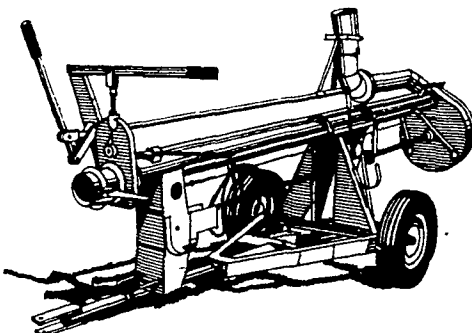


Vertical-Shaft Pump

Open Pit Pump

Pumps any size lagoon with 2:1 slope wall so you don't need docks or loading platforms. Delivers 5,500 gallons per minute. Driven at 540 RPM from tractor PTO. Heavy-duty 25-inch impeller. 25' length, with optional extension to pump the deepest pits. Loading pipes and hydraulics included.

Also Available In Stock



Tank Models S-3250, S-4500; injectors available.

"LIQUID MANURE EQUIPMENT IS OUR ONLY BUSINESS"

CALUMET DISTRIBUTOR

F. ERNEST SNOOK

RD 3 - Box 84, Mifflinburg, Pa. 17844 - Phone: 717-966-2736