

# Livestock market and auction news

## Leesport Auction

Wednesday, Jan. 12

Report supplied by PDA

**CATTLE:** 277. Compared with last Wednesday's market: Slaughter steers grading Good & Choice .50-1.50 higher; Sl. cows .50-1.50 higher; Sl. bulls 1.00-2.00 lower; Sl. steers: High Choice & Prime 1200-1400 lbs. 61.25-63.10, few to 65.00; Choice 925-1200 lbs. 59.50-61.50; Good 55.00-59.50; Standard 51.00-55.10; few Utility & low Standard 44.00-48.75. Sl. heifers: few Choice 58.50-60.75; few Good 54.50-54.75; few Standard 46.25-53.00. Sl. cows: Utility & Commercial 39.60-42.10, few to 43.25; Cutters 38.00-41.00; Canner & L. Cutter 34.00-37.75. Sl.

bullocks: Good 53.00-56.75, one at 60.50; few Standard 49.50-53.50. Sl. bulls: Yield Grade No. 1, 1270-2120 lbs. 48.85-54.75, few to 57.00; Grade No. 2, 900-1180 lbs. 44.00-46.75.

**FEEDER CATTLE:** Bulls, few Medium Frame No. 1, 400-600 lbs. 45.00-56.00.

**CALVES:** 147. Vealers grading Standard & Low Good steady to strong. Few Choice 80.00-91.00; few Good 78.00-80.00; few Standard & Good 115-125 lbs. 65.00-75.00; 90-110 lbs. 50.00-52.00; 70-90 lbs. 45.00-50.00; Utility 55-95 lbs. 32.00-45.00.

**FARM CALVES:** Hol. Bulls 90-120 lbs. 55.00-79.00, mostly 63.00-73.00; few Hol. Heifers 95-110 lbs. 60.00-71.00.

**HOGS:** 273. Barrows and gilts

steady to .50 higher. US No. 1-2 210-245 lbs. 57.85-58.50, few to 61.25; No. 1-3 205-265 lbs. 57.10-58.00; No. 2-3 245-325 lbs. 55.00-57.25; few No. 1-3 150-160 lbs. at 50.50; Sows .75-2.00 lower. US No. 1-3 300-640 lbs. 45.75-49.00; few Medium 335-400 lbs. 43.50-44.00. Few Boars 43.00-43.50; few Lightweights 50.00-50.50.

**FEEDER PIGS:** 118. One lot US No. 1-3 25 lbs. at 140.00 per hundredweight; No. 1-3 30-50 lbs. 100.00-120.00 per hundredweight.

**SHEEP:** 14. Few Choice 50-60 lbs. new crop lambs 71.00-80.00, one lot at 107.00; few Good & Choice 55-110 lbs. woolled lambs 50.00-53.00. Few Sl. ewes: 15.00-21.00.

**GOATS:** 6 Few 21.00-42.00 per head.

## Carlisle Auction

Carlisle, Pa.

Tuesday, Jan. 11

Report supplied by auction

**CATTLE:** Steers were 3.00 higher; Heifers were 2.00 higher; Cows were steady; Bullocks were steady; Bulls were 2.00 higher. Steers: No Choice offered; Good 54.50-57.50; Standard 50.75-52.00; Utility 50.00 Down. Heifers: Low Choice 53.75-55.50; Good 51.25-52.25; Standard 47.25; Utility 45.00 Down. Cows: Earlybird Pen 2.00 higher! Utility & Commercial 39.00-41.00; Cutter 36.50-39.50; Canner & Low Cutter 34.60-37.00; Shells 33.00 Down. Bullocks: No Choice offered; Good to 53.25. Bulls: Yield Grade No. 1, 52.00-52.50; Yield Grade No. 2, Down to 47.00.

**FEEDER CATTLE:** Steers were 4.00 higher; Heifers were steady; Bulls were 4.00 higher. Steers: Good 480-680 lbs. 55.00-60.00; Medium 755-765 lbs. 45.50-48.00; Medium 415 lbs. 49.00. Heifers: Medium 470-565 lbs. 38.00-44.00; Medium 505-560 lbs. 44.00-48.50; Medium 630-720 lbs. 40.50-46.50. Bulls: Good 450-480 lbs. 55.00-57.00.

**CALVES:** Vealers were 6.00 higher; Back to the Farm Calves were 29.00 higher for Hol. Bulls and 15.00 higher for Hol. Heifers. Vealers: Choice 80.00-98.00; Good 65.00-80.00; Standard & Good 55.00-64.00; Light & Weak 54.00 Down. Farm Calves: Hol. Bulls 93.00-103.50; Hol. Heifers 80.00-95.00.

**HOGS:** 1.00 higher! US No. 1-2, 56.50-58.85; US No. 1-3, 55.50-56.75. Sows: Steady. US No. 1-3, 49.75-52.00; No. 2-3, 47.00-52.00. Boars: 1.00 higher! Light 45.00-49.00; Heavy 40.75-42.00.

**SHEEP:** Lambs: Too few to test market. Goats: 31.00-62.50 head.

**FEEDER PIGS:** US No. 1-3, 25-

30 lbs. 28.00-33.00 Hd. No. 1-3, 31-35 lbs. 40.00-45.00 Hd. No. 1-3, 50-55 lbs. 44.00-58.00 Hd.

**HAY:** 100.00 ton Clover. Firewood: 25.00 pick-up load.

## Four States Livestock

Hagerstown, Md.

Wednesday, Jan. 5

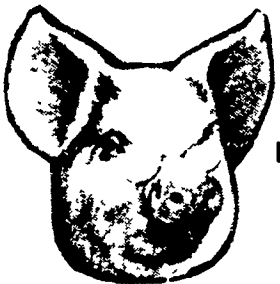
Report supplied by auction

**SLAUGHTER:** Fed Steers- \$1.00 Lower. Choice 58.50-57.50; Good 53.00-56.00; Medium 52.00 down. Heifers- Good 46.00-50.00; Medium 45.00 Down. Cows- \$1.00 lower. Individual at 48.00; High Yield 40.50-41.75; Average 37.00-40.00; Big Middle 34.00-36.00; Fatty Heif. 33.00-35.00; Shelly 35.00 down. Fat Bulls- \$1.50 Lower. Good 47.00-51.00; Medium 43.00-46.00. Veal Calves- Mostly steady; No Choice offered; Good 70.00-78.00; Medium 60.00-69.00; Farm Hfns. to 75.00; Farm Bulls to 80.00; Light & Weak 42.00 Down. Lambs- \$3.00 higher. Good 50.00-55.00; Medium 49.00 Down.

**STOCKER:** Steers 300-550 lbs. Good run \$3.00 higher. Choice 60.00-65.00; Good 54.00-59.00. Medium 49.00-53.00; Culls 48.00 Down. Steers 600-850 lbs. Choice 56.00-60.00; Good 50.00-55.00; Medium 49.00 Down. Heifers (All weights) Choice 50.00-55.00; Good 44.00-49.00; Medium 43.00 down. Bulls- Choice 52.00-58.00; Good 46.00-51.00; Medium 45.00 Down. Dairy Cows to 600.00. Springing Heifers to 785.00. Pigs, hd.- Steady prices. 20-30 lbs. 25.00-39.00; 40-60 lbs. 40.00-55.00. Shoats by lb. to 60.00. Slaughter Hogs- \$1.00 higher. 210-230 lbs. 55.00-55.50; 240-280 lbs. 55.25-55.75; 285-275 lbs. 54.75-55.75. Sows \$45.00-50.25; Thin Sows 40.00-44.00.

General Hauling  
Serving Lancaster, York &  
Chester Counties up to  
100 mile radius  
**Shelled & Ear Corn  
Grain  
Hay & Straw  
Lumber or Wood  
Silage  
Sawdust  
Tobacco  
Manure**  
Whatever it is call  
**717-786-1882**  
day or night

PRODUCE PORK FOR PROFIT  
**1982**



We have a special program for a limited number of **HOG FINISHING UNITS** Financing, Supervision and Marketing

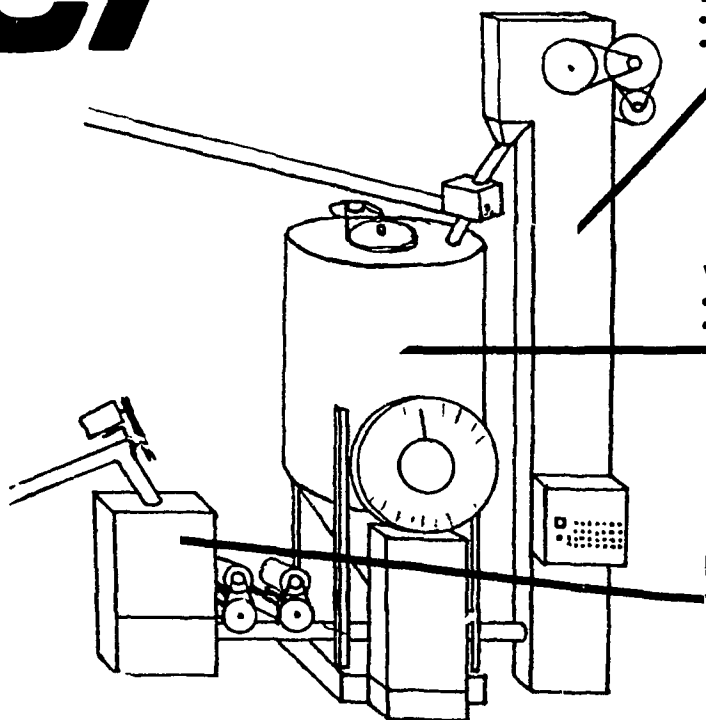


More to Gain

Call and arrange for appointment to see if you qualify.  
**717-872-5646**  
Thomas Farm Supplies



**THE FARM SIZE  
MILLING SYSTEM  
THAT WEIGHS  
EACH INGREDIENT**



**BUCKET ELEVATOR**

- Galvanized construction
- Low horsepower requirement

**VERTICAL MIXER**

- Galvanized construction
- Steep slope hopper eliminates feed channeling

**HAMMER MILL**

- Powerful magnets remove metal before entering grinding compartment

- \* Completely Automatic
- \* Memorizes Complete Rations
- \* Easily Adopted to Existing System
- \* Financing Available

For More Information,  
Call or Write  
Today:



automatic farm systems

608 Evergreen Road  
Lebanon, PA 17042  
**(717) 274-5333**