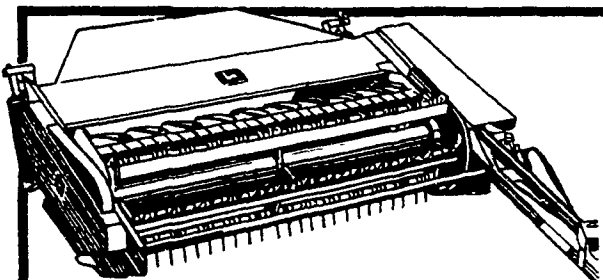


# DOUBLE THE BONUS SALE

Pick a Team of Hay / Forage Tools and John Deere will double the bonus on both!

Take delivery on any John Deere mower/conditioner ordered during this program — get a John Deere money bonus. Take delivery on a new John Deere square baler, round baler or PTO forage harvester ordered during this program — get a John Deere money bonus. But if you pick a team — a mower/conditioner plus a

baler or PTO forage harvester — on the same order, you'll qualify for a double bonus on both tools! There's more: finance with John Deere and have finance charge waived to the 1983 season of use in this area. Waiver on Hay Equipment till May 1, 1983.



## JOHN DEERE 1209 MOWER CONDITIONER

9 Ft.

\$7,170.00  
**BONUS - 400.00**  
**\$6,770.00**

## JOHN DEERE 327 BALER

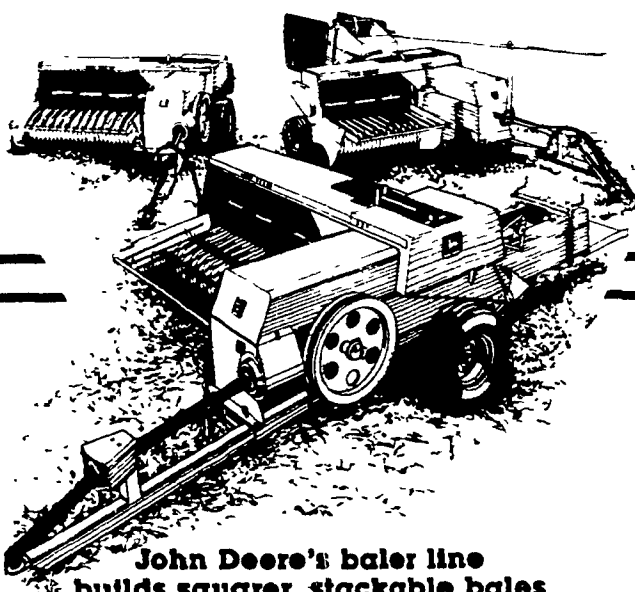
with

- 64" Pickup w/88 Teeth
- High Flotation Tires
- 3 Joint PTO, Equal Angle Hitch
- Pickup Gauge Wheel
- Wagon Hitch & Bale Chute Extension

\$6,130.00  
**BONUS - 300.00**  
**\$5,830.00**

### If Bought As A Team With The 1209 Mower Conditioner:

327 Baler..... \$6,130.00  
 1209 Mower  
 Conditioner ... 7,170.00  
**\$13,300.00**  
**BONUS - 1,400.00**  
**\$11,900.00**



John Deere's baler line builds squarer, stackable bales

## JOHN DEERE 327 BALER

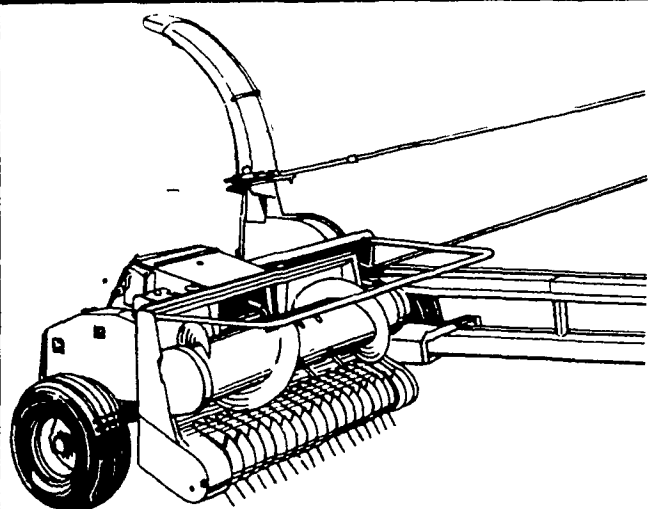
with

- 30 Bale Ejector
- Manual Distance Control
- Hydraulic Arming Control
- Wagon Hitch

\$7,660.00  
**BONUS - 300.00**  
**\$7,360.00**

### If Bought As A Team With The 1209 Mower Conditioner:

327 Baler & 30 Ejector . \$7,660.00  
 1209 Mower Conditioner. 7,170.00  
**\$14,830.00**  
**BONUS - \$1,400.00**  
**\$13,430.00**



## JOHN DEERE 3940 FORAGE HARVESTER

with

- High Flotation Tires
- Electro-Hyd. Controls
- Auto. Wheel Hitch
- Hyd. Downstop Control
- 2 Row Row-Crop Narrow Corn Head
- 1000 RPM PTO
- Hyd. Tongue Positioners
- Spout Wear Plates
- 5½ Ft. Hay Pickup

14,320.00  
**BONUS - 400.00**  
**\$13,920.00**

The John Deere 3940 Powr-Mizer keeps your horsepower from blowing away

### If Bought As A Team With The 1209 Mower Conditioner:

3940 Harvester . . . \$14,320.00  
 1209 Mower  
 Conditioner . . . . . 7,170.00  
**\$21,490.00**  
**BONUS - 1,600.00**  
**\$19,890.00**



# ABC GROFF, INC.

STORE HOURS  
 Mon. Tues Wed 7-5  
 Thurs. Fri 7-9  
 Sat 7-4  
 Parts 717-354-4191  
 Sales 717-354-4731  
 Service 717-354-8004

Since 1890  
 110 S. Railroad Ave  
 New Holland, PA 17557

**OPEN THURSDAY AND FRIDAY UNTIL 9 P.M.**



OUR TRUCKS ARE RADIO CONTROLLED