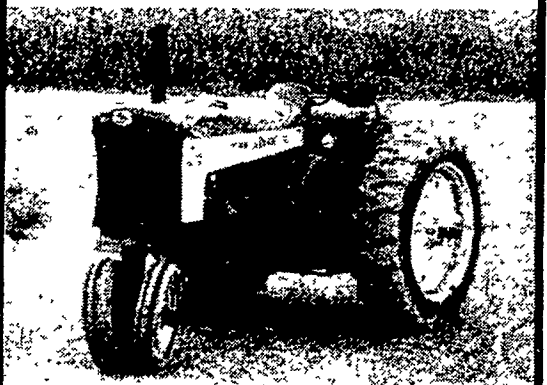




IH 615 GAS COMBINE
13 ft. Cutter Bar, Robot Head
- Not Shown: 724 Corn Head
(2 Row Wide)
\$7,000.00



JD 730 DIESEL TRACTOR
3 pt. Hitch, Electric Start
\$2,500.00

W.N. COOPER & SONS, INC.
Morgnac Rd. Rt. 291
Chestertown, Md.
301-778-3464



NEW LEADER Lime & Fertilizer Spreaders

HI-WAY Cinder Spreaders - All Types

FRINK & VALK Snow Plows

ANNVILLE BODY CO.

P.O. Box 217, R.D. #3
Anncville, Pa. 17003
Phone 717-867-4631

1976 JD combine, 4400 diesel, 13' grain head; Brand new 444 four row corn head, exc. cond., 1212 hours, no further use, must sell. Asking \$21,000 or best offer.

Taylor's Rolling Green Farm
Long Valley, NJ
201-879-6678

COUNTRY HOUSEWARES STORE

FALL SALE

Two weeks Sept. 23 till Oct. 9
Great Savings on Items Listed Below
FABERWARE

- 1½ qt. sauce pan
- 2½ qt. sauce pan
- 3 qt. sauce pan
- 4 qt. sauce pan
- 6 qt. sauce pan
- Rubbermaid 2½ qt. pitcher
- Rubbermaid self-closing waste baskets
- 21 qt. canner
- Seymour laundry carts
- 13 qt. stainless buckets

- Bathtowels - washcloths
- Pillow cases - full sheet sets
- 80x90 fitted sheets, Velox blankets
- Full fitted sheets, blankets
- Melmac soup, plates, dinner plates, veg. dishes
- 12 qt. sauce pot
- 7 in. frying pan
- 8½ in. frying pan

Reuben Beiler

Take south Groffdale Road off Rt. 23 till first road left on Musser School Road.

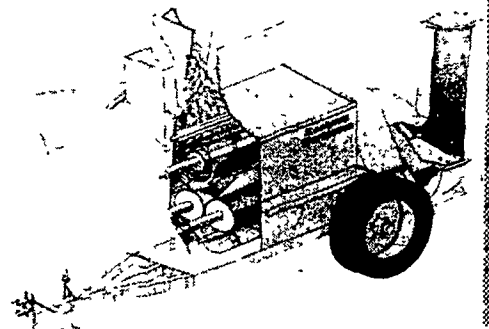
COUNTRY HOUSEWARES STORE

601 Musser School Rd.
Leola, PA 17540

FARM EQUIPMENT

FARM EQUIPMENT

Workhorse



Roskamp's Portable Mill provides. Custom processing. For every purpose. Where you need it. Silos. Pits. Bunkers. When you need it. No down time. No expensive delays.

With solid-to-the-shaft white iron rolls, the Workhorse toughs it out. Ton after ton. Day after day. Built to last. For the big jobs. Little jobs. Whether grain, ear corn or silage mill Roskamp delivers.

Get the Workhorse. Put a Roskamp Portable Roller Mill on your farm. And on your side.

MACHINE AVAILABLE FOR RENT



NORMAN D. CLARK & SON
Honey Grove, PA 17035
Phone 717-734-3682
Located 14 Miles South of Port Royal on Rt. 75

HENKE

Henke Roller Mills and Ear Corn Crusher

Henke Roller Mills process wet or dry-shelled corn, ear corn, barley or milo.

You may add 25 per cent or more to existing storage just by processing wet grain thru a Henke Roller Mill. The uniform particles pack in tightly, taking less space. Because there's more grain, there's less air - so feed stays fresh, palatable.

Don't worry about harvest slow-down, either. Henke has the capacity to fit your operation with corrugations to handle your grain.

Why dry when processing wet grains with a Henke mill requires less time at a fraction of cost - and you get more feed value. You don't have to transfer grain from dryer to storage. Processing wet grains eliminates investments in driers.

Harvesting early - when grain is 25 per cent to 30 per cent moisture - has long been possible with Henke mills. Field losses are reduced by early harvest and winter weather is avoided.

Feeding value of grain is enhanced by processing it with a Henke mill. Granulation by Henke mills allows activation by rumen bacteria for proper assimilation of feedstuffs.

Even silage with whole corn kernels has its feeding values enhanced by processing thru a Henke Roller Mill. Dairymen in Southeast United States have obtained a sizeable increase in milk production by processing their silage thru a Roller Mill to assure that all kernels are cracked.

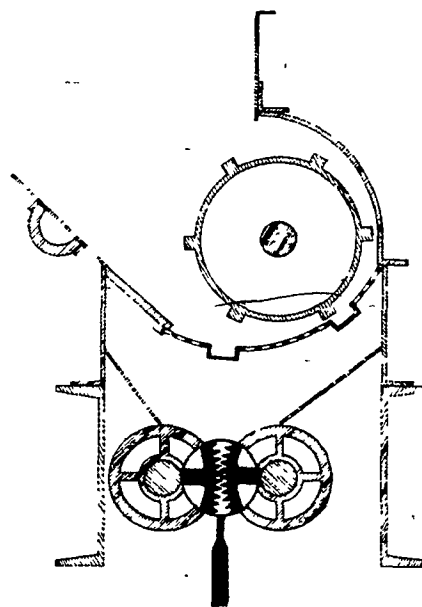
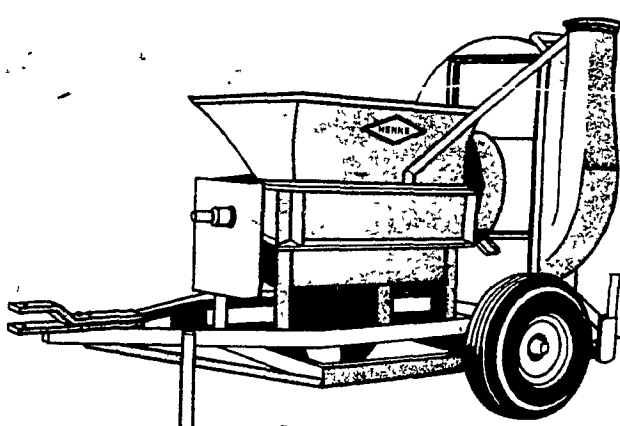
You can put cattle on full feed earlier with ear corn, eliminate dust and digestive troubles. Livestock are furnished with the proper roughage grain balance.

1 Unit Available For Rental

- Call to reserve for your use -
540 RPM with Hydraulic Driven
Paddle Elevator

\$250 per day

Over 50 ton, \$4.50 per ton



Cutaway Of Crusher Head & Rolls
With Corrugation Enlarged

ABC GROFF, INC.

Since 1890
110 S. Railroad Ave.
New Holland, PA 17557

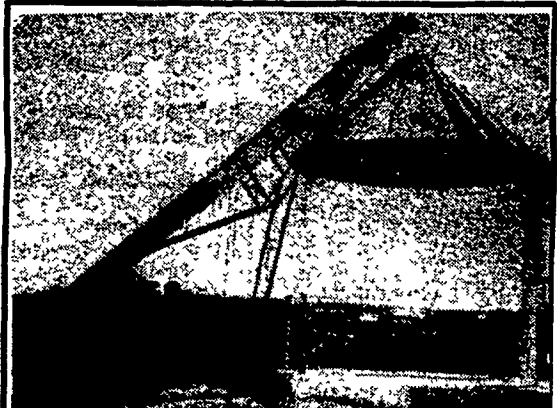
STORE HOURS
Mon., Tues., Wed: 7-5
Thurs., Fri: 7-9
Sat: 7-4



Our Trucks Are Radio Controlled

Parts 717-354-4191
Sales 717-354-4731
Service 717-354-8004

OPEN THURSDAY AND FRIDAY UNTIL 9 P.M.



ZIMMERMAN PORTABLE ELEVATORS

Will Carry Your Corn & Hay
28 ft. \$1175
32 ft. \$1250

* 36 ft. and 40 ft. also available
Limited Supply At These Prices

BEHLEN CORN CRIBS

SPECIAL 1200 BU. \$839

• Offer Expires Oct. 8, 1982

• In Stock Only

1600 Bu Also Available



ADAPTABLE TO MOST APPLICATIONS

WISCONSIN ENGINES



Sales and Service

TRACTORS

8N Ford, Excellent. \$1750
MM GVI \$2400
Case 930 Comfort King Diesel \$3400
NI 323 Cornpicker, Excellent \$3350



NEW HESSTON 3800 RAKE \$1695
NEW 1091 HESSTON WINDROWER. . \$6750
NEW 7140 HESSTON HARVESTER . . \$5600

SALES & SERVICE

MILLER'S REPAIR

1 Mile North of Bird-in-Hand
8 Miles East of Lancaster
RD 1, Bird-in-Hand, PA Ph: 717-656-6109