

Livestock market and auction news

Lancaster Co. Weekly (Continued from Page A2)

lower; Bullocks uneven, few early sales firm to 2.00 higher, this advance lost with closing sales 1.00-1.50 lower; Bulls 1.00-2.00 higher, extremes early 3.00 higher. Supply included 46% Slaughter Steers, 5% Slaughter Heifers, 16% Cows, 6% Bulls; balance Feeder Steers, most held for Friday's Auction.

SLAUGHTER STEERS: High Choice and Prime 3-4 1140-1400 lbs. 64.25-66.75, few 66.75-67.50; Good and Choice 1-2 1100-1450 lbs. 63.50-66.50, around 20 head 66.50-67.25, eight head 68.00-69.50; Choice 2-4 1050-1375 lbs. 60.75-64.50, few 64.50-65.50; Choice 2-3 975-1050 lbs. 60.00-63.00; High Good and low Choice 2-3 1050-1350 lbs. 58.00-62.00; Good 2-3 54.50-59.00; Good and Choice 1150-1450 lbs. Holsteins 53.00-57.50, few head 57.50-59.50, Good 50.00-53.00; Standard 1-2 47.50-51.00.

SLAUGHTER HEIFERS: Part

load Prime 3-4 1100-1335 lbs. 61.35-62.85; Choice 2 1000-1150 lbs. 58.50-63.35; Choice 2-3 875-1100 lbs. 55.50-60.00; Good 2-3 850-1000 lbs. 50.00-54.75.

COWS: Utility and Commercial 1-3 41.00-44.00, few head early 45.00-47.25; Cutter 1-2 37.00-42.00, few Early 42.00-44.00; Canner and Low Cutter 33.75-38.00, few early 38.00-39.50.

BULLOCKS: Choice 975-1350 lbs. 55.00-58.50, several early part of week 58.50-63.00, couple 64.00-67.35; Good 850-1250 lbs. 48.75-55.00.

BULLS: Yield Grade 1 1300-2000 lbs. 53.00-58.50, few 58.50-60.50, around a dozen head early 62.75-65.60, individual 1910 lb. 67.75; Yield Grade 2 1000-1350 lbs. 48.50-52.50.

VEAL CALVES: Vealers uneven, Choice and Prime mostly steady, high Good and low Choice weak to 5.00 lower. Demand fair for calves to return to farm.

VEALERS: Prime special fed 240-350 lbs. 115.00-120.00; Choice 140-250 lbs. 90.00-110.00, few 110.00-120.00, 250-300 lbs. 86.00-95.00; High Good and Low Choice 160-280 lbs. 75.00-90.00, few 90.00-98.00, 230-300 lbs. 70.00-85.00, 120-140 lbs. 65.00-75.00, 80-115 lbs. 52.00-64.00, few 70-80 lbs. 50.00-55.00; few Standard 50-75 lbs. 32.00-40.00.

SLAUGHTER CALVES: Good and Choice 200-450 lbs. 55.00-65.00, few 65.00-70.00.

RETURNED TO FARM: Bulk 90-115 lbs. Holstein Bulls 63.00-75.00, few 75.00-85.00. Bulk 90-115 lbs. Holstein Heifers 85.00-99.00, few small frame 64.00-80.00.

Eighty-Four Livestock

Eighty-Four, Pa.
Monday, September 13
Report supplied by PDA
CATTLE 443: Slaughter cows 50-1.00 lower. Few Choice slaughter steers 63.00-64.00, Good

55.00-63.00, Standard 51.00-55.00, few Utility 48.00-51.50. Choice slaughter heifers 61.00-63.00, few Good 58.00-61.50, few Standard 46.00-50.00, Utility 43.00-47.00. Utility & Commercial slaughter cows 40.00-43.00, one 45.00, Commercial yield grade 4-5, 36.00-40.00, cutters 35.00-40.50, Canner & Low Cutters 30.00-37.00, Shells down to 19.00. Yield Grade #1, 1000-1700 lbs. slaughter bulls 50.00-54.50, #2, 900-1500 lbs. 44.00-50.50. Medium Frame #1, 450-700 lbs. feeder steers 54.00-62.00. Medium Frame #1, 400-600 lbs. feeder heifers 50.00-58.00.

CALVES 344: Choice vealers 80.00-85.00, few 90.00, Good 64.00-81.00, Standard and Good 90-120 lbs. 52.00-64.00, 60-85 lbs. 41.00-53.00, Utility 80-120 lbs. 30.00-40.00. Farm Calves: Hol. Bulls 90-135 lbs. 63.00-90.00; Hol. Heifers 80-120 lbs. 60.00-80.00. Good and Choice 260-350 lbs. slaughter calves 50.00-60.00.

HOGS 106: Barrows and gilts .25-.50 lower. US No. 1-2 200-250 lbs. barrows and gilts 65.00-66.00, few 66.50, No. 1-3 200-260 lbs. 64.00-65.20, No. 2-3 275-340 lbs. 60.00-63.00, No. 1-3 130-180 lbs. 56.50-60.50. US No. 1-3 300-500 lbs. sows 57.00-60.00, few No. 2-3 350-500 lbs. 55.00-57.00. Boars 37.00-49.00.

FEEDER PIGS 12: US No. 1-3 30-35 lbs. feeder pigs 28.00-31.00 per head.

SHEEP 379: Spring slaughter lambs steady. Choice 80-97 lbs. spring slaughter lambs 50.00-55.50, Good 70-90 lbs. 47.25-50.50, Utility 45-67 lbs. 40.00-47.50. Slaughter sheep 13.00-16.00. Goats 15: 13.50-62.00 per head.

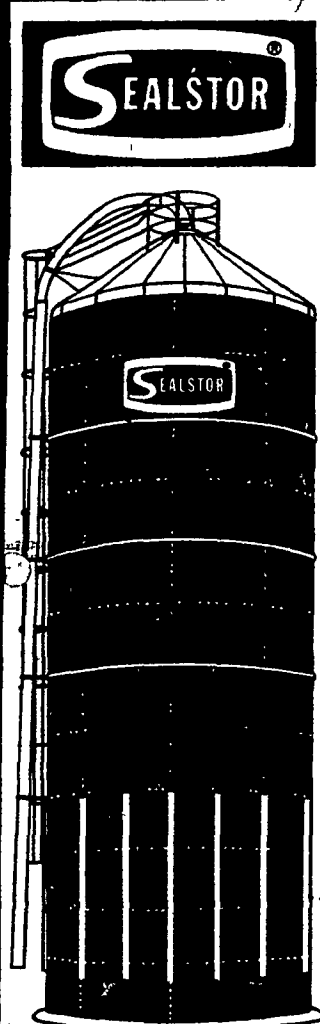
Omaha Cattle

Omaha
Thursday, Sept. 16, 1982
Report supplied by USDA

CATTLE 51: Compared to previous week's close, slaughter steers and heifers ended the week 1.50-2.50 lower. Cows 1.00-1.50 lower. Bulls steady. Fed. Cattle prices fell to their lowest levels since January of 1982; with the majority of the decline coming on Monday's enlarged receipts. A 1.00-3.00 drop in carcass beef realizations was the prime factor in the downturn; but pressure also attributable to more liberal available numbers and an increased slaughter rate. Overall finish just fair, although some increase in numbers of yield grade 4 apparent in the receipts. Annual Audubon Iowa T-bone sale on Thursday accounted for 1200 cattle in week's total. Steers comprised 38 pct. of week's receipts; heifers 35 pct; cows 5 pct; feeders 21 pct. Four-day receipts 9890; last week 8715; year ago 11902.

STEERS: At the close, six loads Choice 2-3 1150-1325 lbs. 63.00. Choice 2-4 1050-1225 lbs. 61.00-62.50. Mixed Good and Choice 2-3 1000-1150 lbs. 60.00-61.00. Few good 59.00-60.00.

HEIFERS Choice 2-4 925-1025 lbs. 58.50-60.00. Mixed Good and Choice 2-3 900-1000 lbs. 57.50-58.50. Good 56.00-57.50. Average of LS-214 detailed quotations for Choice 900-1100 lb. steers 61.62; 1100-1300 lbs. 62.38. Three day average cost steers 61.29, average weight 1128 lbs., as compared 64.04 and 1116 lbs. A week ago. Three day average cost heifers 58.82, average weight 973 lbs., as compared 61.44 and 977 lbs. A week ago.



CUTS FEED COSTS

SEALSTOR HAS THE "EFFICIENT SYSTEM"

A System That Enables You To:

1. REDUCE NUTRIENT LOSSES
2. BALANCE A CHEAPER RATION
3. BUY LESS FEED AT THE STORE
4. INCREASE CASH FLOW

A System That Offers You!

1. GLASSFUSED TO STEEL STRUCTURES
2. LAIDIG UNLOADERS
3. SERVICEABILITY/LOWER COST
4. 3 YEAR UNLOADER WARRANTIES
5. PROFESSIONAL CUSTOMER SERVICE

1 Unloader For Ground Ear or Shelled Corn

Stop By And See Us At The
Bloomsburg Fair Sept. 27 thru Oct. 2

**GRAIN STRUCTURE
TIME IS NOW!**

FOR SALE
High Moisture
Corn w/Oats

CALL TODAY FOR A FREE
NO OBLIGATION QUOTATION

**PENN DUTCH FARM
SYSTEMS, INC.**
1730 Highway 72 North
Lebanon, PA 17042
717-273-9324

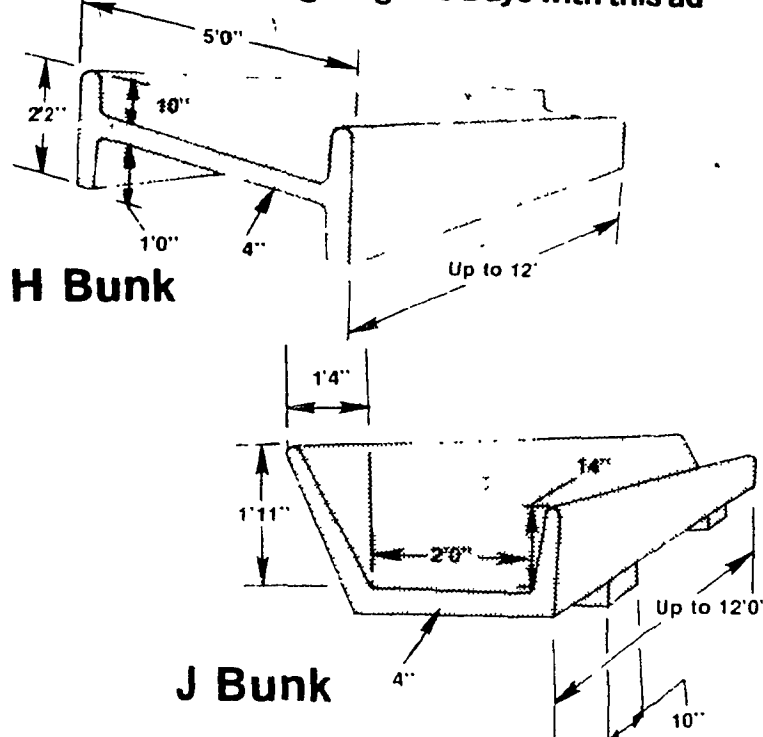
**NORTH PENN SEALSTOR
SYSTEMS, INC.**
RD #5 Central Road
Bloomsburg, PA 17815
717-387-1422

AREA REPRESENTATIVES
Russell Darkes, Jr. 717-273-9324
Al Burkholder 717-733-9714
Larry Greene 717-273-9324
René Pfalzgraf 717-393-2390
Paul Zimmerman 215-488-6077

AREA REPRESENTATIVES
Dan Rarig 717-799-5822
717-387-1422
Harry Fenwick 717-799-0091
717-387-1422
Harry Guillaume 717-634-3131
Tom Dunlap 717-398-1391
Dave Williams 717-398-1395
Glynn Corey 717-289-4751
Gary Sheard 717-729-7102

5% OFF ON ALL CONCRETE FEED BUNKS

Ordered at Ag Progress Days with this ad



Also see us for

Paved, Sealed and Conventional Silos

- ★ Precast bunker silos
- ★ Manure Pits
- ★ Cattle Guards
- ★ Hog Slats

Jamesway & Laidig Sales & Service

**Sollenberger
Silos Corp.**

A Nitterhouse Company
Box N Chambersburg, Pa. 17201
(717) 264-9588

A Producer of Quality Concrete Products Since 1923