

# Allentown Fair

(Continued from Page A28) Lady, a 4-year-old daughter of Grand Champion Guernsey was awarded to Foxy Spring Falcon's reserve grand champ was Lin-



Patricia Jenkins, right, of Toughkenamon, Chester County, exhibited the grand and reserve grand Jerseys at Thursday's show. Sister Elizabeth holds the grand champion, Clearview Criterion Holly, while Patricia holds the reserve Clearview Samson H Brook.

denhoff Dari Midas Reta, a 5-year-old daughter of Quail Roost Dari Midas.

In Jersey competition, Patricia Jenkins, 20, of Toughkenamon, Chester County, claimed both Grand and Reserve Grand rosettes with her aged cow and 2-year-old entries.

Grand champion Clearview Criterion Holly is a Criterion daughter; and reserve grand Clearview Samson H Brook is a Gramhil Leader Sophia Samson daughter. These were the first championships won by the pair of Jeseys.

Seventeen-year-old Connie Ohlinger, Mohrsville, Berks County, led her 2-year-old Holstein to the grand championship of the black and white show. Reu-Hel Farms Milestone Susie moved up from the previous day's showing, having been pinned Reserve Senior and Reserve Grand of the youth show. Susie is a Poverty Hollow Milestone daughter, bred to Elevation.

Ohlinger also had the Junior Champion entry of the open show. Reu-Hel Farms Willow Shavon, a Willow Farm Rockman Ivanhoe daughter, stood at the top of her senior yearling class, before claiming the top Junior honors.

Bryan Urmy, 18, of Coopersburg,

Lehigh County, took Junior Champion and Reserve Grand honors in the Brown Swiss show. Buzzer Acres Roxanne, an intermediate calf, is sired by Rolling View All-Plus. Bryan, the son of Ralph and Jean (Turn to Page A33)



Jon Zollers, 16, of Mertztown, Berks County, left, holds the grand champion Guernsey cow, four-year-old Foxy Spring Falcon's Lady, while brother Bill is at the reserve's halter, 5-year-old Lindenhoff Dari Midas Reta.

The sign of  
the times...



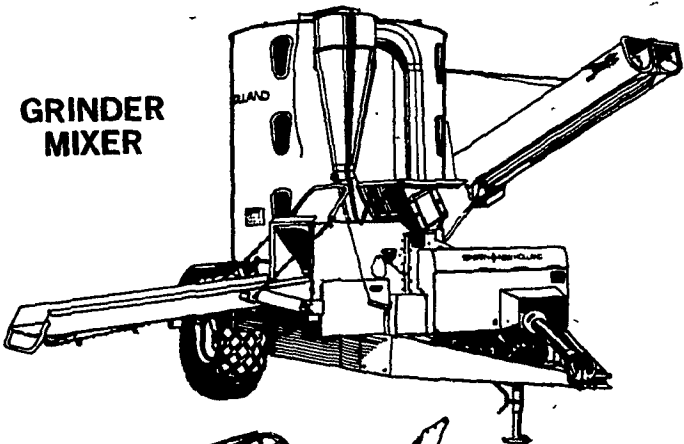
is here.

SEE OUR LARGE  
DISPLAY OF  
SPERRY NEW HOLLAND  
EQUIPMENT

AT  
THE SOLANCO FAIR  
Sept. 15-17

Featuring  
THE NEWEST NEW HOLLAND BALER

GRINDER  
MIXER



FREE FINANCE ON  
FORAGE EQUIPMENT

Till September, 1983

HAY TOOLS

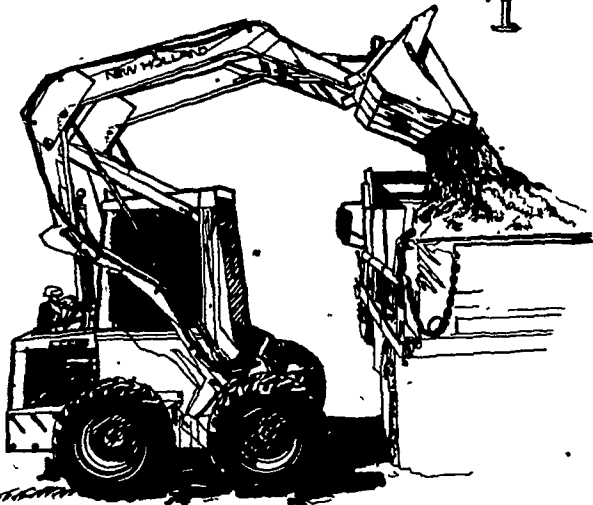
June 1st 1983

OR

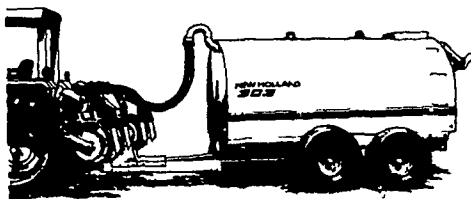
0% With Payment  
Starting in 30 Days

The ultimate  
finance  
rate....

0%



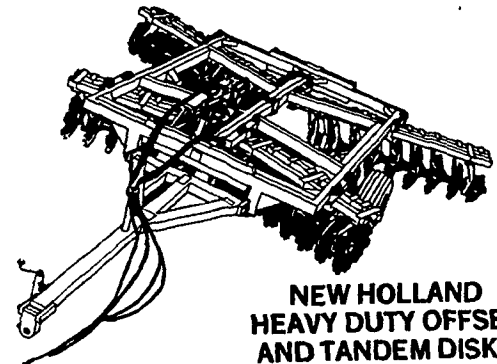
MODEL L-445 UTILITY LOADER



N.H. 303 LIQUID SPREADER

We're Here to Sell  
We're Here to Service  
Try Us Out

LET US TEAR YOU  
UP WITH THE  
NEW HOLLAND DISK



NEW HOLLAND  
HEAVY DUTY OFFSET  
AND TANDEM DISKS

YOUR SPERRY-NEW HOLLAND DEALER

**C.E. WILEY & SON INC.**

101 S. LIME STREET

QUARRYVILLE, PA.

PHONE (717) 786-2895