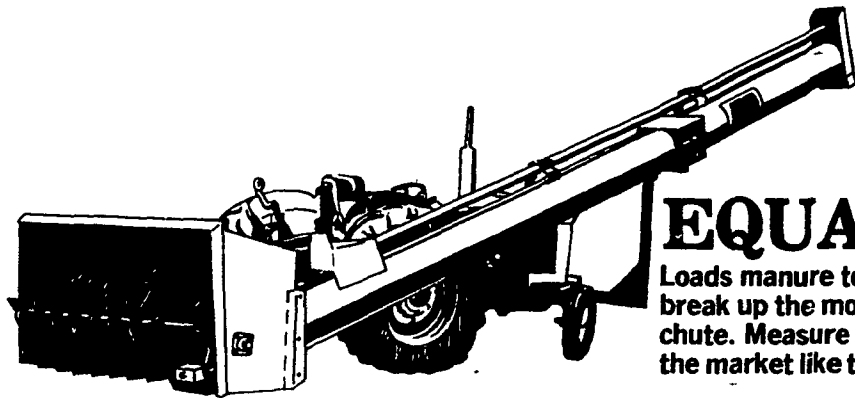


**Come see the equipment that
can solve your manure
handling problems at
AG PROGRESS DAYS
August 24 - 26th**

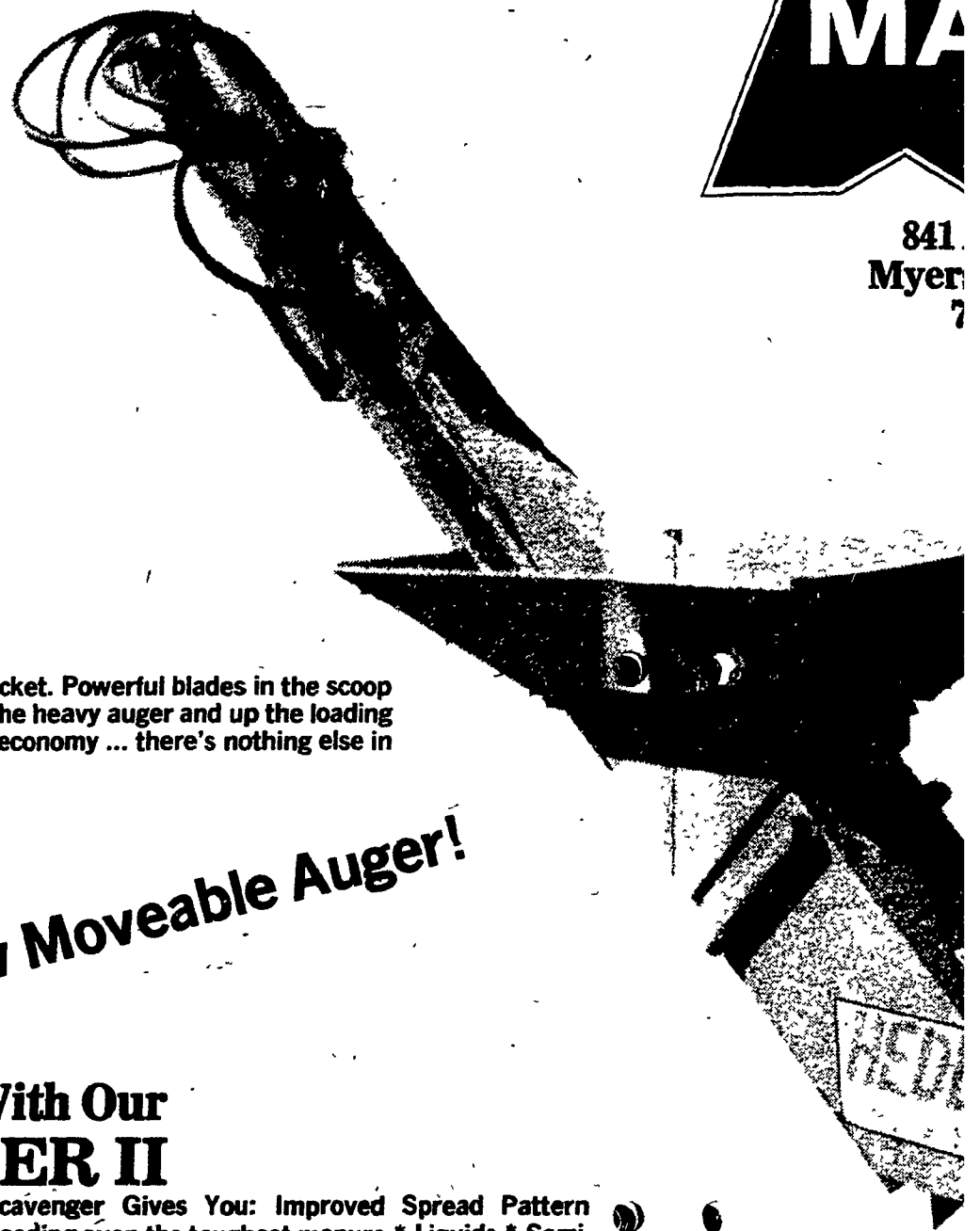


841.
Myer
7

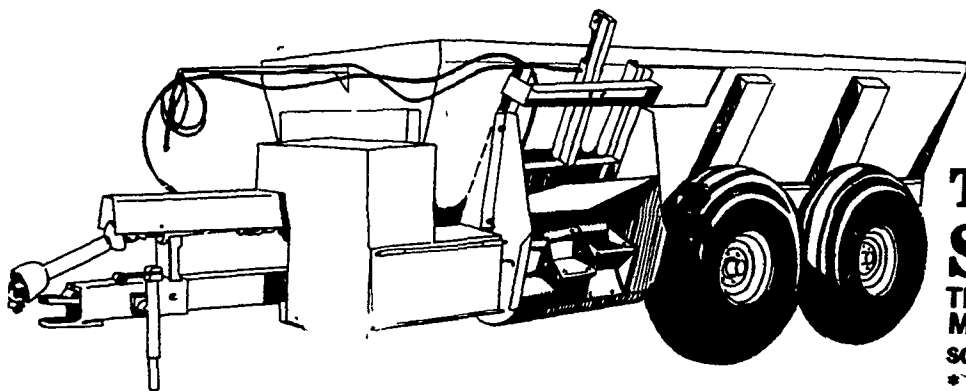


EQUALIZER

Loads manure too thick to pump and too thin to bucket. Powerful blades in the scoop break up the most crusted manure — force it into the heavy auger and up the loading chute. Measure the loading power ... measure the economy ... there's nothing else in the market like the EQUALIZER.



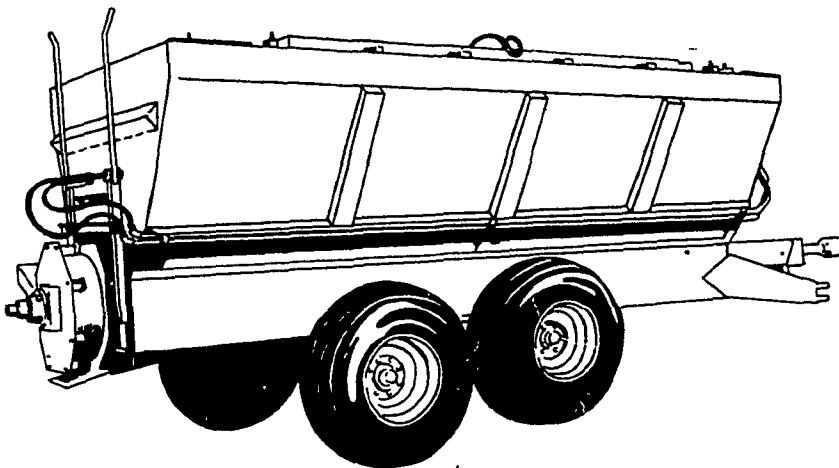
★ **New Moveable Auger!**



**To The Field With Our
SCAVENGER II**

The Second Generation Scavenger Gives You: Improved Spread Pattern
Movable Auger — allows unloading even the toughest manure * Liquids * Semi-
solids * Solids * Pen or Pack * Frozen Manure * 1150 Gallons to 2253 Gallons
* It does the work of two spreaders for the price of one.

★ **Reliable Service
You Can Count on!**



**Or Our
VANGUARD**

Highest payload to cost ratio; fast spreading; lowest maintenance; capacities from 1500 to 3300 gallons. For semi-solid manure.

No 1
thawir
tempe
Witl

A so



MARTIN MEASURES UP

PENNSYLVANIA

Bence's Farm Equipment
Bedford, PA
814-623-8601

John E. Brown
Forksville, PA
717-924-3492

Norman D. Clark & Son Inc.
Honey Grove, PA
717-734-3682

Clugston Implement
Chambersburg, PA
717-263-4103

Ditt's Farm Equipment
Marion Center, PA
412-286-9606

Thomas Dunlap
Jersey Shore, PA
717-398-1391

Dunkle & Greib
Center Hall, PA
814-364-9109
Mill Hall, PA
717-726-3115

Evergreen Tractor Co.
Lebanon, PA
717-272-4641

H.R. Gutshall & Sons
Carlisle, PA
717-249-2313
Loysville, PA
717-789-4343

A.L. Her
Quarry
717-78

**Ristand Farm &
Rome**
717-744

R.S. Hollin
Mountv
717-281

C.B. Hoob
Intercou
717-761

WE BUILD FOR T