

Wet conditions prevail in Pa.

HARRISBURG — Wet conditions prevailed over most of the Commonwealth during the week limiting farm fieldwork statewide to three days for the week ending May 30, according to the Pennsylvania Crop Reporting Service.

Field activities included plowing, spraying, making hay and silage, transplanting tobacco,

and planting corn, potatoes, soybeans, cabbage and tomatoes.

Surface soil moisture statewide was rated adequate by 92 percent of the reports, short by four percent and surplus by four percent.

Plowing in Pennsylvania is virtually complete, at about the same time as last year.

Potato planting is nearing

completion with 93 percent of the crop in the ground compared with 92 percent planted last year. In the northern region 81 percent of the crop is planted, while planting is virtually complete in the central and southern regions.

Soybean planting statewide is still ahead of last year with 62 percent of the crop planted com-

pared with 34 percent last year. In the northern region 50 percent is planted, in the central 49 percent is planted, and in the southern region 75 percent is planted.

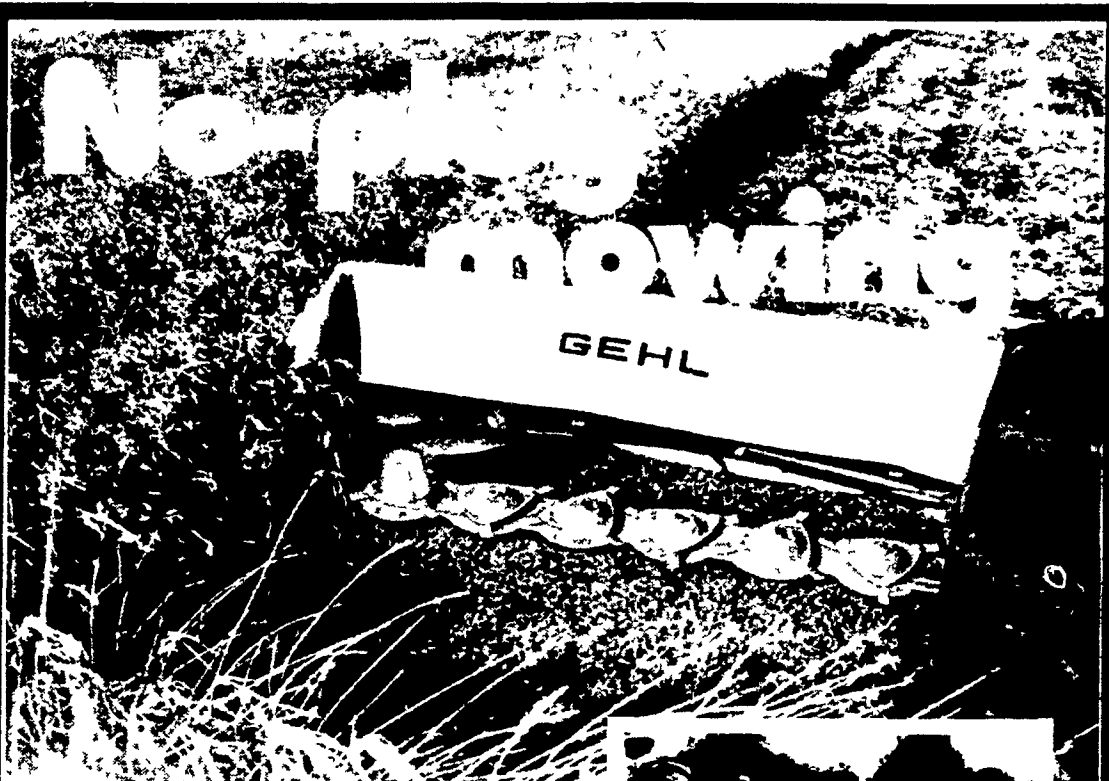
Corn planting at 85 percent complete is slightly ahead of last year at this time when 82 percent was planted. In the northern region 55 percent is planted, in the central region 88 percent is planted, and in the southern region 94 percent is planted.

Statewide, 13 percent of the barley crop is in boot, and 86 percent is headed compared with 18 percent in boot and 70 percent headed last year. In the north 35 percent is in boot and 55 percent is headed. In the central region 11 percent is in boot and 89 percent is headed, while in the southern region eight percent is in boot and 92 percent is headed.

Wheat is 49 percent in boot and 31

percent headed compared with 35 percent in boot and 40 percent headed at this time last year. In the north 40 percent is in boot and 29 percent is headed. In the central region 58 percent is in boot and 29 percent is headed, while in the southern region 37 percent is in boot and 36 percent is headed.

Both alfalfa and clover-timothy stands statewide were rated mostly fair to good. First crop alfalfa is 15 percent cut with the major portion going for silage compared with 19 percent cut at this time last year. The quality of hay made during the week was rated fair by 60 percent of the reporters, poor by 27 percent and good by 13 percent. The amount of feed obtained from pasture was rated average by 61 percent, below average by 14 percent and above average by five percent of the reporters.



Mow faster, up to 10 mph, without plugging. Through wet, heavy grass or down tangled crops. The toughest conditions you face won't stop Gehl's new disc mowers and disc mower conditioners.

High Impact cutting. High speed heavy duty discs spin at 3 000 rpm, each disc has three reversible, low cost knives. This prevents plugging found with conventional, sickle-type machines in difficult cutting conditions.

Minimize costly maintenance. Gehl's solid, simple design means more productive time, more profit for you!

Choice of three machines. Disc mowers include a 5'6" model 140 and 7'10" model 160. The disc mower conditioner is a 7'10" model 1080. It features rubber rolls that gently crack the stems at uniform intervals. Saves leaves and nutrients. Adjustable shields let you choose full width swaths or tall, fluffy windrows.

See for yourself how these tough machines cut through almost any crop so you get more done in less time. Visit your Gehl dealer today.

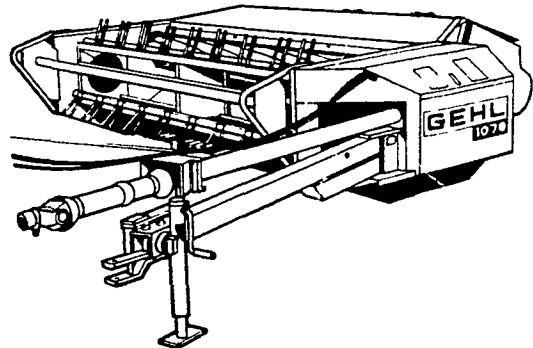


GEHL

Gehl Company, West Bend, Wisconsin 53095

Waiver of Finance on Gehl Equipment until Sept. 1, 1982

Leave Windrows High and Dry



Gehl's 1070 mower conditioner with its leaf-saver conditioning rolls, leaves high, fluffy windrows for fast drying. Standard features include a full 7'3" cutting width, unitized frame, smooth torsion bar suspension, all-gear main drive and quick-adjust windrow shields. See how Gehl Put Good Ideas to Work in the 1070 mower conditioner today!

PEOPLE'S SALES & SERVICE
Oakland Mills, PA
717-463-2735

N.G. HERSHEY & SON
Manheim, PA
717-665-2271

A. L. HERR & BRO.
Quarryville, PA
717-786-3521

S. JOHNSON HURFF
Pole Tavern
Monroeville, NJ
609-358-2565 or
609-769-2565

STOFFER BROS. INC.
Chambersburg, PA
717-263-8424

ZOOK'S ENGINES
R4 Box 344
Honey Brook, PA 19344
Answering Service
215-273-2943

CHAS. J. MCCOMSEY & SONS

Hickory Hill, PA
215-932-2615

WERTZ GARAGE
Lineboro, MD
301-374-2672

LEBANON VALLEY IMPLEMENT CO., INC.
Richland, PA
717-866-7518

ARNETT'S GARAGE
Rt 9 Box 125
Hagerstown, MD
301-733-0515

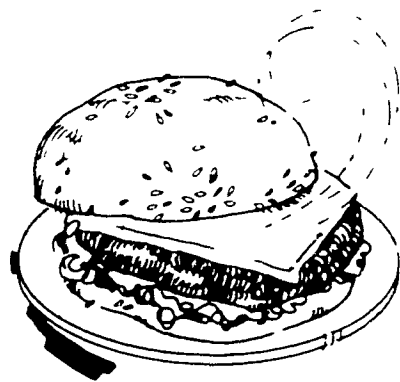
CLAIR J. MYERS
Lake Road R1
Thomasville, PA
717-259-0453

UMBERGER'S MILL
Rt 4 Lebanon, PA (Fontana)
717-867-5161

MILLER EQUIPMENT CO.
RD 1
Bechtelsville, PA
215-845-2911

BINKLEY & HURST BROS.
133 Rothsville
Station Road
Litz, PA
717-626-4705

PETERMAN FARM EQUIPMENT, INC.
225 York Rd
Carlisle, PA
717-249-5338



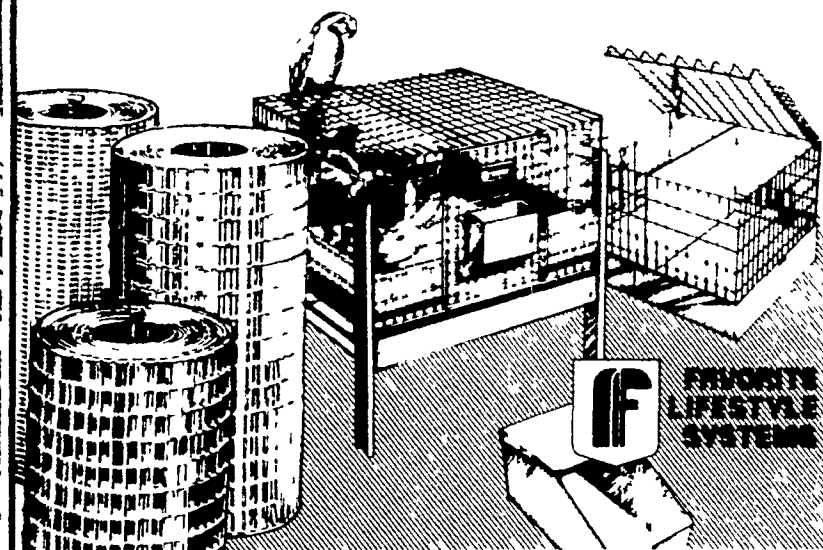
CHEESE ON BURGERS
a picnic delight

Grow Rabbits. Quail. Pheasant. Racoons. Chickens. Turkeys. Guinea Pigs. Any small animal. Right in your own backyard!

Put a little bit of country in your life. Experience the fascination and fun of raising small animals in your own backyard. Natural education for kids. Profitable hobby for adults. To get started visit the 1100 square foot Favorite Factory Showroom. Everything you need for successful small animal raising. Full line of pre fabricated all metal lifestyle enclosures. Watering systems. Feeders. 100 foot rolls of welded

wire mesh. Complete modular rabbit raising systems. All at direct to you low prices. Stop in today and save!
Favorite Manufacturing Inc
114 116 Earland Industrial Park
Building #1 Just East of New
Holland off Route 23 Phone
(717) 354 4586

Open weekdays 7 30 AM to 4 30 PM
Fridays 7 30 AM to 6 00 PM
Saturdays 7 30 AM to 11 30 AM



F FAVORITE LIFESTYLE SYSTEMS