

CENTRAL TRACTOR FARM & FAMILY CENTER

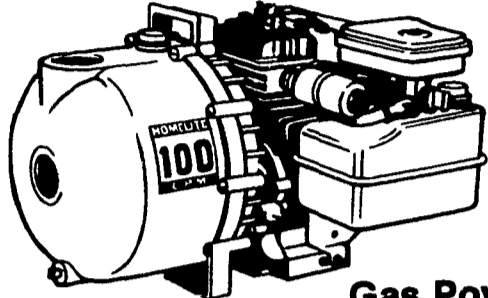
MAY DAYS SALE!



Hurry!

Sale prices good now through Sat., May 22, 1982

All items are subject to stock on hand. We reserve the right to limit quantities. Sale ends on the above date.

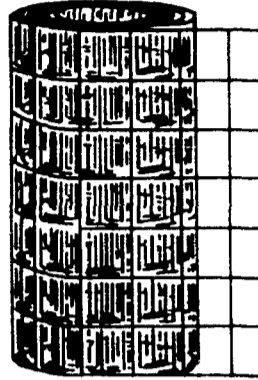


184⁹⁹

Reg. 209.99 / SAVE 25.00
16563-100

Gas Powered Centrifugal Pump

Self priming, lightweight, high volume portable pump. Ideal for transferring agricultural chemicals from nurse tank to applicator tank. 3 HP gas engine. 90 GPM @ 3600 RPM. 1 1/2" NPT inlet and discharge.



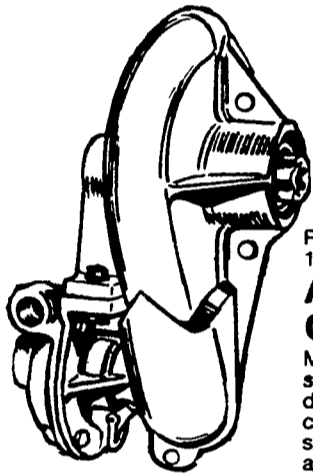
Welded Wire Fence

50 ft. 14 gauge, welded wire fence. Sturdy welds keep mesh spacing uniform and distortion free.

2" x 4" x 48" SALE **19.99**
24696-282 Reg. 22.99

2" x 4" x 60" SALE **24.99**
24697-282 Reg. 27.99

2" x 4" x 72" SALE **29.99**
24698-282 Reg. 32.99

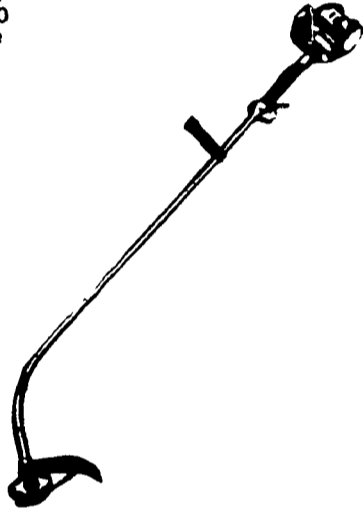


149⁹⁹

Reg. 167.77 / SAVE 12.78
16475-100

Ace Centrifugal Pump

Mounts directly on power take-off shaft. Sprays 20 gpm at 60 psi when driven by 600 rpm PTO. All iron construction, sealed ball bearings, spring loaded idler, OSHA approved safety shield.



Get a \$13.00 rebate on the McCulloch Mac 60 Gas Powered Trimmer

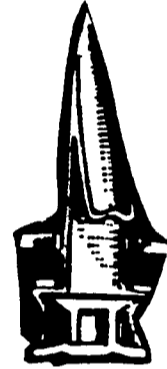
112⁹⁹
13⁰⁰

Central Tractor's SALE PRICE Less Rebate from McCulloch

99⁹⁹ Your Final Net Cost

McCulloch Mac 60 Trimmer. For precise edging on any size lawn, a lightweight rear-mounted 13.8 cc engine with a manual cutting head. Just pick up rebate coupon when you buy trimmer, mail to McCulloch by June 30, 1982, and they will rebate \$13 to you. See coupon for complete details.

Reg. price 119.99 29306-342 WHILE QUANTITIES LAST



2⁷⁹

Reg. 2.99 / SAVE 6%
12361-006

Universal Rock Guard

New Universal Rock Guards, made to replace all mower guards except MF Dyna-Balance mower. Made from long wearing malleable iron.

3²⁹

Reg. 3.69 / SAVE 10%
12091-006

Rock Guard

For longer service in rocky soils and heavy cutting. Made from longwearing malleable iron. Wt. 2 lbs. For Ford-Dearborn-Ferguson, replaces no. 141009 and N12.

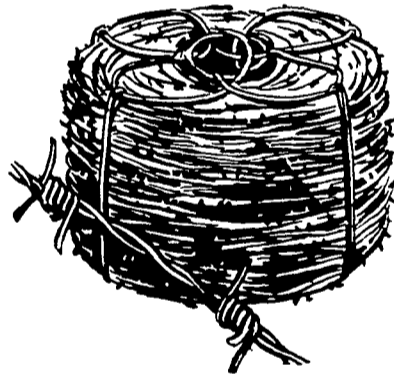
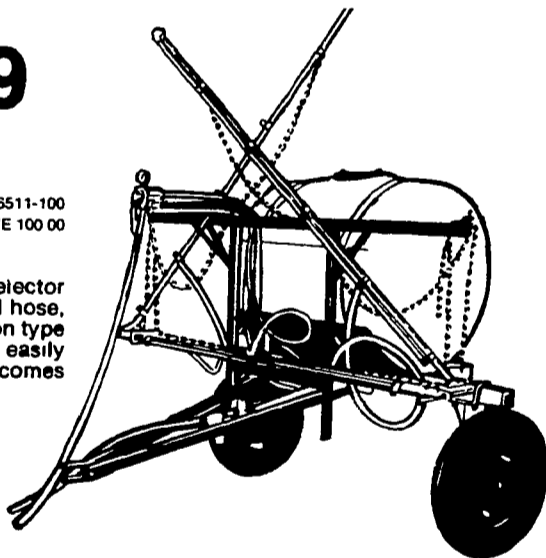
889⁹⁹

Reg. 969.99 / SAVE 80.00
200 Gallon 16440-100

1029⁹⁹ 300 Gallon 16511-100
Reg. 1129.99 / SAVE 100.00

Field Sprayer

Polyethelene tank, 8-way selector valve, 20 gallon tips, 2 braid hose, 3/4" suction hose and 3/4" nylon type strainer. 8 row boom, tread easily adjustable from 51" to 88", comes less pump and tires.

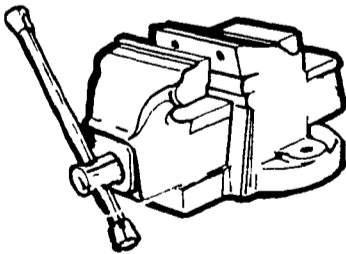
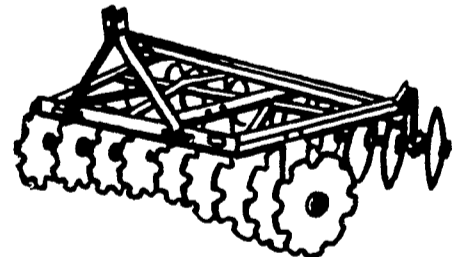


32⁷⁷

Reg. 36.97 / SAVE 4.20
24672-282

4 Pt. Barb Wire

12 1/2 gauge, 4 pt. wire 5" spacing
80 rod spools. Made in USA.

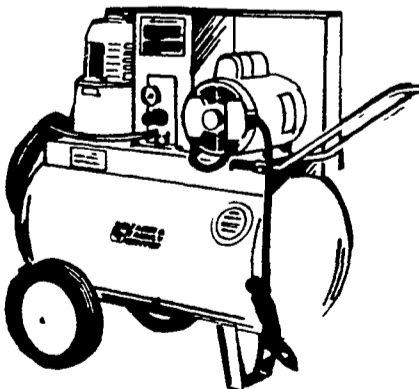


49⁹⁹

Reg. 69.99 / SAVE 20.00
17652-112

6" Heavy Duty Vise

This massive vise weighs 72 pounds. Big 6 wide 4 deep jaws open to 7" positive locking 200° swivel base oversized anvil and large forming horn.



424⁹⁹

Reg. 464.95 / SAVE 39.96
17984-106

2 Hp. Air Compressor

This compressor matches a big 2 hp electric motor, a big twin compressor with an output of 7.8 cfm. at 40 psi. and a 22 gallon tank. Has many of the features of a big stationary unit, yet it is as portable as the 1/2 hp. unit. Not sold in Massachusetts in compliance with state laws.

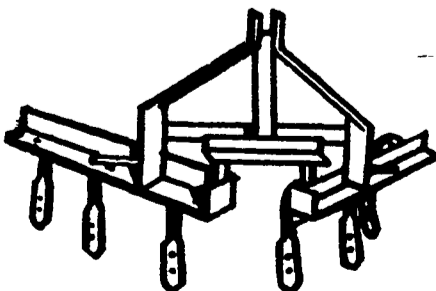
449⁹⁵

13520-063

Category 1 Tandem Disc Harrow

For 3-point lift arm spacing at 26". Entire frame manufactured from structural strength angle, allowing smooth, rigid penetration. Self seating grey iron bearings with two grease fittings, to assure long wear life. Tandem gangs are adjustable. Standard equipment includes five notched 18" blades on each front gang and five plain 18" blades on each rear gang.

SEASON CLEARANCE



99⁹⁹

Reg. 119.95 / SAVE 19.96
13478-063

Category 1 1 Row Cultivator

All welded, high clearance, heavy duty frame provides row width adjustment, 26" lift arm spacing. Comes with six "C" tines with reversible points.



FARM & FAMILY CENTER

CHAMBERSBURG

1351 Lincoln Way East, Ph 717/264-8282
Open 9-6 Mon -Thur / 9-9 Fri / 9-5 Sat

LANCASTER

1570 Manheim Pike, Ph 717/569-0111
Open 8:30-5:30 Mon -Fri / 8:30-5 Sat

QUAKERTOWN

Quakertown Plaza Shopping Center
Rts 309 & 313, Ph 215/538-2494
9-6 Mon-Wed / 8-9 Th & Fri / 9-5 Sat / 12-5 Sun