

**CENTRAL TRACTOR FARM & FAMILY CENTER**

# FIX IT UP Sale!

**Hurry!**  
Sale prices good now through Sat., Apr. 24, 1982

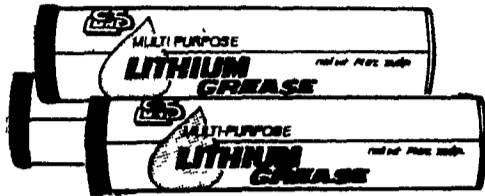


All items are subject to stock on hand. We reserve the right to limit quantities. Sale ends on the above date.



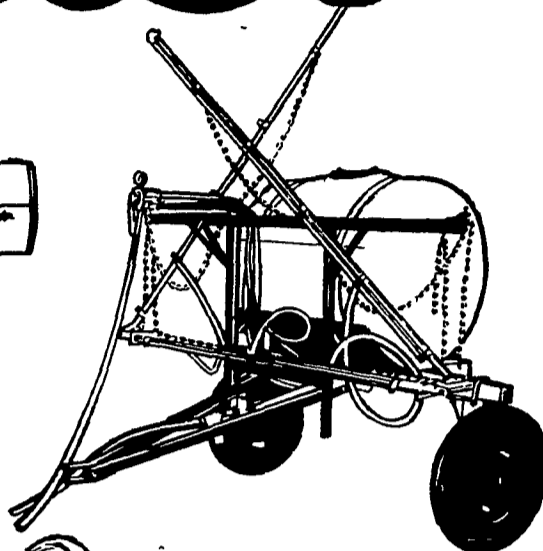
**497**

Reg. 6.88 / SAVE 1.91  
9854-069  
**Grease Gun**  
Uses cartridge or bulk grease. Can be filled with dispenser.  
Replacement Thin Nose Coupler 11291-121 Reg. 1.47 SALE 1.29  
12" Flexible Grease Hose 12261-133 Reg. 1.99 SALE 1.00



**59¢**

Reg. 79¢ / SAVE 25%  
13999-272  
**Grease Cartridges**  
Top quality, multi-service, Super Lithium grease 25 cartridges per case



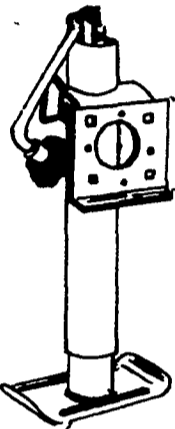
**889<sup>99</sup>**

Reg. 969.99 / SAVE 80.00  
200 Gallon 16440-100  
**1029<sup>99</sup>** 300 Gallon 16511-100  
Reg. 1129.99 / SAVE 100.00

**Field Sprayer**  
Polyethylene tank, 8-way selector valve, 20 gallon tips, 2 braid hose, 3/4" suction hose and 3/4" nylon type strainer 8 row boom, tread easily adjustable from 51" to 88", comes less pump and tires

**719<sup>99</sup>** Reg. 779.99 / SAVE 60.00  
200 gallon 16714-100

**3 Pt. Sprayers**  
Quick, easy to attach, and simple to operate 3-point hitch 8 row sprayer with polyethylene tank Fits tractors with Cat 1 or 2 three point hitches 7/8" pins for category 1, order bushings to bush 7/8" pin to 1 1/4" for category 2 Less pump and lower link pins

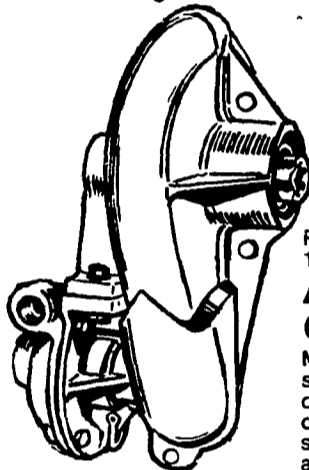


**1999**

Reg. 28.88 / SAVE 8.89  
12656-040  
**Swivel Jack**  
Flat bottom. Assembly may be turned 90° horizontal or vertical Locking handle holds device in any position

**2377**

Reg. 26.99 / SAVE 3.22  
13998-272  
**35 Lbs. Lithium Grease**

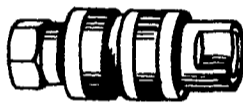


**154<sup>99</sup>**

Reg. 167.77 / SAVE 12.78  
16475-100  
**Ace Centrifugal Pump**  
Mounts directly on power take-off shaft Sprays 20 gpm at 60 psi when driven by 600 rpm PTO All iron construction, sealed ball bearings, spring loaded idler, OSHA approved safety shield

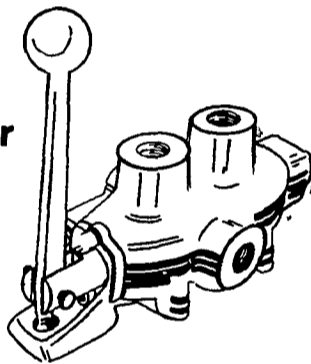
**9797**

Reg. 105.99 / SAVE 8.02  
16471-100  
**7 Roller Ni-resist Pump**  
7 roller twin port pump with quick coupler. Ni-resist body, jumbo nylatron rollers, 7/8" stainless steel shaft. 15 gpm at 550 rpm. Pressure range from 0 to 200 psi



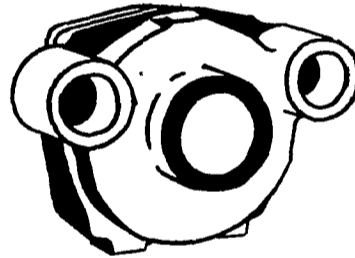
**659**

Reg. 9.29 / SAVE 2.70  
10865-092  
**Hydraulic Coupler**  
Complete coupler for 1/2"



**4499**

Reg. 53.99 / SAVE 9.00  
4510-008  
**4-Way Hydraulic Control Valve**  
Fully balanced, self centering, built in relief valve, easy mounting Relief valves are factory set at 1500 psi



**5288**

Reg. 55.99 / SAVE 3.11  
6 Roller Pump 16380-100  
**6977** Reg. 73.77 / SAVE 4.00  
7 Roller Pump 16470-100  
**Roller Pumps**  
Backport pump with quick coupler, jumbo nylatron rollers, cast iron body with stainless steel drive shaft. Pump capacity is 9.2 gpm at 550 rpm. Pressure range is 0 to 200 psi.



**5499**

Reg. 65.99 / SAVE 11.00  
3"x8" 6501-017  
**5899** Reg. 69.99 / SAVE 11.00  
3 1/2" x8 6585-017  
**Tie Rod Cylinder**  
Double acting Up to 2500 psi, 20 1/4" retracted length, 8" stroke

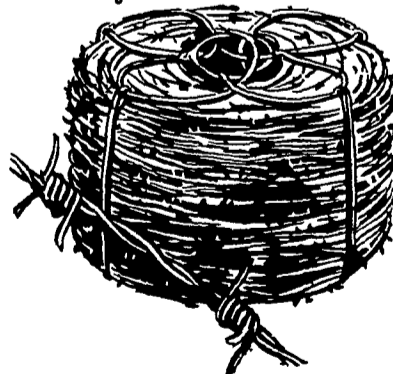


**2249**

Reg. 26.75 / SAVE 4.26  
5 Gallon 13983-272  
**CT Lube Universal Hydraulic Oil**  
A universal hydraulic fluid which is recommended for tractors with a common sump for transmission, final drive, and hydraulic systems

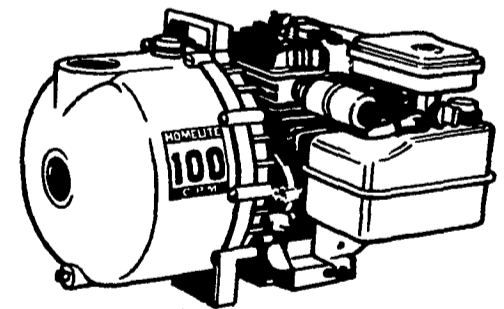
**55¢**

each  
Reg. 75¢ / SAVE 26%  
17895-130  
**Steel Rod Elec. Fence Posts**  
48" long, made of 1 1/2" steel



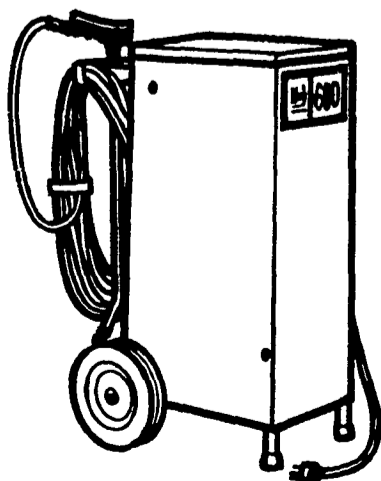
**3277**

Reg. 36.97 / SAVE 4.20  
24672-282  
**4 Pt. Barb Wire**  
12 1/2 gauge, 4 pt wire 5" spacing  
80 rod spools. Made in USA



**18499**

Reg. 209.99 / SAVE 25.00  
16563-100  
**Gas Powered Centrifugal Pump**  
Self priming, lightweight, high volume portable pump Ideal for transferring agricultural chemicals from nurse tank to applicator tank 3 H.P. gas engine. 90 GPM @3600 RPM 1 1/2" NPT inlet and discharge



**31997**

Reg. 339.99 / SAVE 20.02  
25402-293  
**High Pressure Washer**  
Handy cart mobility. 500-600 psi, automatic mixing for easy cleaning and spraying Built-in tank eliminates the need for bottles, etc Special duty 3/4 Hp motor 5-way valve selects cleaning phase desired 100% chemical, metered chemical, rinse tank filling, and off 2 gpm pump 5 ft grounded power cord 35 1/2" high, 15 1/2" wide, 18 1/2" deep Requires 15 amps power at 115 volts

**CENTRAL TRACTOR FARM & FAMILY CENTER**

**CHAMBERSBURG**  
1351 Lincoln Way East, Ph. 717/264-8282  
Open 9-6 Mon -Thur / 9-9 Fri / 9-5 Sat

**LANCASTER**  
1570 Manheim Pike, Ph. 717/569-0111  
Open 8:30-5:30 Mon -Fri / 8:30-5 Sat

**QUAKERTOWN**  
Quakertown Plaza Shopping Center  
Rts. 309 & 313, Ph. 215/538-2494  
9-6 Mon-Wed / 8-9 Th & Fri / 9-5 Sat / 12-5 Sun