



**Sperry and Wiley are doing it!**

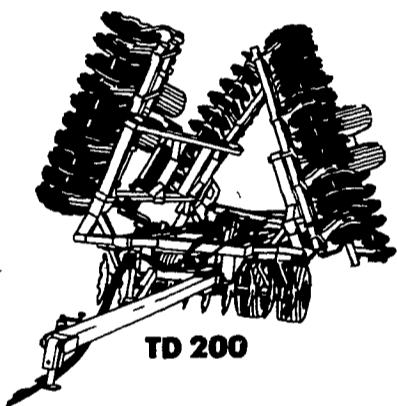


**REBATES**

- **HAY & FORAGE TOOLS** - Bought And Paid For In April - 6% Back To You  
In May - 5% Back To You  
Or Free Finance Until October 1, 1982
- **DISK HARROWS** - \$1000 Given By Dealer
- **MANURE SPREADERS; GRINDER MIXERS; LOADERS** - Free Finance Until September 1, 1982

*What More Would You Want?*

**Well..We'll Give You More!**



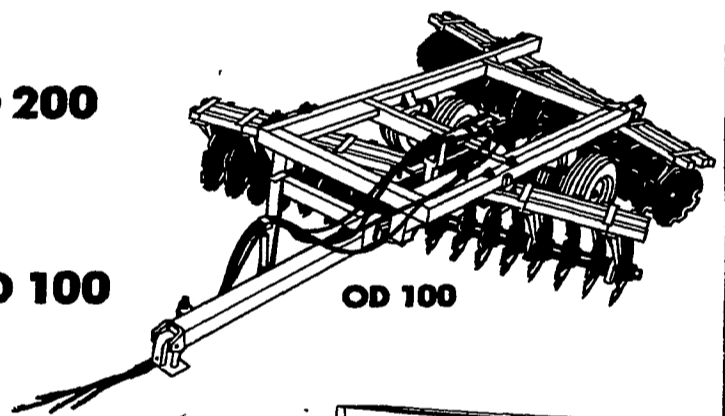
TD 200

**NH 12 Ft. Disk Harrow, Model TD 200**

**\$8500**

**NH 10 Ft. Disk Harrow, Model OD 100**

**\$8900**



OD 100

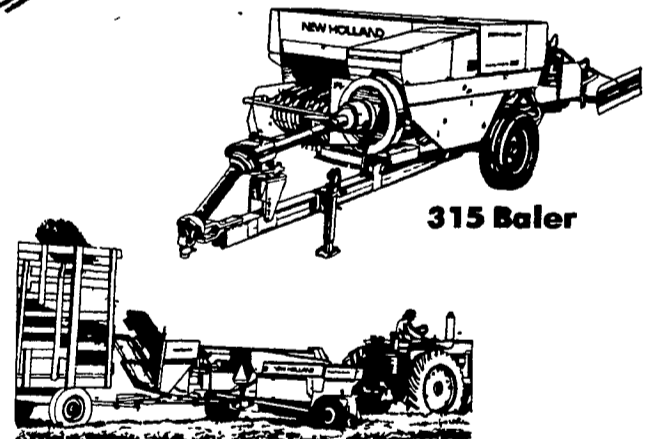
**NH Model 1900 Harvester  
With a Low, Low Price**



1900 Harvester

**NH 315 Baler with #70 Thrower**

**\$7995**



315 Baler

#70 Thrower

***Don't Forget The Rebates!***

**Woods Cadet 72 Mowers with Tail Wheel ..... \$1195<sup>00</sup>**

**All This PLUS**

- Lawn Boy Mowers • Bolens Tractors & Mowers
- Gilson Tractor, Mowers & Tillers • Weed Eaters

***Priced To Fit Your Pocketbook - Service To Fit Your Needs!***

**Uh-Oh! (7) Motron Mopeds - Closeout Price ..... \$549.95 ea.**

**YOUR SPERRY NEW HOLLAND DEALER**

**C.E. WILEY & SON INC.**

101 S. LIME

QUARRYVILLE, PA.

PHONE (717) 786-2895