

### Delaware to hold lamb sale

NEWARK, Del. — The 1982 Delaware 4-H/FFA Lamb Sale will be held Thursday, April 29, at 7 p.m. in the machinery shed of the University of Delaware farm in Newark. The shed is located across from the dairy barn.

Lambs will be sold to the highest bidder on a price-per-pound basis. A minimum price will be established before bidding starts. Lambs not sold must be taken

away by owners.

All lambs submitted for sale must be vaccinated twice for enterotoxemia (overeating disease). It is desirable that they be dewormed once. Those consigned by out-of-state producers must be accompanied by a health certificate signed by a veterinarian. This should state that the flock has been inspected within the last 10 days and is free of foot rot, sore mouth and

respiratory disease.

Lambs should weight approximately 50-60 pounds. They will be used as projects ending in the roundup at the Delaware State Fair during the last week of July. Good meat-type, growthy lambs suitable for shows are desirable. Competition is keen so there is little demand for animals which lack these qualities.

Lambs must be delivered between 4:30 and 5:30 p.m. so they can be weighed, numbered and penned by 6 p.m., at which time they will be available for inspection. Sale expenses will be deducted from the consignor's payment.

Individuals who plan to participate in the April 29 sale, either

as consignors or buyers, are encouraged to indicate their intention to do so by April 15. To do this,

contact University of Delaware extension livestock specialist Richard Fowler at (302) 738-2523.

### Backyard poultry 4-H farming

LEBANON — Youth will learn-by-doing the basics of poultry raising in the Backyard Poultry 4-H Club, forming this month in North Annville Township.

The group, open to any youth 8-18 is designed for beginners or more involved poultry raisers. Four-H volunteer, Dick Tice, will supply peeps to beginners. Tice emphasizes that only 12 square feet of backyard space is needed to learn the basics of backyard poultry.

Members will learn-by-doing — by building their own coops, and caring for their poultry. Monthly meetings will include field trips, problem sharing and solving, community service and recreation.

Backyard poultry can also provide an opportunity to earn money buy selling eggs or meat.

To join call the 4-H organization leader, at 867-1985 after 4 p.m. Size of the club is limited; calls are recommended before April 15.

This publication is available in microform.

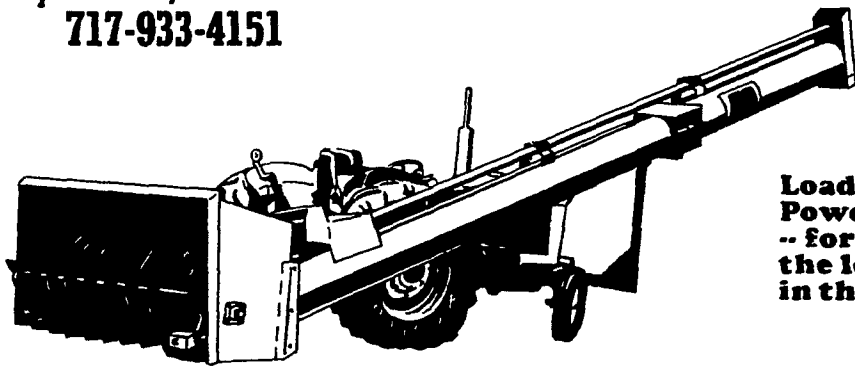
University Microfilms International



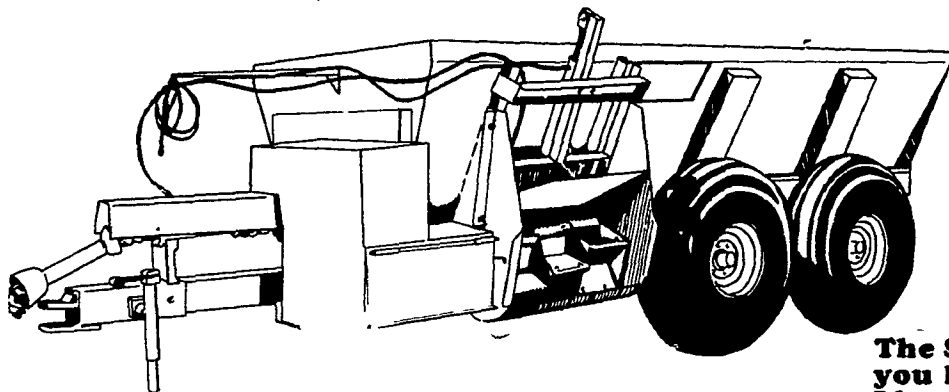
341 Kutztown Rd.  
Myerstown, PA 17067  
717-933-4151

## IT'S THE COMBINATION OF EXPERIENCE & EQUIPMENT TO SOLVE YOUR MANURE HANDLING "PROBLEMS" FROM STORAGE WITH OUR...

# EQUALIZER

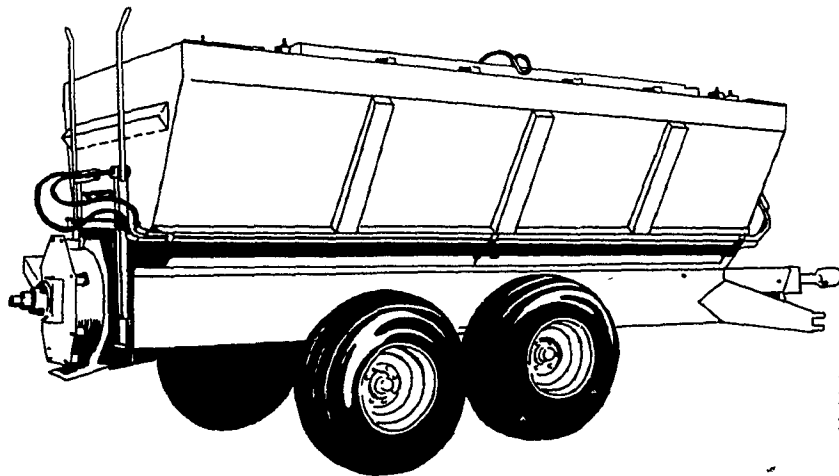


Loads manure too thick to pump and too thin to bucket. Powerful blades in the scoop break up the most crusted manure -- force it into the heavy auger and up the loading chute. Measure the loading power ... measure the economy ... there's nothing else in the market like the EQUALIZER.



## To The Field With Our SCAVENGER

The Scavenger with its unique design and capabilities will show you how easy and fast spreading all kinds of manure can be ... Liquids ... Semi-solids ... Solids ... Pen or pack ... Even Frozen. It does the work of two spreaders for the price of one.



## Or Our VANGUARD

Highest payload to cost ratio; fast spreading; lowest maintenance; capacities from 1500 to 3300 gallons. For semi-solid manure.

Call Your Martin Dealer for Details

#### PENNSYLVANIA

Bence's Farm Equipment  
Bedford, PA

814-623-8601

John E. Brown

Forksville, PA

717-924-3492

Norman D. Clark & Son Inc.

Honey Grove, PA

717-734-3682

Clugston Implement

Chambersburg, PA

717-263-4103

Ditt's Farm Equipment

Marion Center, PA

412-286-9606

Thomas Dunlap

Jersey Shore, PA

717-398-1391

Dunkle & Greib

Center Hall, PA

814-364-9109

Mill Hall, PA

717-726-3115

Evergreen Tractor Co.

Lebanon, PA

717-272-4641

H.R. Gutshall & Sons

Carlisle, PA

717-249-2313

Loysville, PA

717-789-4343

John Hauck

New Berlin, PA

717-966-3760

A.L. Herr & Bro.

Quarryville, PA

717-786-3521

Histand Farm & Home Service

Rome, PA

717-744-2371

R.S. Hollinger & Son

Mountville, PA

717-285-4538

C.B. Hooper & Son

Intercourse, PA

717-768-8231

Wm. Kelly Barn Equipment

Edinboro, PA

814-734-3614

M & M Barn Sales

Westfield, PA

814-334-5504

Meckley's Limestone

Herndon, PA

717-758-3915

Red Wing Farm

Fleetwood, PA

215-944-0791

944-9583

W & J Dairy Sales

Oxford, PA

717-529-2569

Zimmerman Farm Service

Bethel, PA

717-933-4114

Ivan Zook

Bellefonte, PA

717-935-2948

#### MARYLAND

E.T. Cline & Son

Hagerstown, MD

301-739-2223

H.B. Duvall

Frederick, MD

301-662-1125

Enfield Equipment, Inc.

Whiteford, MD

301-452-5252

Hughes Bros., Inc.

Westminster, MD

301-848-6313

#### DELAWARE

Deirdge Supply, Inc.

Greenwood, DE

302-349-4327

#### NEW JERSEY

Jones Dairy Service

Medford, NJ

609-267-0198

# WE BUILD FOR THE DAIRY INDUSTRY