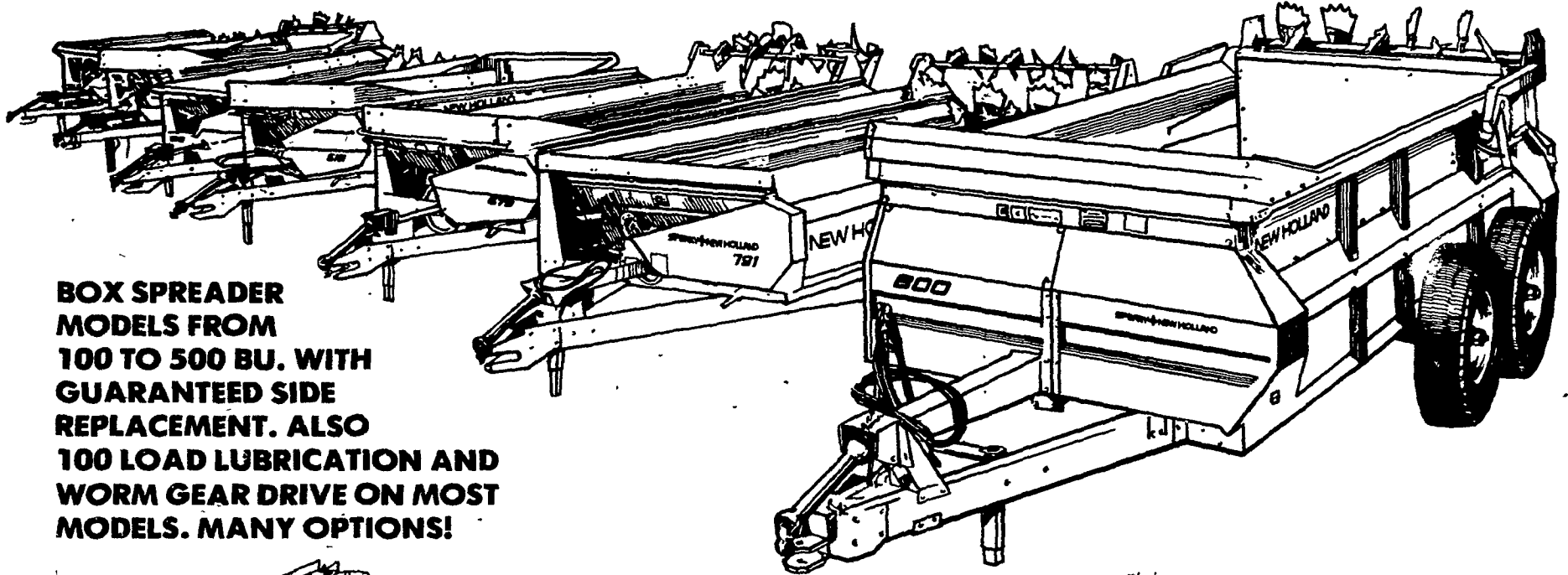
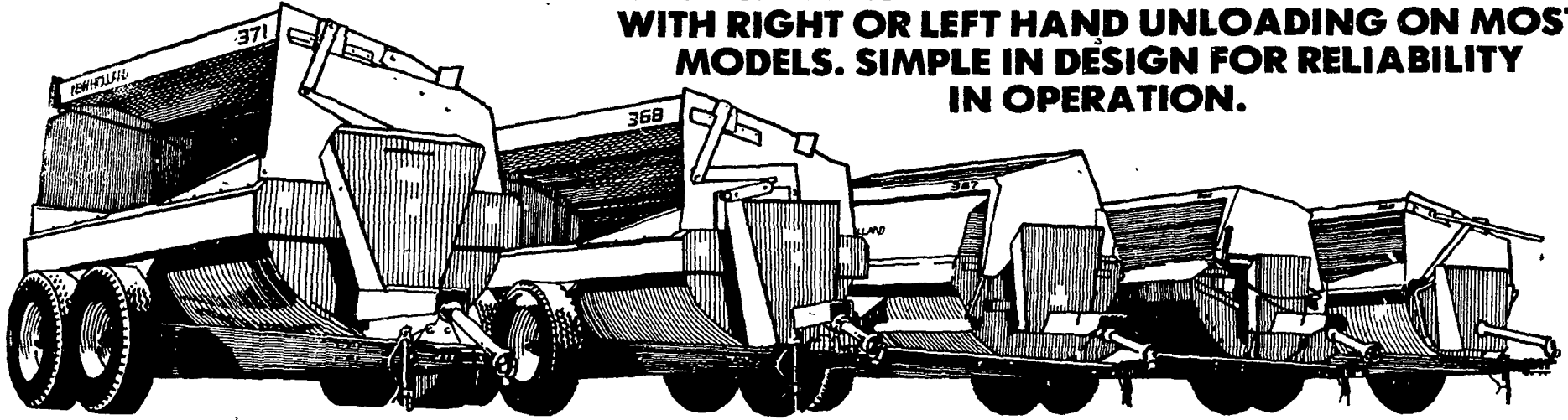


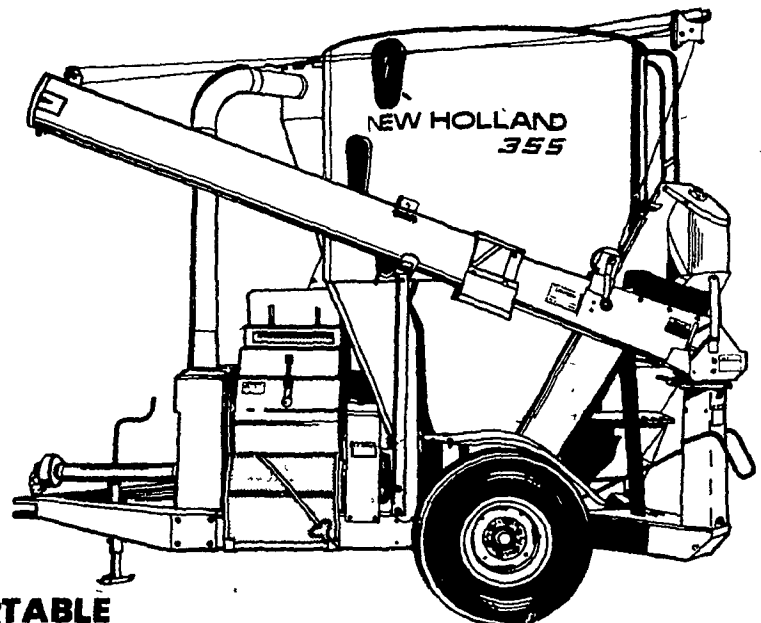
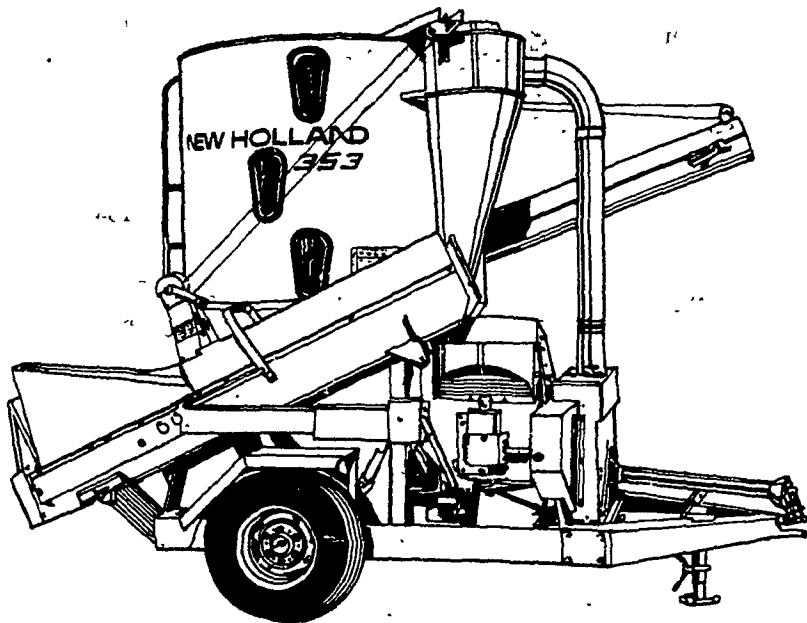
# WAIVER OF FINANCE CHARGES

## SPREADERS AND GRINDER-MIXERS UNTIL JULY 1, 1982 SPERRY NEW HOLLAND NOW OFFERS WAIVER OF FINANCE CHARGES ON ALL

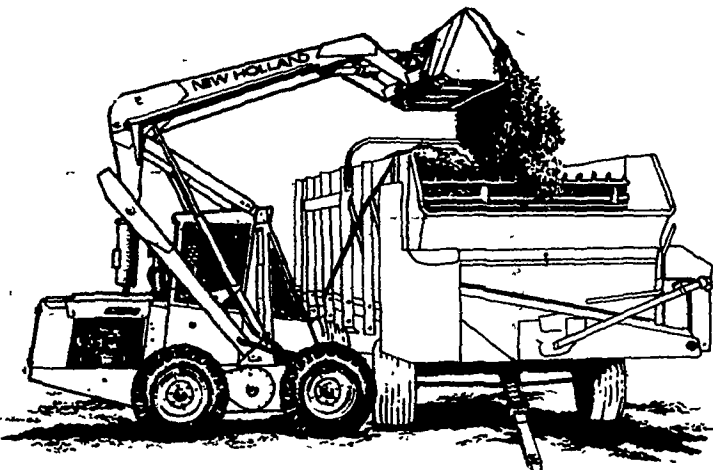
**FLAIL TANK SPREADERS FROM 590 TO 1420 GALLONS  
WITH RIGHT OR LEFT HAND UNLOADING ON MOST  
MODELS. SIMPLE IN DESIGN FOR RELIABILITY  
IN OPERATION.**



**BOX SPREADER  
MODELS FROM  
100 TO 500 BU. WITH  
GUARANTEED SIDE  
REPLACEMENT. ALSO  
100 LOAD LUBRICATION AND  
WORM GEAR DRIVE ON MOST  
MODELS. MANY OPTIONS!**



**FOUR MODELS OF PORTABLE  
FEED GRINDER MIXERS WITH  
TANK SIZES FROM 80 TO 150  
BU. HYDRAULIC DRIVE AND  
ELECTRONIC SCALES  
AVAILABLE ON SOME  
MODELS. MANY OTHER  
OPTIONS ALSO  
AVAILABLE.**



**SEVEN MODELS OF SKID STEER  
LOADERS WITH OPERATING  
LOADS FROM 900 TO 2050  
LBS. GET THE SUPER BOOM  
LOADER WITH EXTRA REACH  
THAT ALLOWS YOU TO FILL THE  
CENTER OF FORAGE BOXES  
AND SPREADERS!**

