

CENTRAL FARM & FAMILY CENTER

SPECIAL SAVINGS

Hurry!
Sale prices good now through Sat., Mar. 6, 1982



All items are subject to stock on hand. We reserve the right to limit quantities. Sale ends on the above date.

Rock Share

BROKEN SHARE REPLACED FREE!
As Long As Share Is Not Worn Out.

Applies only to Rock Shares
The extra heavy duty long-wearing share is made of top quality spring steel. Extra material is added to the nose of the share making it wear twice as long, and extra strong to eliminate breakage. Our extra heavy duty plow shares wear as long as any other share on the market. Order bolts separately from listing as blade price does not include bolts. Front hole uses 1 1/2" long bolt. Made in USA.

FOR ALLIS CHALMERS

Use 3/4" Clip Head Bolt

Size	Stock No.	Price	SALE
All 14" except 375, 387 series	18017-002	10.39	8.99
All 18" except 375, 387 series	18018-002	10.59	8.79
14" 375 series	18054-002	10.39	8.99
18" 375 series	18087-002	10.89	8.99
All 14" and 18" 387 series	18082-002	10.79	8.99

FOR CASE

Use 3/4" front bolt, 3/4" on others

14" 4 hole	18019-002	9.89	7.99
14" 4 hole, short	18077-002	9.99	8.29
18" 3 and 4 hole	18056-002	9.99	8.29
18" 4 hole, short	18078-002	10.39	8.99

FOR JOHN DEERE

3 hole uses 7/8" bolts, 4 hole uses one 1/2" & three 3/4" bolts

14" 3 hole	18020-002	8.69	7.19
14" 4 hole	18021-002	8.69	7.19
14" 4 hole, short	18040-002	8.69	7.19
18" 3 hole	18022-002	9.29	7.99
18" 4 hole	18023-002	9.29	7.99
18" 4 hole, short	18057-002	9.29	7.99
18" 5 hole	18095-002	10.19	8.99

FOR FORD

Use 3/4" Clip Head Bolt

14" 3 hole	18024-002	8.89	7.19
14" 3 hole, short	18038-002	8.89	7.19
14" 4 hole	18038-002	8.89	7.19
18" 3 hole	18025-002	9.29	7.99
18" 4 hole	18072-002	9.29	7.99

FOR IHC

3 hole uses 7/8" bolts, 4 hole uses one 1/2" & three 3/4" bolts

14" 3 hole	18025-002	9.89	7.99
14" 4 hole	18027-002	9.89	7.99
14" 3 hole, short	18073-002	9.89	7.99
14" 4 hole, short	18074-002	9.89	7.99
18" 4 hole, short	18075-002	9.99	8.29
18" 3 hole	18028-002	9.99	8.29
18" 4 hole	18029-002	9.99	8.29
18" 4 hole	18030-002	10.99	8.19

FOR MASSEY FERGUSON

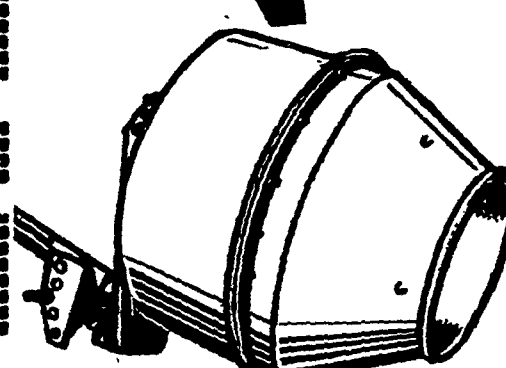
Use 3/4" bolts, 4 hole uses one 1/2" & three 3/4" bolts

14" 3 hole	18026-002	8.89	7.99
14" 4 hole	18027-002	9.99	7.99
14" 4 hole	18059-002	8.89	7.19
18" 4 hole	18060-002	9.29	7.99
18" 4 hole	18097-002	10.59	8.79

FOR OLIVER and MINN.-MOLINE

Use 3/4" Clip Head Bolt

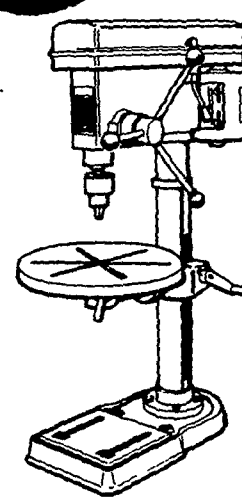
14" 3 hole	18034-002	9.89	7.99
14" 3 hole, short	18076-002	9.99	8.29
14" 4 hole	18035-002	9.89	7.99
14" 4 hole, short	18041-002	9.89	7.99
18" 3 hole	18036-002	9.99	8.29
18" 4 hole	18037-002	9.99	8.29
18" 4 hole, short	18042-002	9.99	8.29
18" & 18" 5 hole, for Oliver only	18085-002	10.89	8.99



559⁹⁹
Reg. 579.99 / SAVE 20.00
13007-279

3 Pt. 8 Cu. Ft. Cement Mixer

Easy to hook-up operates like any other 3 point power tool. Includes shielded PTO shaft, hydraulic cylinder and hose. Fits most three point hitch tractors with power take-off and hydraulic valve, no mounting brackets necessary. Lower link pins and upper link heights may be adjusted.



8888
Reg. 99.99 / SAVE 11.11
30127-423

3 Speed-Bench Type Drill Press

4" throat depth with 1/2" drilling capacity, 2" spindle stroke and depth stop. All ball bearing 1/4 Hp. motor. Slotted tilting table. Heavy duty cast iron construction throughout.

**SAVE up to 10%
MOLDBOARDS**

All fitted plow moldboards are furnished with bolts and are polished and dipped. Made of top quality solid steel.

For Plows With Throw-A-Way Shares

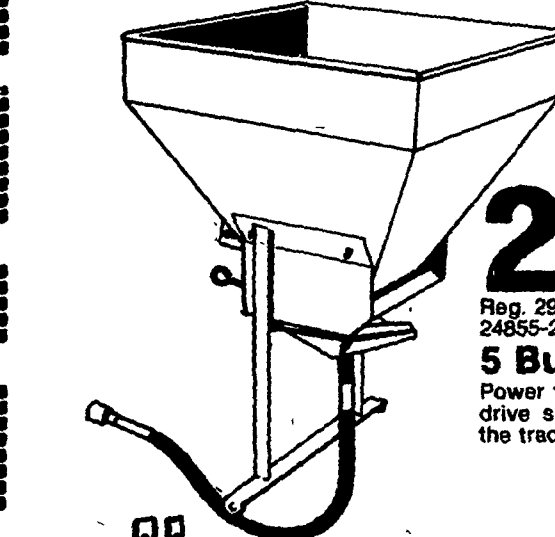
Model	Mfg. No.	Stock No.	Reg.	Sale
Deere 14"	HS314	18093-283	38.75	23.99
Deere 18"	HS316	18094-283	45.50	28.99
John Deere, NU 14"	AA14884	18798-283	48.75	28.25
John Deere, NU 18"	AA14885	18799-283	51.95	41.85
Ford 14"	104409	18686-283	40.50	32.75
Ford 18"	104412	18687-283	45.75	36.75
IHC Super-Chief 14"	522328F1	18700-283	38.25	26.75
IHC Super-Chief 18"	522329	18701-283	41.85	31.75
IHC Super-Chief Hi-Speed 14"	482313	18600-283	44.95	34.25
IHC Super-Chief Hi-Speed 18"	482314	18601-283	45.95	35.25
Minnesota-Moline or Oliver 14"	RA19-14	18786-283	41.95	31.75
Minnesota-Moline or Oliver 18"	R619-18	18787-283	43.50	34.85

**Save up to 10%
PLOW SHINS**

For Plow Bottoms using Blade Type Shares

Drop forged out of high carbon steel. Added thickness is forged where severest wear is encountered. Order bolts separately as shln price does not include bolts.

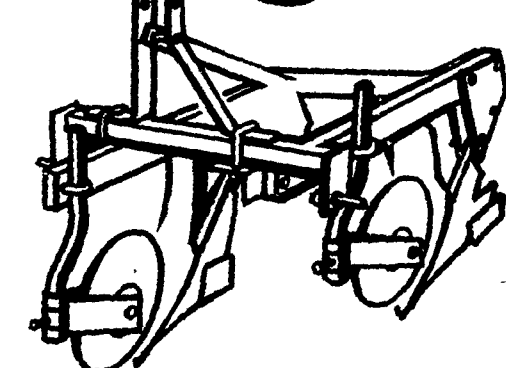
Model	Mfg. No.	Stock No.	Reg.	Sale
Allis Chalmers 14" or 18"	324940	18007-002	7.49	6.79
Allis Chalmers, 375 series, 14" or 18"	340871	18053-002	7.59	6.89
Allis Chalmers, 387 series, 14" or 18"	347849	18053-002	7.49	6.79
Case 14"	W105485	18008-002	7.59	6.89
Case 18"	W165485	18038-002	7.89	7.19
Ford Economy 12", 14", or 18"	104403	18009-002	7.19	6.49
David Brown 14" or 18"	HS10S	18084-002	7.19	6.49
John Deere RH 14"	8195A	18010-002	7.19	6.49
John Deere RH 18"	8196A	18011-002	7.39	6.69
John Deere NU 14" or 18"	NU	18098-002	7.59	6.89
IHC (S.C.) 14" or 18"	522325R	18012-002	7.19	6.49
IHC (P.C.) 14" or 18"	515880	18772-283	8.49	7.49
Massey Ferguson 14" or 18"	660-020-M81	18013-002	7.19	6.49
Massey Ferguson 14" or 18"	475191	18783-283	9.59	8.59
Massey Ferguson, 66 series, 14" or 18"	475191	18787-283	8.15	7.15
Minn.-Moline 14" or 18"	20P40	18786-283	8.15	7.15
Oliver 12", 14" or 18"	7488 (nar.)	18015-002	7.19	6.49
Oliver 12", 14" or 18"	7490 (wide)	18016-002	8.89	8.19



249⁹⁹
Reg. 299.99 / SAVE 50.00
24855-221

5 Bushel Seeders

Power take off driven with flexible drive shaft. Easily operated from the tractor seat.

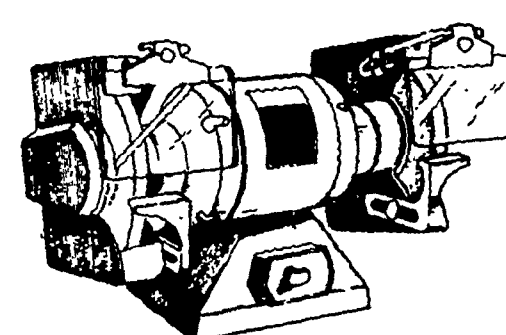


199⁹⁵
Reg. 219.95 / SAVE 20.00
14" Single Bottom 13485-083

379⁹⁹ Reg. 399.95 / SAVE 20.00
14" Double Bottom 13482-063

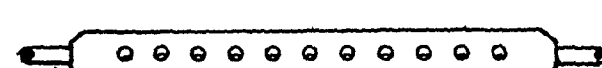
Category 1 Plows

For 3-point lift arm spacing of 26". Hitch frame provides positive adjustment of furrow width and plow bottom position. Replaceable shank, share, shin and landside made of high carbon steel.



Ball Bearing - Bench Type Grinders

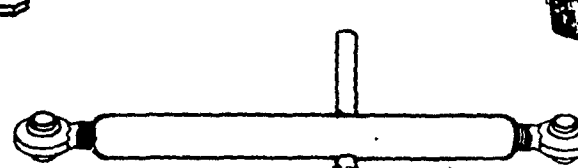
5" - 1/3 Hp.	30159-423 Reg 32.88	28⁷⁷
6" - 1/2 Hp.	30051-423 Reg 64.99	54⁹⁵
8" - 3/4 Hp.	30068-423 Reg. 95.99	84⁹⁵
10" - 2 Hp.	30075-423 Reg 189.99	169⁹⁵



27⁹⁹
Reg. 31.49 / SAVE 3.50
13234-063

Category 1 Drawbar

1" x 2 1/2" x 26". 11 hole drawbar. Wt. 17 lbs.



22⁹⁹
Reg. 25.99 / SAVE 3.00
13225-063

Category 1 Toplink

Adjustable from 19" to 28 1/2". Body 1 1/2" steel pipe, thread 1" NC, 3/4" sockets.



Everyday Low Prices Disc Blades

High carbon alloy steel and a special forging process gives these blades a fine grain, making them tougher and more durable.

PLAIN BLADES

Size	Price
18" 11 gauge	8.99
18" 11 gauge	7.29
18" 9 gauge	8.99
20" 9 gauge	13.49
22" 7 gauge	15.99
24" 1/4" thick	25.99
24" 1/4" (round axle)	27.99

24" DISC BLADES

Must be ordered from our warehouse.



5⁹⁹
Reg. 7.79 / SAVE 23%
18085-002 Right Hand
18089-002 Left Hand

Twisted Chisel Spikes
Uses 2 1/4"-2 1/2" spacing.



23⁹⁹
Reg. 26.99 / SAVE 3.22
13998-272

35 Lbs. Lithium Grease



FARM & FAMILY CENTER

CHAMBERSBURG

1351 Lincoln Way East, Ph. 717/264-8282
Open 9-6 Mon.-Thur. / 9-9 Fri. / 9-5 Sat.

NOW OPEN!

CONNELLSVILLE

Laurel Mall Shopping Center
Rt. 119 South, Ph. 412/628-9500
9-8 Mon.- Sat. / 12-5 Sunday

LANCASTER

1570 Manheim Pike, Ph. 717/569-0111
Open 8:30-5:30 Mon.-Fri. / 8:30-5:00 Sat.

QUAKERTOWN

Quakertown Plaza Shopping Center
Rt. 309 & 313, Ph. 215/538-2494
9-6 Mon-Wed/9-9 Th & Fri/9-5 Sat/12-5 Sun