



DIAMOND CAGE SYSTEMS

*Serving The Poultry Industry
For Over 20 Years*

THE SPACE SAVER - 4 or 5 HIGH STACKED The Most Efficient System On The Market For New Houses Or Conversions.

Thinking about making better use of your old poultry houses? Here's the answer

With Diamond's 4-High Stacked Layer Cage System, you can increase the bird density of an old stair-step cage house from 30,000 birds to 108,000. And that's without adding a single square foot of floor space. The system 811 is just 73" high and 60" wide.

If ceiling height permits, you can increase bird density even more - up to 135,000 birds with the 5-High System 812 or 162,000 birds with the 6-High System 813.

With new construction, you reduce your over-all investment per bird by putting more birds in a building and utilizing the otherwise wasted vertical space.

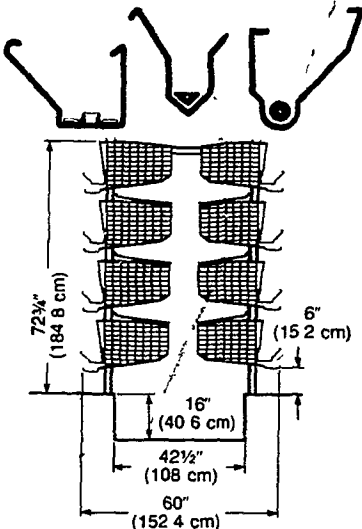


House Capacity, 4 High Stacked

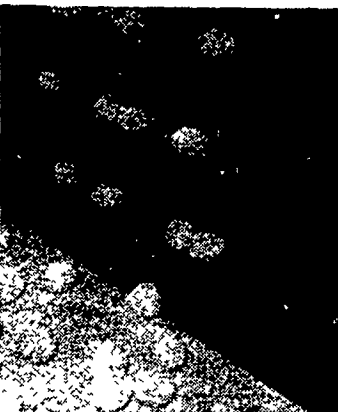
- 4 Rows - 200' - 28,800 Birds
- 4 Rows - 300' - 43,200 Birds
- 6 Rows - 400' - 86,400 Birds

The Diamond Stacked Layer Cage System is available with your choice of three feeding systems...the Flat Chain, F-80 Deep "V", or Link Chain. And three watering systems...troughs, cups, or nipples. Doors are located on front of all cages. Installation is fast and easy.

Three feeding systems



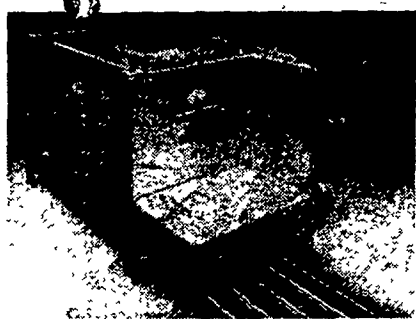
Manure is deposited on rust-proof, fiber glass manure chutes under each tier of cages and removed automatically by a Diamond manure removal system proven over 12 years.



Eggs are collected automatically by a special high-capacity system designed for the Stacked System. Plastic or woven fabric belts are available. Let Diamond take you higher than anyone else in the business, with the new Stacked Layer Cage System.

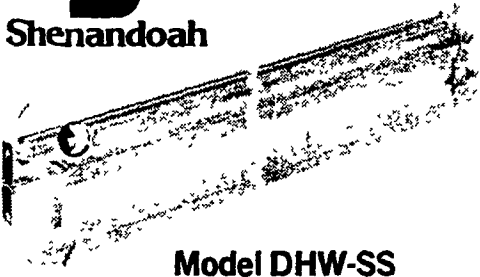
Super High House Density Means Lower Investment Per Bird.

For producers who want the maximum house density in new facilities or converted buildings, Diamond has developed the Stacked Layer Cage System. This new system is available for deep pit houses and houses with pit scrapers or flat concrete slab.



DIAMOND SYSTEMS FLAT CHAIN FLOOR FEEDER

S
Shenandoah



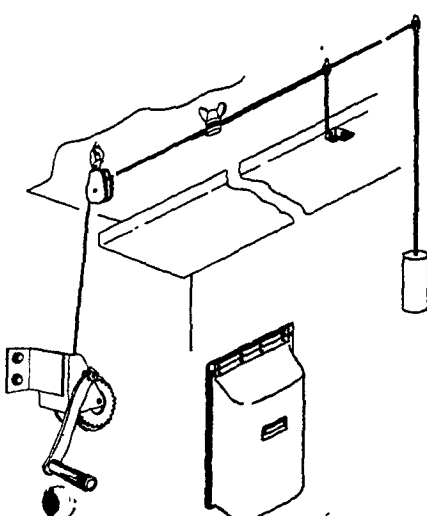
Model DHW-SS

STAINLESS STEEL 8 FT. HANGING WATERERS

From One Day To Finishing

POULTRY & HOG FARMERS

Let Us Show You The Adjust-A-Baffle Ventilation System



Adjust-A-Baffle® is made of rugged white PVC plastic and has an attractive flexible PVC hinge. Adjust-A-Baffle® is four-sided and is filled with Styrofoam™ insulation which provides a high insulation value and makes the baffle rigid.

PVC plastic won't rust or corrode and there is never a paint problem.

BIG DISCOUNT PRICES ON HOG FEEDERS IN STOCK

CHECK OUR PRICES
FIRST
Call Our Toll Free Number
1-800-732-0053
(For Area Codes 215 & 717)

★ FULL LINE PARTS DEPARTMENT ★ WE SELL, SERVICE & INSTALL
EMHERR EQUIPMENT, INC.
RD 1, Rt. 272 S., Herrville Rd.,
Willow Street, PA
Phone: 717-464-3321
Serving The Industry for
Over 20 Years

New Grange forms in Lancaster Co.

LANCASTER — A new Grange will soon be organized in Lancaster County in the Elizabethtown area that will be open to anyone in northwestern Lancaster County, eastern Dauphin, or southern Lebanon County.

The first meeting will be held on Tuesday, Feb. 9, at 8 p.m. in the basement meeting room of the Commonwealth National Bank on the square in Elizabethtown.

Charles Wismer, a dairy farmer from Montgomery County and Master of the State Grange, and Harry Massey, National Membership chairman, will be present at the meeting to discuss the organization and benefits of Grange membership.

Originating in 1867 as the "Patrons of Husbandry", the Grange has been a strong voice in rural affairs, promoting rural free mail delivery, rural electric service, rural highways and bridges, soil and water conservation, and agricultural research. More recently, the Grange has been a strong advocate

of farmland preservation, water rights for agriculture, and helping farmers in oil and gas leasing.

Presenting, Pennsylvania has 570 Granges with 44,000 members. If there is more than one Grange in a county, a county or "Pomona" Grange is formed which sets county policies and resolutions that are taken to the State Grange meeting which will be held this Oct. in Carlisle.

At present, there are three Granges in Lancaster County, all located in southern and eastern Lancaster County. The Fulton Grange is the largest having over 250 members, and will be the sponsor for the new Grange.

Grange membership is open to men and women having an interest in the rural affairs of their community. Grange puts much emphasis on the family, providing a place for rural neighbors to meet and socialize.

For more information, contact Ken Myer at 367-3344 or Tom Johnston at 626-5183.

Wool Growers reelect Meike

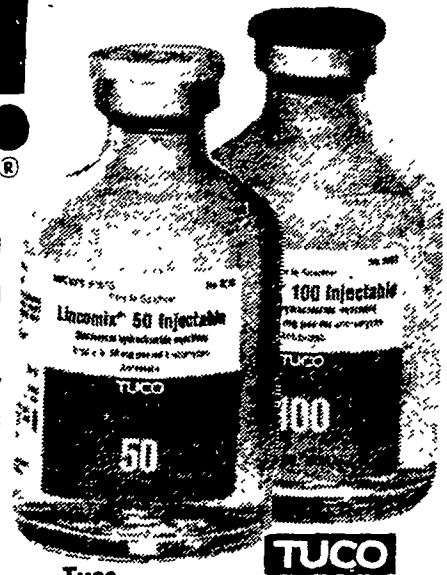
PORTLAND, Ore. — Don Meike, a Kaycee, Wyoming sheep rancher, was elected to a second term as the chairman of the board for the National Wool Growers Association here at their recent meeting. Nearly 600 sheep growers and their spouses attended the 117th Annual meeting of the Wool Growers, the nations oldest livestock organization.

Meike was applauded by his membership for his service as a top elected official of the sheepman's group. Under his previous

term, the sheep industry has seen a renewal of the National Wool Act, action on lamb imports and developments that hold potential improvement on the predatory animal issue.

Other officers elected by the NWGA included Norman Rousselot of Sonora, Texas as vice chairman; Steve Gillmor of Salt Lake City, Utah as secretary; Bob Geaney of Myrtle Point, Oregon to the post of treasurer. Next year's convention will be held in Oklahoma City, Oklahoma.

FREE! LINCOMIX® INJECTABLE BUY 3, GET 2 MORE FREE!



Tuco
LINCOMIX INJECTABLE 50 mg
480-2250 .50cc \$6.99
15 or more ea. \$6.25

Tuco
LINCOMIX INJECTABLE 100 mg
480-2255 .50cc \$11.75
15 or more ea. \$11.25

LIMITED TIME ONLY • OFFER EXPIRES FEB. 28, 1982
We reserve the right to limit quantities

Unbeatable protection — Mycoplasmal pneumonia and infectious arthritis are two of the biggest profit-robbers in the hog business. Lincomix® Injectable is a reliable way to put a stop to these diseases before they get a foothold. Using the recommended injection program at the first signs of disease will make quick work of mycoplasmal pneumonia and infectious arthritis — and will protect profits that would otherwise be lost to poor performance, condemnation, or excessive trimming at slaughter.

At an unbeatable price — There's no better time than right now to put Lincomix Injectable to work in your herd health program. Because now, we'll give you two free when you purchase three of the same concentration.

This special offer applies to both the 50 mg/ml and 100 mg/ml concentrations, and is good for a limited time only.

So see us for Lincomix Injectable soon. You'll get strong help against two tough diseases, and you'll save money doing it.

TOLL-FREE

800-321-0235

Call Now for Immediate Delivery!

pbs livestock drugs®
P.O. Box 9101 • Canton, Ohio 44711