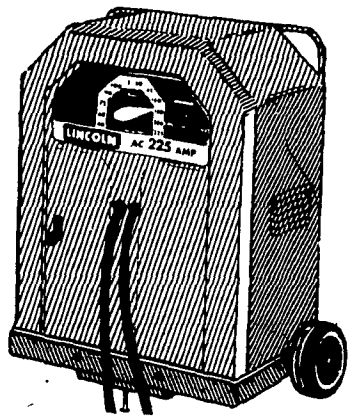


CENTRAL TRACTOR FARM & FAMILY CENTER



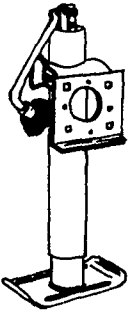
TRUCKLOAD SALE!

Hurry!
Sale prices good now through Sat., Feb. 13, 1982



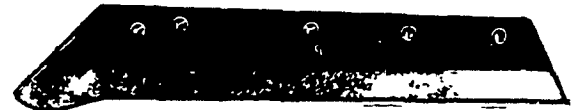
137⁹⁹
Reg. 147.99 / SAVE 10.00
18040-115

Lincoln 225 Amp Arc Welder
Includes ground clamp. Insulated electrode holder, 15' electrode cable, 10' ground cable, 6' input cable with plug, female receptacle and helmet. Uses 220 volt, 60 cycle power source. Wheels not included.



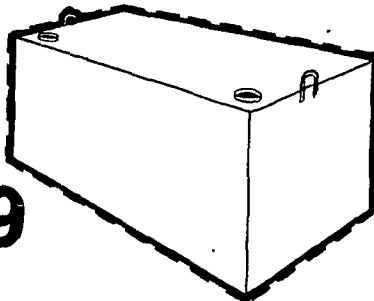
19⁹⁷
Reg. 26.99 / SAVE 7.02
12656-040

Swivel Jack
Flat bottom. Assembly may be turned 90° horizontal or vertical. Locking handle holds device in any position.



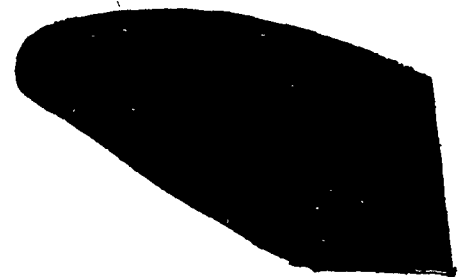
Rock Shares
MADE IN U.S.A.

Size	Stock No	Price
For Allis Chalmers all 14"	16017-002	8.19
For Case 16" 3 and 4 hole	16056-002	8.79
For John Deere 14" 4 hole	16021-002	7.59
For John Deere 16" 4 hole	16023-002	7.59
For Ford 14" 4 hole	16058-002	7.59
For Ford 16" 4 hole	16072-002	7.99
For IHC 14" 4 hole	16027-002	8.49
For IHC 16" 4 hole	16029-002	8.79
For Massey Ferguson 14" 4 hole	16059-002	7.59
For Oliver & M M 14" 4 hole	16035-002	8.49
For Oliver & M M 16" 4 hole	16037-002	8.79



99⁹⁹
Reg. 119.99 / SAVE 20.00
22066-176 Single Compartment

139⁹⁹ Reg. 159.99 / SAVE 20.00
22065-176 Double
Portable Fuel Tank
110 gallon capacity. 3/4" drain and 2" fill and vent opening. Includes lifting hooks. 2'x2'x4". Prices do not include F.E.T.

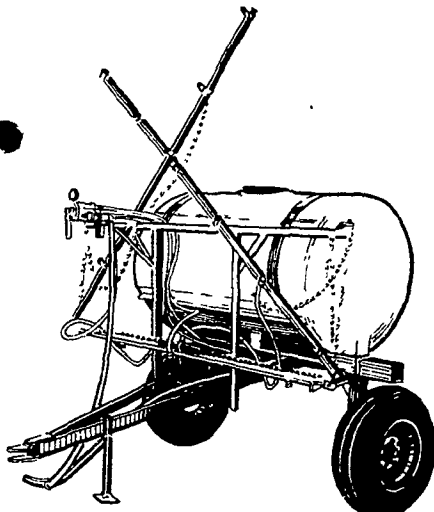


Everyday Low Price MOLDBOARDS

All fitted plow moldboards are furnished with bolts and are polished and dipped Made of top quality solid steel.

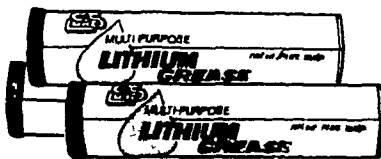
For Plows With Throw-A-Way Shares

Model	Mfg No	Stock No	Price
Deere 14"	HS314	16993-263	38.75
Deere 16"	HS316	16994-263	45.99
John Deere, NU 14"	AA14884	16798-263	48.75
John Deere, NU 16"	AA14885	16799-263	51.99
Ford 14"	104409	16996-263	40.99
Ford 16"	104412	16997-263	45.75
IHC Super-Chief 14"	522328R1	16700-263	39.25
IHC Super-Chief 16"	522329	16701-263	41.99
IHC Super-Chief Hi-Speed 14"	462313	16800-263	44.95
IHC Super-Chief Hi-Speed 16"	462314	16801-263	45.95
Minneapolis-Moline or Oliver 14"	R419-14	16766-263	41.95
Minneapolis-Moline or Oliver 16"	R619-16	16767-263	43.99



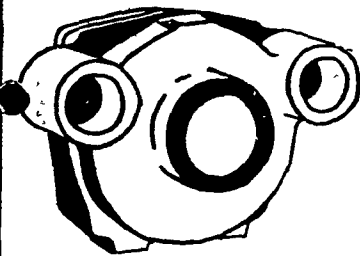
899⁹⁹
Reg. 969.99 / SAVE 70.00
200 Gallon 16440-100

1039⁹⁹ Reg. 1129.99 / SAVE 90.00
300 Gallon 16511-100
Field Sprayer
Polyethylene tank, 8-way selector valve, 20 gallon tips, 2 braid hose, 3/4" suction hose and 3/4" nylon type strainer 8 row boom, tread easily adjustable from 51" to 88", comes less pump and tires.



59¢
Reg. 79¢ / SAVE 25%
13999-272

Grease Cartridges
Top quality, multi-service, Super Lithium grease 25 cartridges per case



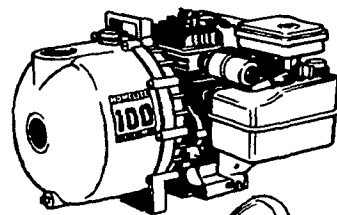
52⁸⁸
Reg. 55.99 / SAVE 3.11
6 Roller Pump 16380-100

69⁷⁷ Reg. 73.77 / SAVE 4.00
7 Roller Pump 16470-100
Roller Pumps
Backport pump with quick coupler, jumbo nylatron rollers, cast iron body with stainless steel drive shaft. Pump capacity is 9.2 gpm at 550 rpm. Pressure range is 0 to 200 psi.



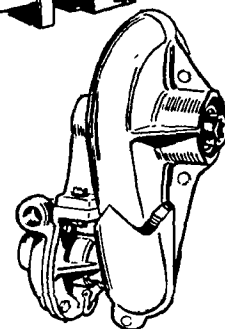
17⁴⁷
Reg. 20.88 / SAVE 3.41
27800-285

50 Lbs. Milk Replacer
Higher quality than many milk replacers on the market. Compare for yourself and see the difference the quality can make in your animals.



199⁹⁹
Reg. 209.99 / SAVE 10.00
16563-100

Gas Powered Centrifugal Pump
Self priming, lightweight, high volume portable pump. Ideal for transferring agricultural chemicals from nurse tank to applicator tank. 3 H.P. gas engine, 90 GPM @3600 RPM. 1/2" NPT inlet and discharge.



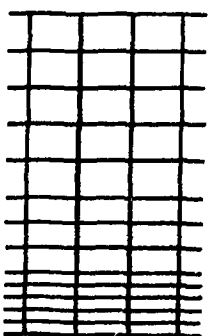
157⁷⁷
Reg. 167.77 / SAVE 10.00
16475-100

Ace Centrifugal Pump
Mounts directly on power take-off shaft. Sprays 20 gpm at 60 psi when driven by 600 rpm PTO. All iron construction, sealed ball bearings, spring loaded idler, OSHA approved safety shield.



54⁹⁹
Reg. 65.99 / SAVE 11.00
3"x8" 6501-017

62⁹⁹ Reg. 69.99 / SAVE 7.00
3 1/2"x8" 6585-017
Tie Rod Cylinder
Double acting. Up to 2500 psi, 20 1/4" retracted length, 8" stroke, 1 1/8" rod diameter.



16⁸⁸
Reg. 17.95 / SAVE 1.07
24691-282

Hog Panel 16' x 34"
This rugged, one-piece panel is constructed with 1/4" steel which assures long service life with no sag, no stretching, or bracing is required.



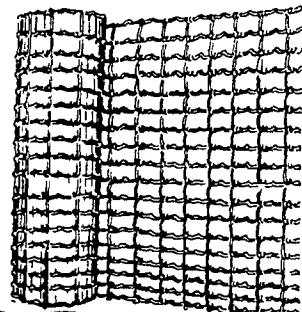
254
Reg. 2.85 / SAVE 10%
24677-282

6' Steel "T" Post

276
Reg. 3.15 / SAVE 12%
24690-282

6 1/2' Steel "T" Post

Strong, durable studded "T" post with enamel finish for longer life. Includes five clips for attaching fence to post.



99⁹⁹
Reg. 109.99 / SAVE 10.00
24678-282

39" Field Fence
6" between stays with 11 gauge filler wires and 9 gauge top & bottom wires.

114⁹⁹
Reg. 124.99 / SAVE 10.00
24681-282

47" Field Fence
20 rod rolls has that dollar-value quality for a number of important reasons. Galvanized coating provides resistance to corrosion, weathering elements and livestock wastes. Springy tension curves to help fit fence to contour of land. 6" between stays with 11 gauge filler wires and 9 gauge top & bottom wires. Insures strength.

20⁸⁸
Reg. 21.95 / SAVE 1.07
24693-282

Du-A-Lot Combination 16' x 52"
Same as above with advantage of use for cattle and hogs



729
Reg. 7.79 / SAVE 6%
16085-002 Right Hand
16089-002 Left Hand

Twisted Chisel Spikes
Uses 2 1/4"-2 1/2" spacing.

Many more items on sale in our Annual Truckload Promotion

CENTRAL TRACTOR FARM & FAMILY CENTER

CHAMBERSBURG
1351 Lincoln Way East. Ph 717/264-8282
Open 9-6 Mon -Thur / 9-9 Fri / 9-5 Sat

QUAKERTOWN
Quakertown Plaza Shopping Center
Rts 309 & 313. Ph 215/538-2494
9-6 Mon -Wed / 9-8 Thurs & Fri / 9-5 Sat / 12-5 Sun

LANCASTER
1570 Manheim Pike, Ph 717/569-0111
Open 8 30-5 30 Mon -Fri / 8 30-5 00 Sat

MILLVILLE, NJ
Wheaton Plaza Shopping Center
1215 North High Street Ph 609/327-0150
8-8 Mon -Fri / 8-5 Sat / 12-5 Sun

All items are subject to stock on hand. We reserve the right to limit quantities. Sale ends on the above date.