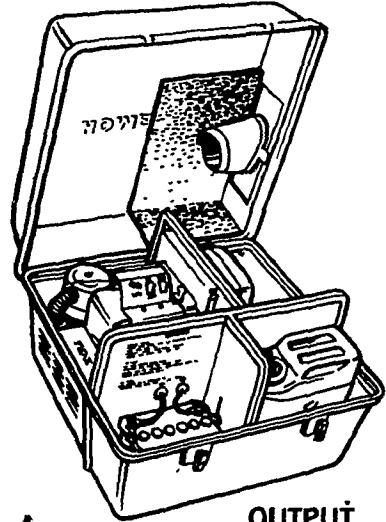
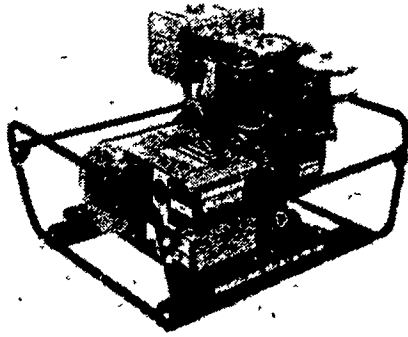


DON'T GET LEFT OUT IN THE DARK, OWN YOUR OWN POWER & LIGHT COMPANY



MODEL	H.P.	OUTPUT WATTS	SALE PRICE
HSB-50	11	5000	\$1849.95

• Briggs & Stratton Engine, Electric Start, Inclosed Unit Includes Extra Fuel Tank. Hook This Unit Up Directly To Your Home. Stores Outside.

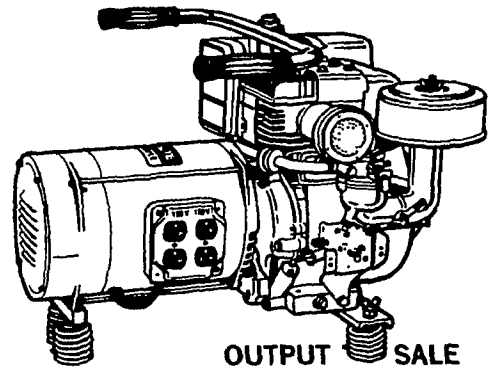


MODEL	H.P.	OUTPUT WATTS	SALE PRICE
176A35	8	3500	\$995.00
178A50	10	5000	1395.00
180A75	16	7500	1995.00

• Heavy Duty Contractor Generators
• Briggs & Stratton Engines, 20 & 30 AMP, 120 & 240 Volt, Loadmatic Idle Control

1 - Used 176A35, 8 HP, 3500 Watt New Short Block \$695.00

HOMELITE GENERATORS



MODEL	H.P.	OUTPUT WATTS	SALE PRICE
E1350	3	1300	\$395.00
E1700	4	1700	475.00
E2250	5	2250	575.00
E3000	7	3000	675.00
E4000	8	4000	875.00

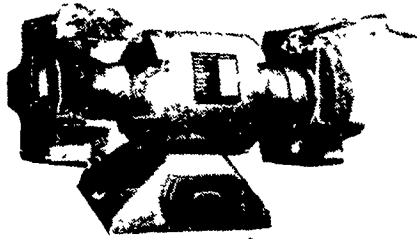
• Briggs & Stratton Engines
• 20 AMP - 120 Volt Receptacles

DURACRAFT HAND & POWER TOOLS

ALL BALL BEARING

BENCH GRINDERS

Heavy Duty Construction



1/2-h.p.
3/4-h.p.
2-h.p.

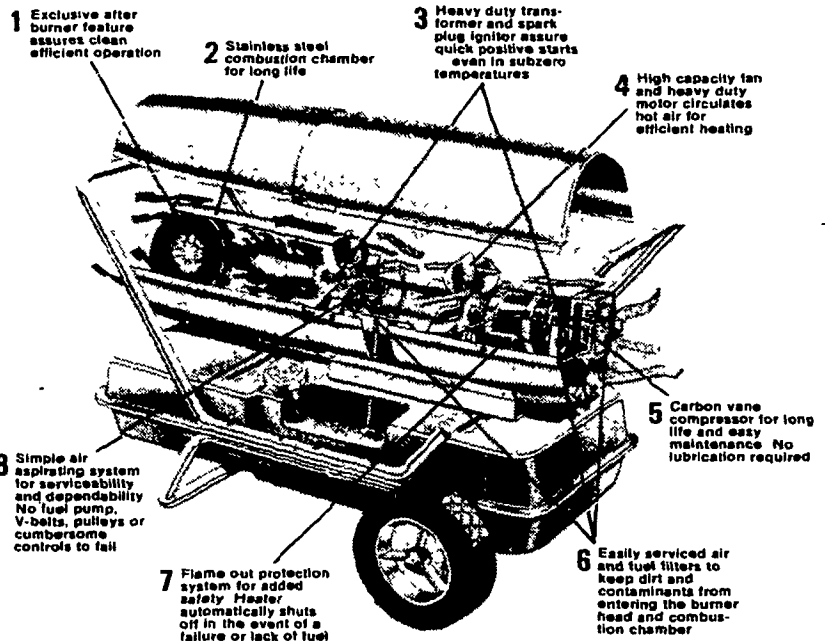
COMPARE THESE FEATURES...

DURACRAFT Grinders are quiet running and are ideally suited to grinding of heavy stock, cutting or polishing. The precision balanced wheels insure smooth operation and the rugged copper wound motors offer years of dependable service. These features can only be found on units costing as much as twice the Duracraft: Spark deflectors — Rear dust ejector — removeable wheel guards — solid cast iron base — heavy duty eye shields — adjustable work rests — push-pull switch.

MODEL NO.	H.P.	WHEEL DIA.	WHEEL FACE	RPM	WEIGHT
50-6	1/2	6"	1/2"	3450	42 lbs.
75-8	3/4	8"	3/4"	3450	66 lbs.
200-10	2	10"	1"	1725	120 lbs.

6" 1/2 H.P. GRINDER
Model 50-6
Reg. \$59.95
We Will Ship UPS **\$47.95** Special

8 Reasons Why A REDDY HEATER Outperforms All others



1 Exclusive after burner feature assures clean efficient operation

2 Stainless steel combustion chamber for long life

3 Heavy duty transformer and spark plug ignitor assure quick positive starts even in subzero temperatures

4 High capacity fan and heavy duty motor circulates hot air for efficient heating

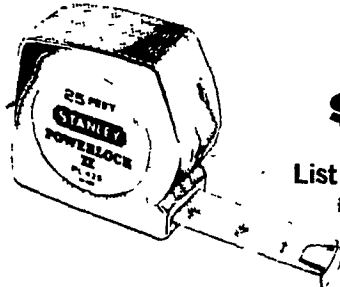
8 Simple air aspirating system for serviceability and dependability. No fuel pump, V-belts, pulleys or cumbersome controls to fail

7 Flame out protection system for added safety. Heater automatically shuts off in the event of a failure or lack of fuel

6 Easily serviced air and fuel filters to keep dirt and contaminants from entering the burner head and combustion chamber

5 Carbon vane compressor for long life and easy maintenance. No lubrication required

STANLEY 25 FT. POWERLOCK II TAPE RULE

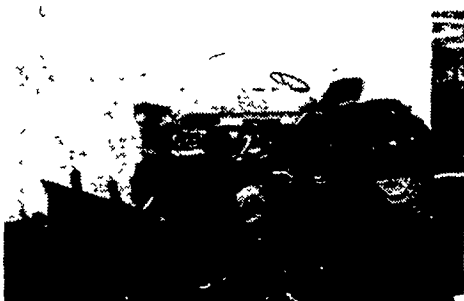


\$9.97
List Price \$15.49
#33-425T

DEMONSTRATOR KUBOTA L295 DT DIESEL TRACTOR

30 H.P. Kubota 3 cylinder Engine
8 Speed Transmission, 3 Speed PTO, Power Steering, With 6 ft. Power Angle Blade.

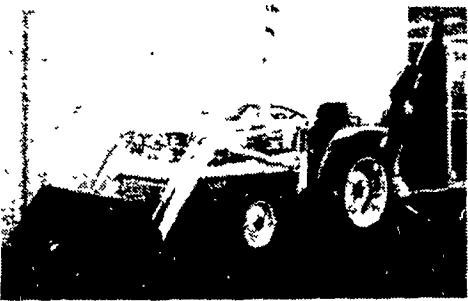
New List Price \$10,975.00
Special Price **\$7995.00**



DEMONSTRATOR BOLENS G244 DIESEL TRACTOR

24 H.P. Isuzu 2 Cylinder Engine
9 Speed Transmission, 2 Speed PTO With Loader and Backhoe, Aux. Hydraulic Pump Kit, 185 Hours

New List Price \$13,475.00
Special Price **\$8995.00**



NEW TECOMSEH 16 H.P. CAST IRON BLOCK, OVERHEAD VALVES FUEL TANK w/ELECTRIC

START
\$595.00

USED MILLER MATIC 35 MIG WELDER

Complete With The Following Accessories:
Gas Regulator and Hose, Ground Clamp & 10 ft. Cable, 12 ft. Gun and Gun Assembly, Heavy Duty Helmet, 22 ft. Power cord and Plug, 1-30 lb. Roll .035 Wire, Custom Wheel Cart, With Exclusive Spot Panel.

★ We Now Stock A Full Line of Replacement Parts For • REDDY • KNIPCO • CENTURY • GUARDIAN Portable Oil-Fired Heaters, We Will Ship Heater Parts UPS

Used Midwest 14 ft. Grain Body with 28" Wood Sides & 12" Extensions, and 10 Ton Single Cylinder Hoist **\$2250.00**
PTO & Installation Extra

Used 12 ft. Grain Body with 38" Wood Sides and 8 Ton Two Cylinder Hoist **\$1850.00**
PTO & Installation Extra

Used Morgan 20 ft. Grain Body

We Have Tractor Tire Chains In Stock



MULTI-MIX 2 CYCLE ENGINE OIL

A premium quality ashless oil formulated to meet the most critical demands of high-performance 2-cycle engines, air or water-cooled, including out-board motors, snowmobiles, chainsaws, lawnmowers, portable generators, motorcycles, and mopeds

1 Case of 12 Quarts **\$23.95**

DRYDENE STARTING FLUID

11 Fluid Oz.

1 Case of 12 Cans **\$14.95**



FARMERSVILLE EQUIPMENT INC.

WHITE - BRILLION -
BUSH HOG - FOX -
VICON - KUBOTA -
BOLENS - HOMELITE -
ECHO - HARSH -
OMAHA STANDARD

RD 4, East Farmersville Road, Ephrata,
PA 17522
Located in the Village of Farmersville,
Lancaster County
717-354-4271

Hours: Mon., Tues., Wed. & Fri. 7:30 A.M. to 5:30 P.M.
Thurs. to 8 P.M. Sat. till 3 P.M.

