

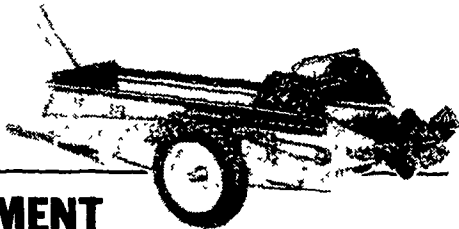
FARM EQUIPMENT

FARM EQUIPMENT

FARM EQUIPMENT

FARM EQUIPMENT

**206 GROUND DRIVE SPREADERS IN STOCK**



**TRACTORS**

Case 870 D  
Case 1170 Cab  
Case 930  
Case 1070 D  
Case 1370 C-A-H  
IH 660 D  
MF 2135 Turf  
AC 7040 C-A-H  
AC 7080 C-A-H  
DB 1200 D

**LOADERS**

Case 380  
1530 Uniloader  
Uniloader Broom  
1830 Uniloader  
1845D Uniloader

**USED EQUIPMENT**

**UNI-SYSTEM**

701 Power Unit  
702G w/combine  
767 harvester  
762 row crop  
760 hay pickup  
730 4RW Head

**NEW IDEA**

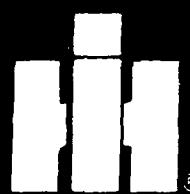
Manure Spreaders  
212, 213, 214,  
224, 218  
325/314 picker sheller  
325/327 Picker  
329 Super Sheller

**FORAGE**

Gehl 600 harvester  
J.D. 65 blower  
N.H. 1880 SP  
**MISCELLANEOUS**  
Ford 101 plow  
Hesston PT 10  
JD 12' Disc Harrow  
NH Lime Drill  
Lilliston 6' Mower

**A.L. HERR & BRO.**

PARK AVE., QUARRYVILLE, PA 17566 PHONE: 717-786-3521



**MESSICK FARM EQUIPMENT**

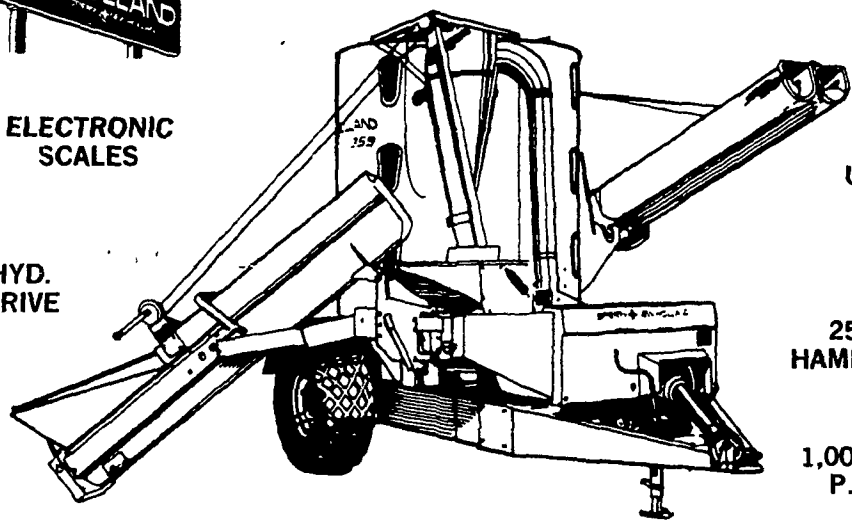
**N.H. MODEL 359 GRINDER-MIXER**

150 Bushel Tank



ELECTRONIC SCALES

HYD. DRIVE



REMOTE CONTROL UNLOADING AUGER

25 INCH HAMMERMILL

1,000 RPM P.T.O.

**WANTED!**

GOOD USED GRINDER MIXERS AND SPREADERS ALLOWING TOP \$\$\$ ON TRADE-INS

**TRACTORS**

IH 574D Row Crop  
IH Farmall M Tractor  
IH 806 Tractor  
JD 420, 3 pt. Hitch, Power Steering, Wide Front  
Oliver 77 Tractor  
IH 444 D, 3 pt. Hitch  
IH 706 D, Tractor, 3 pt. Hitch

**HAY EQUIPMENT**

NH Model 850 Round Baler  
IH 37 Baler w/Thwr.  
NH 275 Baler w/Thwr.  
NH 489 Haybine, Ex.  
NH Model 495 Haybine, 12 ft. ex.  
NH 276 Baler w/58 Thwr.  
JD 1209 Mower Conditioner  
IH 990 Mower Conditioner  
IH 7 ft. Sickle Bar Mower, Good Condition  
NI Hay Rake  
AC 303 Baler (Excellent)  
MF #3 Baler  
Gehl 880 Haybine  
IH Model 15 Rake

**PLANTERS**

JD 494A 4 Row Planter  
IH 56 2 Row (Perfect Condition)  
Ontario Grain Drill 13x7

**GOOD CLEAN USED EQUIPMENT**

**TILLAGE EQUIPMENT**

JD 10 Ft. Cult. Mulcher  
Brillion 7 Tooth Chisel, Like New  
Bush Hog 8 Tooth Chisel, Like New  
Oliver 3 Bottom Plow  
IH 531 Plow  
IH 9A Disc Harrow  
JD KBA Transport Disc Harrow  
IH 450 Plow 3 Bottom Auto Reset  
IH 37 Disc Harrow 11 Ft. 6" Cut  
Brillion 10 Ft. Packer  
Brillion 12 Ft. Cult-Mulcher

**SPREADERS**

NH 519 Spreader, Hyd. Gate, Splash Guard, Excellent Condition.  
New Idea Spreader, Model 217, Hyd. Gate, Cylinder & Hoses, Very Good  
NH 362 Tank Spreader  
NH 510 With End Gate  
NH 327 Spreader (Nice)  
New Idea 175 Bu. Single Beater

**HARVESTING EQUIPMENT**

NH 1400 Combine with 2 Corn Heads, 1 Wide, 1 Narrow, 1 13 Pt. Platform, Ex. Cond.  
IH Model 234 Mtd. Corn Picker  
NH 770 R2 Corn Head  
NH Self Propelled 818 Diesel Harvester  
IH 650 2 Row Cornhead and Pickup Attachment  
Grove Forage Box Wagon, Ex. Cond.  
Fox 3310 Harvester, Super Excellent Condition  
1880 N3 Corn Head  
NH 36 Chop Chopper

**SKID LOADERS**

NH Model L775 Skid Loader, 60 H.P., Low Hours, New Condition.  
Skid Loader Trailer, Tandem Axle With Brakes & Lights

**MISCELLANEOUS**

Several Used Cub Cadets  
1200 Gal. Aluminum Sprayer  
Nurse Tank  
Myers 7 Ft. Snow Plow, Fit. Tractor or Truck

**Depend on us for service after the sale**

We're dedicated to providing good service as long as you own your John Deere equipment. For quality parts, modern shop facilities, expert service, know-how, count on us. We stand behind what we sell.



**SPECIAL:**

**10% DISCOUNT**  
On All Parts and Labor On Service Work Scheduled During January!

**SHOTZBERGER'S EQUIPMENT**

ELM, PA

717-665-2141

John Deere design, dependability and dealers make the difference



**COME TO WHERE THE MIXERS ARE IN STOCK**

**Make every bite right.**

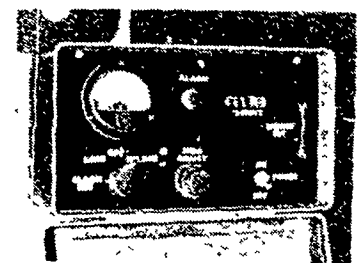
Combine Ensilmixer® feed mixer, with scales, and a Jamesway® TMR system.



You can increase production. Reduce feed costs. And improve labor efficiency. All, when you use an Ensilmixer feed mixer, with scales, by Oswalt® to round out your Jamesway Total Mixed Ration (TMR) feeding system (including silage distributor-unloaders, conveyors and cattle feeders). Or, use it with any mechanized feeding system. Whether you prefer the stationary, trailer-mounted or truck-mounted model, it's a real profit-building management tool.

Precisely weighs ingredients. Accurate weighing means consistent, balanced rations; eliminates waste. Lets you calculate the amount of feed needed and mix that much. Weigh bar system is standard, electronic scales optional.

Unique mixing pattern blends feed thoroughly. Three augers move feed from front to back and side to side. Reverse fighting at both ends lets feed fall freely for recirculation or discharge by the bottom auger. Uniformly mixes even partial loads.



That's why the Ensilmixer feed mixer, with scales, and TMR feeding system are right for you as well as your cattle. And, can help make farming just a little bit better. Ask your Jamesway Power Choring dealer.

We Have Models In Stock - Available At:

**DEPENDABLE MOTOR CO.**

East Main St., Honey Brook, PA  
215-273-3131 — 273-3737



**Ensilmixer® feed mixer from JAMESWAY®**

The performance leader... making the good life better

COMING...OPEN HOUSE & SALES DAYS...FEB. 10, 11, 12, 13

**MESSICK FARM EQUIPMENT, INC.**

RHEEMS EXIT - RT. 283, ELIZABETHTOWN, PA  
PHONE: 717-367-1319, 653-8867

WARREN SPICKLER — HOME 653-4560 RAYMOND MILLER — HOME 653-8762

★ WE SHIP UPS

