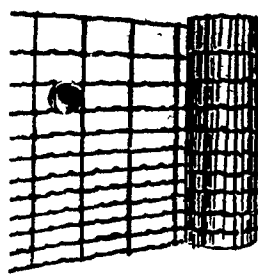
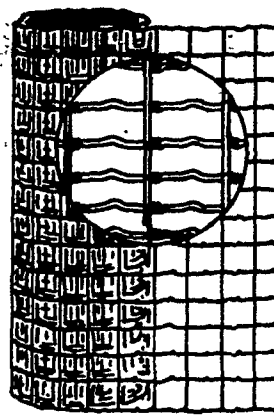


W
S



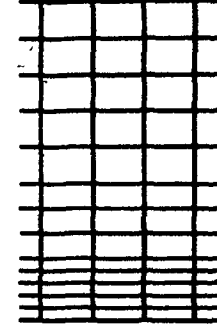
99⁹⁹

Reg. 109.99 / SAVE 10.00
24678-282
39" Field Fence
6" between stays with 11 gauge filler wires and 9 gauge top & bottom wires.



72⁹⁹

Reg. 77.99 / SAVE 5.00
24706-282
39" Field Fence
6" between stays with 12.5 gauge filler wires.



20⁸⁸

Reg. 21.95 / SAVE 1.07
24693-282
Du-A-Lot Combination
16' x 52"
Same as above with advantage of use for cattle and hogs.

We have **POULTRY NETTING** in stock. Call for sizes & prices. Also, check our low price on 12 1/2 gauge 4 point American made barb wire.

114⁹⁹

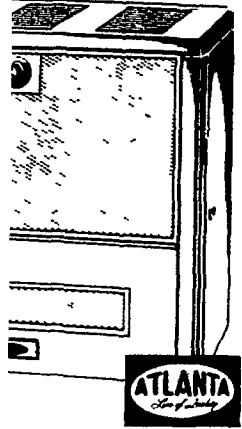
Reg. 124.99 / SAVE 10.00
24681-282
47" Field Fence
20 rod rolls has that dollar-value quality for a number of important reasons. Galvanized coating provides resistance to corrosion, weathering elements and livestock wastes. Springy tension curves to help fit fence to contour of land. 6" between stays with 11 gauge filler wires and 9 gauge top & bottom wires. Insures strength.

83⁹⁹

Reg. 88.99 / SAVE 5.00
24707-282
47" Field Fence
20 rod rolls has that dollar-value quality for number of important reasons. Galvanized coating provides resistance to corrosion, weathering elements and livestock wastes. Springy tension curves to help fit fence to contour of land. 6" between stays with 12 1/2 gauge filler wires and 11 gauge top & bottom wires. Insures strength.

16⁸⁸

Reg. 17.95 / SAVE 1.07
24691-282
Hog Panel
16' x 34"
This rugged, one-piece panel is constructed with 1/4" steel which assures long service life with no sag, no stretching, or bracing is required.



CLEARANCE
1999
SAVE 60.00

Wood & Coal
Reader® Stove
Hard coal burner and too! Cast iron & tem- construction. Heavy on roller grate. Coal down for easy load- ed fire box helps to temperatures high, to burning efficiency. y up to 50lbs. Wood 8". Wt 208 lbs. 33 x 25

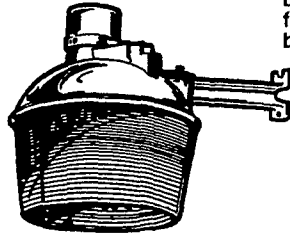


254

Reg 2 85 / SAVE 10%
24677-282
6' Steel "T" Post

276

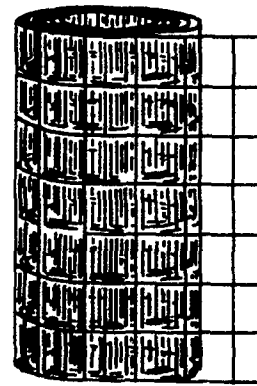
Reg 3 15 / SAVE 12%
24690-282
6 1/2" Steel "T" Post
Strong, durable studded "T" post with enamel finish for longer life. Includes five clips for attaching fence to post.



29⁹⁹

Reg. 39.99 / SAVE 10.00
28200-311
Mercury Vapor Security Light

Light turns on automatically at dusk and off at dawn. Mercury vapor bulb gives 2 1/2" times the lighting capacity with 16,000 hours average bulb life. Comes complete with aluminum support, lamp, photo control, and hardware.



Welded Wire Fence
50 ft. 14 gauge, welded wire fence. Sturdy welds keep mesh spacing uniform and distortion free.

2" x 4" x 48" SALE **18⁹⁹**
24696-282 Reg 22 99

2" x 4" x 60" SALE **23⁹⁹**
24697-282 Reg 27 99

2" x 4" x 72" SALE **28⁹⁹**
24698-282 Reg 32 99

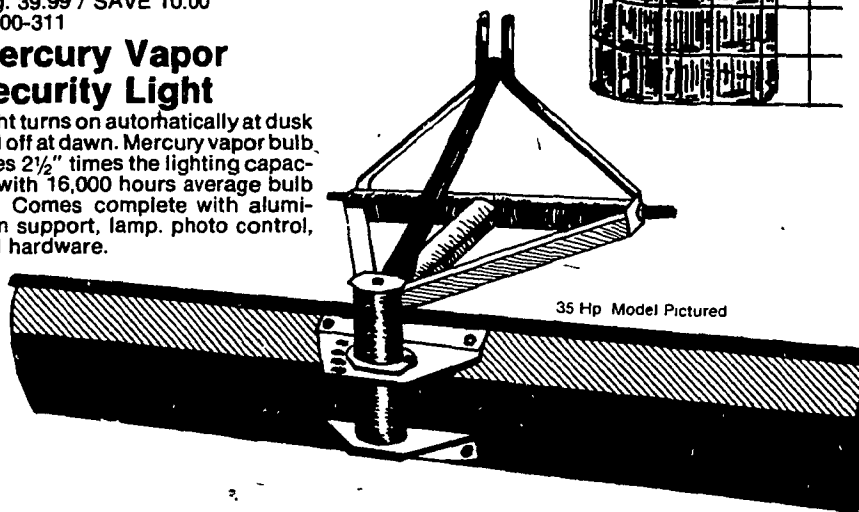
SAVE up to 20⁰⁰

Three Point Tractor Blades

6' 30 Hp. Rating SALE **149⁹⁹**
20250-157 Reg 169 99

6' 35 Hp. Rating SALE **199⁹⁹**
20229-157 Reg 219 99

7' 35 Hp. Rating SALE **229⁹⁹**
20225-157 Reg 249 99



er for above.
g. 114.99 SALE 99.99
steadier wood only
to 22" SALE 319.99
Reg. 389.99
ove SALE 64.99
Reg. 79.99



1747

Reg. 20.88 / SAVE 3.41
27800-285

50 Lbs. Milk Replacer

Higher quality than many milk replacer on the market. Compare for yourself and see the difference the quality can make in your animals.

All items are subject to stock on hand. We reserve the right to limit quantities. Sale ends on the above date.

988
4.88 / SAVE 5.00
022

iece Wrench Set
nation box and open end in
roll-up pouch. Sizes 3/4" to

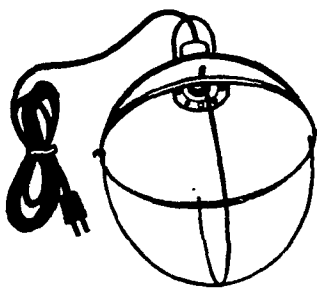


527

Reg. 6 27 / SAVE 1 00
19008-141

Combiotic

Treats footrot, pneumonia, shipping fever, wound infections, joint infections. 100cc bottle.



429

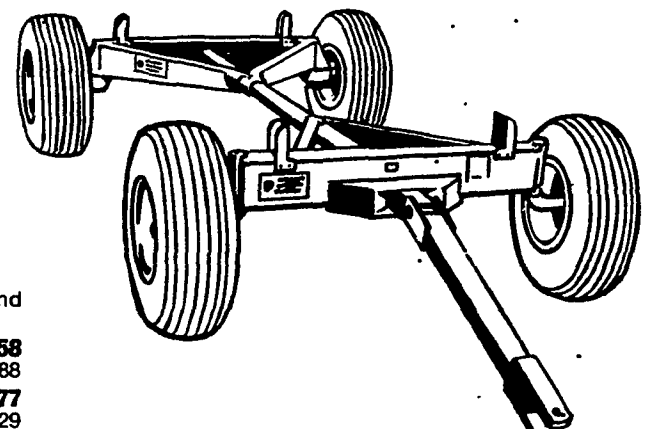
Reg 4.59 / SAVE 6%
9588-055

Hanging Brooder Lamp

Reflector, porcelain socket, and wire bulb guard. UL approved.

Clear Bulb SALE 1.58
11432-133 Reg. 1.88

Infra Red Bulb SALE 3.77
11433-133 Reg. 4.29



Wagon Gear

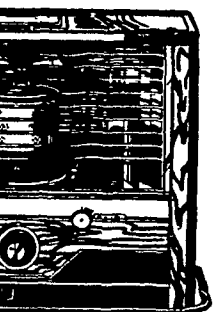
Rugged all-welded construction, heavy duty spindles, adjustable wheel base, standard tongue, and 5' reach (additional charge for longer reaches). All units comes less tires.

5 Ton SALE **359⁹⁵**
8030-046 Reg 449 95

6 Ton SALE **379⁹⁵**
8039-046 Reg 479 95

8 Ton SALE **429⁹⁵**
8045-046 Reg 539 95

10 Ton SALE **499⁹⁵**
8059-046 Reg 629 95

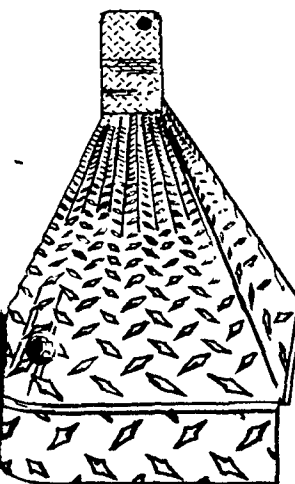


999
SAVE 28.00

T.U. e Heater

clean heat up to 360
s compact portable.
ation. Features Lift-
ank, Glass wool wick
shut-off.

ie Can 7.97



74⁹⁹

Reg. 89.99 / SAVE 15.00
73-82 Chevy & GMC 25157-314

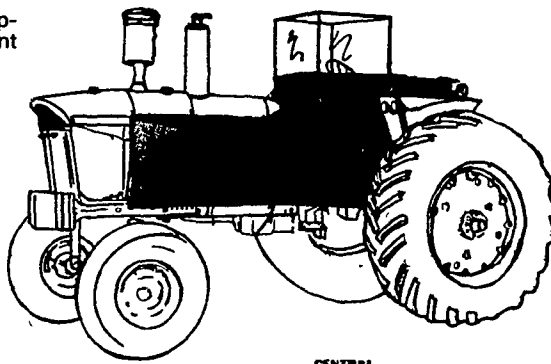
79⁹⁹ Reg 94 99 / SAVE 15 00
72-82 Dodge 25159-314

84⁹⁹ Reg 99 99 / SAVE 15 00
73-79 Ford 25158-314

84⁹⁹ Reg 99 99 / SAVE 15 00
1980-82 Ford 25186-314

Alum. Tread Brite Running Boards

Protects your pickup's body from rock chips and mud splattering. Chrome-like finish will not rust or peel. Mounting brackets and hardware included.



97⁹⁹

Reg. 102.99 / SAVE 5 00

Universal Heater Cab

Will fit most popular models of tractors. Extra side adjustments, cut tapered to fit contour of tractor hood.

Side entry 11155-235
Rear entry 11162-235
Small models 11169-235

FARM & FAMILY CENTER

Chambersburg

1351 Lincoln Way East
Ph. 717/264-8282
Hours: 9-6 Mon.- Thur.
9-9 Fri. / 9-5 Sat.

Quakertown

Quakertown Plaza Shopping Ctr.
Rts. 309 & 313
Ph. 215/538-2494
Hours: 9-6 Mon. - Wed.
9-9 Thur. & Fri. / 9-5 Sat. / 12-5 Sun.

Lancaster

1570 Manheim Pike
Ph. 717/569-0111
Hours: 8:30-5:30 Mon.- Fri.
8:30-5 Saturday

Millville, NJ

Wheaton Plaza Shopping Center
1215 North High Street
Ph. 609/327-0150
Hours: 8-8 Mon.- Fri.
8-5 Sat. / 12-5 Sun.