

# York Co. DHIA

(Continued from Page B36)

Meivin R. Lehr	3	5-8	305	21,183	4.6	969
1	3	3-10	275	18,680	3.7	692
Horace E. Heindel	3	7-11	305	22,427	3.0	678
146	3	7-3	305	18,616	3.4	632
182	3	6-10	305	13,389	4.0	541
186	3	6-5	305	21,841	3.5	758
193	3	6-0	305	18,600	3.1	576
85A	3	5-8	305	22,520	2.5	573
22A	3	5-8	305	21,730	4.3	928
27A	3	4-9	305	20,703	3.0	630
89A	3	4-4	305	21,568	3.1	671
104A	3	4-8	285	19,651	3.0	585
142A	3	4-4	305	16,800	3.4	570
159A	3	3-3	305	15,781	3.5	548
185A	3	2-4	305	15,756	3.6	561
88A	3	2-1	305	16,819	3.0	506
164A	3	2-1	305	18,411	3.8	695
80A	3	6-7	305	22,141	3.4	753
Carl Anderson	3	9-5	305	20,998	3.7	778
27	3	8-1	305	19,055	3.2	613
Elvin R. Deiter	3	6-8	305	22,208	3.7	821
Jolly	3	6-4	305	18,659	3.8	707
Kathy	3	5-8	305	17,223	3.6	614
Martha	3	6-2	305	15,572	4.1	632
Marjori	3	4-0	294	17,225	3.3	571
Nora	3	3-4	305	17,719	3.1	545
Fred Kimmel	3	7-1	305	21,576	3.3	719
Seven	3	4-1	300	16,257	3.5	563
John H. Doll Jr.	3	2-0	305	14,684	3.6	533
Lee	3	4-5	305	14,849	3.4	509
Model	3					

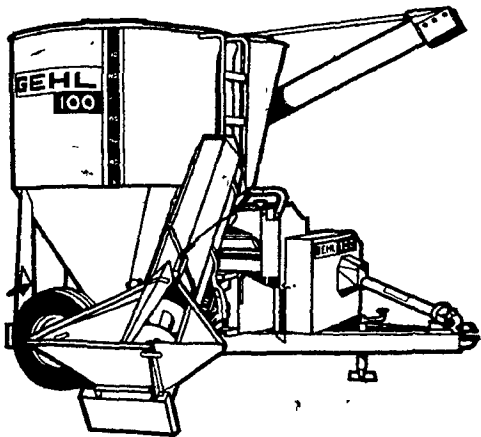
Lis	3	3-0	305	16,368	3.7	601
Charles Herr & Son	3	9-4	305	16,200	4.0	641
Tar	3	7-10	305	14,562	3.6	531
Lottie	3	4-1	299	16,249	3.8	613
Betty	3	3-8	305	14,690	3.6	530
April	3	7-1	305	14,963	3.5	519
Wayne L. Sweitzer	3	4-1	305	16,164	3.1	501
Cherry	3	3-0	305	16,426	3.9	639
34	3	9-8	305	19,858	3.3	655
Susie	3	10-7	305	18,156	4.1	744
Kenneth L. Rexroth	3	6-5	305	17,499	3.5	619
Ritta	3	5-1	305	19,710	3.2	638
1	3	5-1	305	21,027	4.3	906
13	3	0-0	305	17,099	3.7	633
75	3	4-3	295	18,710	3.1	583
98	3	3-0	305	17,011	4.0	680
58	3	2-4	305	16,736	3.7	624
2	3	5-5	294	13,687	3.8	525
108A	3	4-3	289	15,417	3.7	574
111A	3	4-9	305	20,171	4.1	831
Donald Wilson	3	7-1	305	20,497	3.6	740
95	3	5-1	304	18,253	3.8	696
43	3	5-3	296	19,118	4.3	822
Richard E. Stough	3	3-5	296	18,829	3.3	630
Carol	3	2-10	305	16,424	3.8	630
Rick L. Cook	3	7-1	305	21,576	3.3	719
Belle	3	4-1	300	16,257	3.5	563
Petal	3	2-0	305	14,684	3.6	533
Boots	3	4-5	305	14,849	3.4	509
Beets	3					
Perform	3					
J. Donnell Taylor	3					
Dusty	3					
Jody	3					
Peggy	3					
Bupplynn Farms Farm #2	3					
110Q	3					

# Lancaster Farming, Saturday, November 28, 1981-B37

Klaholt	3	4-4	305	16,744	4.4	742
30	3	3-2	305	20,506	3.5	712
Elvin G. Molison	3	7-1	273	18,668	3.7	693
87	3	6-0	246	16,673	3.9	643
10	3	5-1	290	16,520	3.5	571
57	3	4-6	305	20,066	3.2	647
18	3	3-6	240	18,550	3.6	660
12	3	3-4	258	14,838	4.8	711
79	3	2-11	305	18,732	3.6	679
120	3	2-1	305	21,342	3.4	733
85	3	2-5	300	15,799	4.0	637
123	3	8-1	305	20,200	3.3	675
Daryl L. Bair	3	3-2	295	15,689	3.7	584
13	3	5-4	305	15,014	4.2	631
Reva	3	3-7	296	16,714	3.3	559
John D. Adams	3	4-2	294	14,325	4.4	634
70	3	5-10	305	18,181	3.9	710
32	3	3-11	305	21,523	3.4	727
60	3	3-6	291	16,543	3.4	563
Smokey Hollow Farm	3	4-9	298	13,640	4.7	638
22	3	3-11	305	14,370	3.5	504
62	3	3-5	305	21,851	3.4	743
69	3	3-5	305	10,989	4.7	520
Honeycrest Fm	2	9-7	305	12,454	4.7	590
Flavor	2	7-5	305	13,565	4.1	552
Iwinkey	2	3-6	305	12,925	5.0	646
G Polly	2	2-11	303	12,792	4.5	582
Falthea	2	5-2	291	16,372	4.0	649
Mervin W. Hertzler	2	6-2	305	17,726	4.2	750
Dawn	2	4-4	305	22,951	3.6	831
Paula	2	3-1	305	17,221	4.2	730
Helen	2	5-1	305	18,822	4.1	768
Sadie	2	6-7	292	18,387	3.6	658
Leonard W. Greek	3	5-11	305	22,183	3.7	813
Brett	3	5-4	305	19,567	3.6	695
Blossom	3					
Bambi	3					
Jessica	3					
Gary W. Thoman	3					
22	3					
B. Robert Charles	3					
April	3					
Avis	3					
Bonnie	3					

(Turn to Page B38)

## New Hydraulic Mix-Alls®



Now Mix-Alls® are even better! New hydraulic design means less maintenance, easier operation. The 100-bushel Mix-All unloads in just 3½ minutes. Power bale feeding on the 135-bushel model handles 4½ bales a minute! And the hydraulic discharge conveyor with extensions reaches tanks up to 18' high. See these hydraulic Mix-Alls now!

**GEHL®**  
FARM EQUIPMENT

PEOPLE'S  
SALES & SERVICE  
Oakland Mills, PA  
717-463-2735

N.G. HERSHEY & SON  
Manheim, PA  
717-665-2271

A. L. HERR & BRO.  
Quarryville, PA  
717-786-3521

S. JOHNSON HURFF  
Pole Tavern  
Monroeville, NJ  
609-358-2565 or  
609-769-2565

STOFFER BROS. INC.  
Chambersburg, PA  
717-263-8424

LEBANON VALLEY  
IMPLEMENT CO., INC.  
Richland, PA  
717-866-7518

ARNETT'S GARAGE  
Rt. 9 Box 125  
Hagerstown, MD  
301-733-0515

UMBERGER'S MILL  
Rt. 4 Lebanon, PA  
(Fontana)  
717-867-5161

ZOOK'S FARM STORE  
Honey Brook, PA

MILLER EQUIPMENT CO.  
RD 1  
Bechtelsville, PA  
215-845-2911

BINKLEY &  
HURST BROS.  
133 Rothsville  
Station Road  
Lititz, PA  
717-626-4705

AGWAY, INC.  
Chapman Equip.  
Center  
Chapman, PA  
215-398-2553

CHAS. J. MCCOMSEY  
& SONS  
Hickory Hill, PA  
215-932-2615

WERTZ GARAGE  
Lineboro, MD  
301-374-2672

CLAIR J. MYERS  
Lake Road R1  
Thomasville, PA  
717-259-0453

PETERMAN FARM  
EQUIPMENT, INC.  
225 York Rd.  
Carlisle, PA  
717-249-5338

- BARN PAINTING
- ROOF PAINTING
- BIN PAINTING
- MASONRY & EPOXY COATING

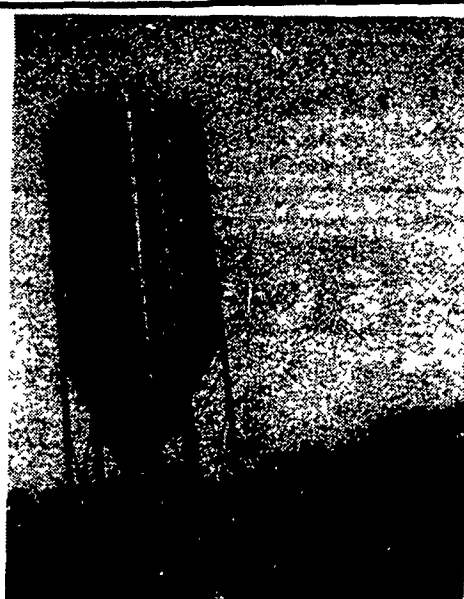


• Sandblast preparation  
Barn Painting in Lanc., York, Adams,  
Harford, Baltimore, Carroll & Frederick  
Counties

All work is guaranteed satisfactory.  
"Call the Country Boys  
with the Country Prices"

**GEBHART'S**  
SPRAY PAINTING  
AND SANDBLASTING

Agriculture - Industrial - Commercial  
Box 145A, R.D. 4  
Hanover, PA 17331  
Ph: 717-637-0222



## CUSTOM MADE FEED BINS

- Made of 14 Gauge Steel
- Longer Taper for Easier Flow
- All welded seams which make it water proof and rodent proof
- Can be installed inside or outside building
- Most installations can be made without auger

WILL DELIVER AND INSTALL ANYWHERE  
FOR FREE ESTIMATE CALL

**BETZ'S WELDING SERVICE**  
717-345-4854  
Home: 717-345-3212

We Sell, Service & Install  
Bucket Elevators, Grain Augers, M-C Grain  
Dryers, Distributors, Pipes & Accessories.

AUTHORIZED DISTRIBUTOR

**I-trac**

Featuring the exclusive I-Loc  
Split-Master-Link with sealed  
and lubricated chains.

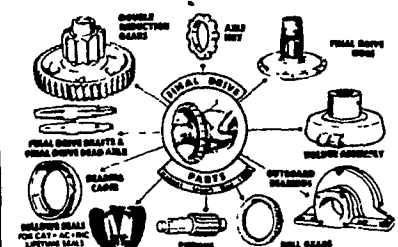


DISTRIBUTOR FOR

**PACAL  
BLADES**

Bucket Teeth & Adaptors  
for loaders & backhoes  
Cutting Edges & Grader Blades

## FINAL DRIVE PARTS



UNDERCARRIAGE REBUILDING  
Complete undercarriage rebuilding of crawler  
tractors, cranes & shovels  
TRACK PRESS SERVICE  
Pins & bushings turned for all size tractors from  
the smallest to the HD 41  
GROUSER BARS  
for loaders & dozers  
DISMANTLING FOR USED PARTS  
Crawler tractors including Caterpillar, Allis-  
Chalmers, International Terex & John Deere  
NEW UNDERCARRIAGE AND FINAL DRIVE PARTS  
CUTTING EDGES AND BUCKET TEETH

Call for Inventory & Price Lists

## State Line Machine Inc.

200 OWENSBY DRIVE, WILMINGTON, DEL. 19810.  
(302) 478-0285  
(CONCORD PK. & PENNA. DEL. STATELINE)



## FRANKLIN H. KREIDER

2400 Dairy Road  
Lancaster, Pa. 17601  
717-898-0129

## 30% LIQUID NITROGEN

★ Check Our Fall Fill-Up  
Price

★ Call Us For Your Fall  
Fertilizer And Limestone  
Needs

NOW IS A GOOD TIME FOR SOIL TESTING