

FARM EQUIPMENT

FARM EQUIPMENT

FARM EQUIPMENT

FARM EQUIPMENT

FARM EQUIPMENT

FARM EQUIPMENT

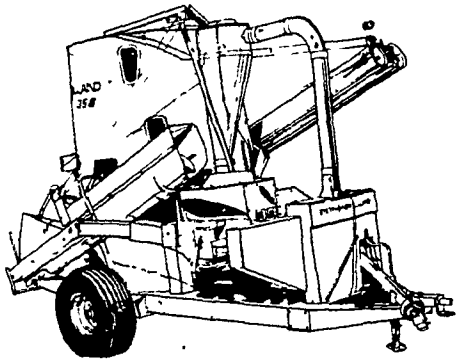
FARM EQUIPMENT

# MESSICK FARM EQUIPMENT PARTNERS in AGRICULTURE



## See The NEW INTERNATIONAL SERIES 88 TRACTOR

Waiver of Finance on all AG TRACTORS till MARCH 1, 1982



### NEW HOLLAND MODEL 358 OFFERS BIG CAPACITY.

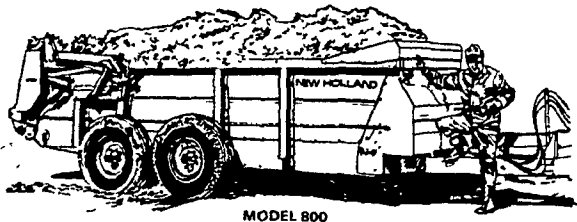
If you're in the market for a new grinder-mixer, check out the Model 358 from Sperry New Holland. Special tank design practically eliminates bridging, no matter what crop you're grinding. Check these features:

- 125-bushel tank
- 21-inch hammermill
- 540-or 1,000-rpm drive
- Mechanical or hydraulic drive

The "358" also available with power bale feeder plain feed chute.

## SPEERY NEW HOLLAND

### A GIANT SPREADER FROM THE SPREADER GIANTS



MODEL 800

Think of the time and trouble you'll save with this giant spreader working for you.

- The largest pulf-type spreader on the market.
- ASAE rated at 570 cu. ft. heaped volume.
- Hauls up to 14 tons per load.
- Extra-long hitch accommodates large tractors.
- Double apron is driven by a worm gearbox.
- Patented beater design creates an extra-uniform spread.
- Factory installed brakes are available.

**SPECIAL**

**NEW HOLLAND MODEL 800 HYDRAULIC ENDGATE, TOP BEATER, SPLASH GUARD, CYLINDER & HOSES, FINE PAN**

### CHECK OUR SPECIALS on SKID LOADERS and SPREADERS

**SIX SKID LOADER MODELS TO CHOOSE FROM: 22 HP to 62 HP, Gas or Diesel**

**USED N.H. L425 SKID LOADER**  
Excellent Condition,  
Low Hours.  
Only \$8995<sup>00</sup>



### GOOD CLEAN USED EQUIPMENT

- NH 519 Spreader, Hyd. Gate, Ex. Cond.
- NH 510 Spreader
- NI 214 Spreader w/Tailgate, Excellent, 2650.00
- NH 362 Tank Spreader, \$1595.00
- Badger 180 Spreader, \$1200.00
- Several Used Cub Cadets
- IH Model 234 Mtd. Corn Picker
- NH 770 R2 Corn Head
- NH Self Propelled 818 Diesel Harvester
- IH 650 2 Row Cornhead and Pickup Attachment
- Twin Rower to Pull 2 Rakes
- IH 37 Baler w/Thwr.
- NH 275 Baler w/Thwr.
- NH Model 850 Round Baler, \$5395.00
- NH 489 Haybine, Ex.
- NH Model 495 Haybine, 12 ft. ex. cond., \$4850.00
- NH 276 Baler w/58 Thwr.

**LOOKING FOR A CLEAN USED TRACTOR?**  
Check This Listing And Give Us A Call

- IH 454, 3 pt. hitch
- IH 574 D
- IH 656 with New Engine
- Farmall M
- Ford 3600 with Cab, 80 Hours, New Cond.
- Oliver 77

- 1200 Gal. Aluminum Sprayer Tank
- JD 494A, 4 Row Planter, \$975.00
- JD 10 Ft. Cult. Mulcher
- JD 12 Ft. Cult. Mulcher
- JD 1209 Mower Conditioner
- IH 7 ft. Sickle Bar Mower, Good Condition
- Oliver 3 Bottom Plow
- IH 531 Plow
- IH 9A Disc Harrow
- JD KBA Transport Disc Harrow
- Ford 8' 3 pt. Disk Harrow
- Grove Forage Box Wagon, Ex. Cond., \$1350.00
- NI Hay Rake, \$650.00
- For 3310 Harvester, Super Excellent Condition
- IH Model 510 16x7 Grain Drill, Ex. Condition
- Skid Loader Trailer, Tandem Axle With Brakes & Lights, \$1250.00

## MESSICK FARM EQUIPMENT, INC.

RHEEMS EXIT - RT. 283, ELIZABETHTOWN, PA  
PHONE: 717-367-1319, 653-8867

WARREN SPICKLER — HOME 653-4560 RAYMOND MILLER — HOME 653-8762

★ WE SHIP UPS

VISA



### USED EQUIPMENT

- Ford 3600 8 sp. diesel, w/730 loader
- Ford 6700, 16 speed
- (2) Ford 9000, Both Very Good
- Ford 7600, 1400 hrs., excellent
- Owatonna 1700 Skid Steer Loader New Short Block, very good
- Several good semi mount. plows
- Ford 9600 cab, air and duals
- Ford 881 diesel w/loader



### DUFFY FORD TRACTOR, INC.

Rt. 404-1/2 mile East of Rt. 50  
Wye Mills, MD  
301-820-2000

### FOR SALE

- MF 1085
- MF 1130 w/duals
- MF 760 combine, 6 row 30" corn head, 15' grain table
- Case 1370
- MF 180 diesel
- AC 190XT
- Farmall 966
- JD 4020
- MF 321 corn head

### L & M BURKHOLDER

Ephrata, PA.  
717-859-2960  
717-859-2712



## INTERNATIONAL AGRICULTURAL EQUIPMENT



### NEW TRACTORS IN STOCK

- 5288 w/C&A 3 Valves & Radials & 160 hp.
- 3688 w/Cab & Air 18.4x38 Tires, 110 Hp.
- (2) 1086 w/C&A 20.8x38 Tires, 130 Hp.
- 886 w/ROPS 18.4x38 Tires, 90 Hp.
- (2) 784 RC w/18.4x30 Tires 67 Hp.
- 584 RC w/16.9x30 Tires 52 Hp.

ALL TRACTORS WAIVER OF INTEREST TILL 3-1-82

### NEW EQUIPMENT SPECIALS

- IH 1250 Grinder/Mixer \$7380..... \$6100
- IH 595 Spreader, 451 Cu' \$8287..... \$6950
- IH 560 Spreader, 289 Cu' \$496T..... \$4175
- IH 550 Spreader 249 Cu' \$4845..... \$4100
- IH 540 Spreader 210 Cu' \$4235..... \$3650
- IH 2250 Loader w/Bucket \$562T..... \$2975

WAIVER OF INTEREST TIL 3-1-82

### NEW TILLAGE EQUIPMENT SPECIALS

- IH 510 4-18 Plow..... \$4250
- IH 510 5-18 Plow..... \$4650
- IH 720 5-18 Toggle Plow..... \$6200
- IH 720 6-18 Toggle or Land..... \$8250
- IH 475 12' Disc w/Cyl..... \$4550
- IH 475 17' 8" Folding Hyd. w/Cyl..... \$7250
- IH 490 20' 6" Hyd. Fold w/Cyl. \$9500
- IH 415 Packer Mulcher 12' 2" 19" Packers w/Cyl..... \$4950
- IH 5500 9' Mt. Chisel w/Gauge Wheels & HC..... \$1950
- IH 6010 10' Con.-Trill w/Cyl..... \$3850

WAIVER OF INTEREST TILL 3-1-82

### USED TRACTORS

- IH F 544 Diesel w/WF end and 3 pt. hitch..... \$6850
- IH 574 Gas 1295 hrs., nice..... \$6150
- IH F 300 Gas w/2 pt..... \$1750

2-IH F-M Any price range  
WAIVER OF INTEREST TIL 3-1-82

### USED CORN HARVESTING & COMBINE EQUIPMENT

- IH Sheller for 234 Picker..... \$950
- IH 76 Pull Combine..... \$650
- Fox 1 Row Corn Head for a 546..... \$150
- IH 2 Row Corn Head for IH 650..... \$250

### USED HAY EQUIPMENT

- IH 990 9' mower conditioner..... \$2350
- IH 37 Baler w/thrower..... \$1800
- IH 15 Rake..... \$375
- NH 479 9' Haybine..... \$1500
- IH 27 Baler w/thrower..... \$1500
- NH 56 Hay rake..... \$750
- IH 430 Baler w/thrower..... \$2650
- Van Dale Forage box and chassis..... \$1250
- Gehl 72 6' Flail Chopper..... Coming In
- NH 7 Forage Wagon..... \$1650

WAIVER OF INTEREST TILL 5-1-82

### USED TILLAGE

- IH 510 4 1/2 16" nice w/cylinder..... \$2150
- IH 720 6 1/2 18" like new w/cylinder, toggle trip..... \$6500
- MF 41 14"..... \$300

WAIVER OF INTEREST TILL 3-1-82

### USED SPREADER AND MISC.

- IH 530 Spreader..... \$1350
- IH 550 w/new apron..... \$2250
- IH Wagner Loader w/buckets..... \$450
- Century 300 Gal. Sprayer..... \$650

WAIVER OF INTEREST TILL 3-1-82

### USED PLANTERS AND DRILLS

- IH 400 6 row 30" real nice..... \$5950
- JD 494 4 row shoe..... \$400
- IH 400 4 row 38"..... \$2500
- JD 494 A w/new hoppers..... \$1350
- IH 56 2 row real nice..... \$1250

WAIVER OF INTEREST TILL 5-1-82



## MIFFLINBURG FARM SUPPLY, INC.

East Chestnut St., Mifflinburg, PA 17844  
Phone: (717) 966-3114

Evenings - 717-524-2924 - Frank Saner