

At Dover Young Farmers Crop Show

Boyer wins baled hay competition

BY JOYCE BUYP
Staff Correspondent

DOVER — About 150 farmers and guests turned out last Tuesday, Nov 10 for the 4th annual Dover Young Farmers crop show, held at the Dover High School.

Spread across the long tables of the school's cafeteria were well over a hundred samples of hay, ear corn, haylage, silage and grains. County Agent John Smith moved from category to category, judging entries as he went, and explaining his reasons with each grouping.

Tom Boyer, Biesecker Road, York, was declared grand champion grand winner of the largest division of entries, baled hay. His fourth cutting sample of Pioneer No. 524 won plaudits for its bright color, and abundance of leaf matter. Boyer's winning slice of hay was from a third-year field, which gave an estimated six and one-half ton per acre.

Emerging from the ear corn competition was top winner, Ray Deardorff, Davidsburg Road, Dover. Deardorff's long, straight, full ears of Dekalb XL61 beat out several dozen other entries. It was the first time for Deardorff to use the new Dekalb variety which

yielded approximately 100 bushel per acre.

Steve Green entered a sample of first cutting mixed alfalfa haylage from the McRai dairy operation, located at R1 East Berlin, where he's employed. Smith selected that sample as the best, with enough moisture for preservation and palatability, but not too wet.

Lester Sunday, R1 York, emerged the winner of the corn silage category, with silage chopped in early October from an O's Gold variety. Sunday's entry won on odor, evenness of cut, and abundance of grains included with the stem matter.

Some twenty commercial exhibitors were on hand with displays representing seed, fertilizer, chemical and equipment firms

A list of winners follows:

- Ear Corn**
1 Raymond Deardorff 2 Lemar G. VanHynning Sr 3 Lemar G. VanHynning Jr
- Alfalfa**
1st Cutting
1 Earl Livingston 2 Crist Shearer 3 Wayne Myers
2nd Cutting
1 Ray Hoover 2 Tom Boyer 3 Paul Jacobs
3rd Cutting
1 Roy Berkheimer 2 Bob Smyser 3 Eisenhart Bros

- 4th Cutting**
1 Tom Boyer 2 Richard Stough 3 Wayne Myers

- Timothy**
1 Roy Berkheimer 2 Richard Stough 3 George Livingston

- 1st Cutting Clover**
1 Crist Shearer 2 Joe Stump
2nd Cutting
1 Mervin Livingston

- Timothy Clover**
1 Sherman Grove 2 Sherman Grove 3 Joe Stump

- Mixed Alfalfa**
1st Cutting
1 Sherman Grove 2 Dan Gross 3 Joe Stump
2nd Cutting
1 Sherman Grove 2 Dan Gross 3 Joe Stump
3rd Cutting
1 Joe Stump 2 Bob Smyser 3 Brian Lightly
4th Cutting
1 Lynn Wolf

- Mixed Grass**
1st Cutting
1 Sherman Grove 2 Wayne Myers
2nd Cutting
1 Doll Zirkle 2 William Livingston 3 Joe Stump

- Corn Silage**
1 Lester Sunday 2 Steve Gross 3 Tom Boyer

- Haylage**
1 Ralph McGregor 2 Joe Stump 3 Eisenhart Bros

- Barley**
1 Mervin Livingston 2 Lemar VanHynning

- Wheat**
1 Bruce Kunkle 2 Earl Livingston 3 Mervin Livingston

- Oats**
1 Joe Stump 2 Sherman Gross 3 Earl Livingston

- Rye**
1 Paul Jacobs 2 James Crowl

- High Moisture Corn**
1 Steve Gross 2 Ralph McGregor 3 Ralph McGregor

- Shelled Corn**
1 Steve Gross 2 Mervin Livingston



A sniff...and a squeeze...are part of York county agent John Smith's techniques for determining the tops in samples of hay and haylage. Smith was the official for the Dover Young Farmers crops show.



Champions in four categories at the crops show compare notes on the blue-ribbon slice of hay. From left are Steve Green, haylage

winner; Ray Deardorff, ear corn; Tom Boyer, dried hay; and Lester Sunday, corn silage.

Use Penn State courses for Christmas giving

LANCASTER — As inflation continues to eat into a family's income, more and more families are turning to Penn State's non-credit and inexpensive correspondence courses for information.

There are 115 different courses available that range in price from \$4.50 to \$12.75. It is one way to obtain information when you are unable to enroll in a regular college program. The courses provide condensed, easy to read and understand information presented in lesson form.

Some courses that are available for \$8.25 (postage included) are:

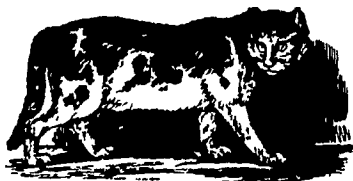
- Dressing and Curing Meat
 - Dairy Goats
 - Perennials and Biennials for Your Flower Garden
 - Home Garden Fruits
- Available for \$6.75 are:
- Home Vegetable Gardening
 - Household Pests and Their Control
 - Bulbs for Your Flower Garden

- Job Hunting Skills
Then, available for \$9.25 are:
- Light Horses
- Beekeeping
- Farm Management for Part-Time Farmers

With each order, you receive a bulletin that lists and describes all courses available.

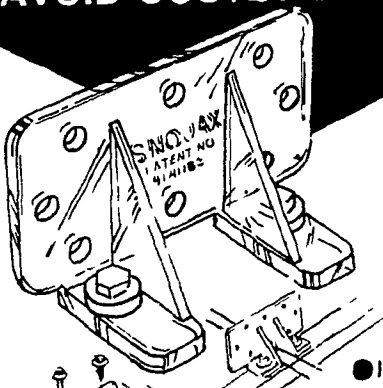
These courses make excellent Christmas gifts. Order any course mentioned by giving the course title and sending it to Box 5000, University Park, PA, 16802. Enclose a check for the correct amount made payable to Penn state.

If you mention that the course is for a gift, and send your order before December 13, Penn State will gift-wrap courses.



SNOJAX

PREVENT SNOWSLIDES!
AVOID COSTLY DAMAGE!



SEND \$2
FOR
SAMPLE

- INVISIBLE
- INEXPENSIVE
- NO ROOF STAINS
- EASILY INSTALLED

SNOJAX 1500 STATE STREET,
CAMP HILL, PA 17011
PHONE (717) 761-1863

PARS Soil Service

Distributor of Liquid Calcium Delivered in Bulk To Your Farm

Call: 717-872-7342
or 717-367-2667

HOG PRODUCERS!

Get Top Price for Your Hogs at New Holland



Sold in sorted lots the auction way. See them weighed and sold and pick up your check.

SALE EVERY MONDAY - 8:00 A.M.

NEW HOLLAND SALES STABLES, INC.

Phone 717-354-4341

Daily market Report - Phone 717-354-7288
Abe Diffenbach, Manager

M.H. EBY, INC.

Manufacturer of All Aluminum Truck Bodies
Livestock, Grain & Bulk Feed



Aluminum Livestock Body

Distributor of



Refrigerated Trailers

Sales & Service
Blue Ball, Pa.

717-354-4971