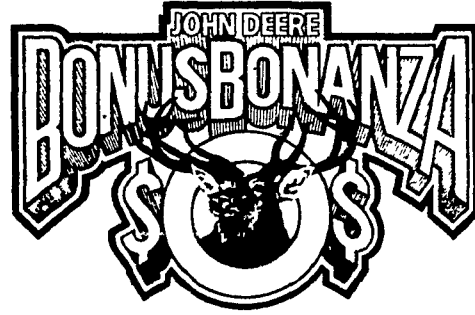


Now. Save on finance charges with a new John Deere tractor.

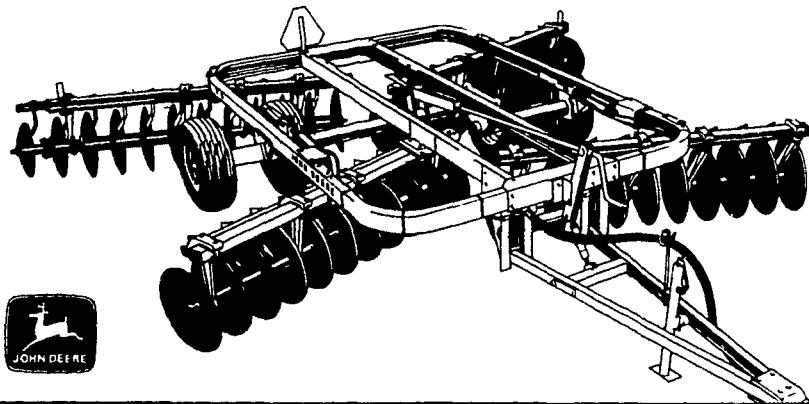
It won't cost you as much as you thought to buy a new John Deere tractor right now. On models 4040 through 8640, if you make a deal with us any time before January 30, 1982, you won't have to pay a penny in finance charges until June 1, 1982! You get the tractor. And you hold on to the money you would normally pay for finance charges.

If you would rather lease, you can save there, too. On those same tractor models, your scheduled lease payments will be discounted 10%!

And that's not all. Any new John Deere or used implements you buy with your tractor earn the same finance charge waiver. This is the best way to get behind the wheel of a new John Deere tractor.



For a limited time, earn \$50 to \$1,200 in bonus buying power by ordering a new John Deere disk, hay or forage tool



Order any new John Deere hay/forage tool or disk listed here and, during this special limited-time offer, you'll qualify for a bonanza of bonuses. You'll receive \$50 to \$1,200 in John Deere money you can exchange for goods or services at our store after you take delivery. From the time you order until we make delivery, you'll get price protection on any machine in this bonus program. And, no finance charges will accrue on a disk

purchase until March 1, 1982, or until the first of the month in which a hay/forage tool purchase will next be used in this area. Also remember, this equipment could earn you investment tax credit in 1981 plus tax write-off under new depreciation schedules. So act now and save. Check the list and order before this Bonus Bonanza offer ends.

HAY AND FORAGE EQUIPMENT

MACHINE	BONUS IN JOHN DEERE MONEY
Square Balers	\$ 250
Round Balers	\$ 250
PTO Forage Harvesters	\$ 375
SP Forage Harvesters	\$1200
Mower/Conditioners	\$ 350
SP Windrowers	\$ 450
Ag Mowers	\$ 50
Rakes	\$ 50

DISKS

DISK MODELS	BONUS IN JOHN DEERE MONEY
111, 115	\$ 75
210, 215, 310, 315, 340	
1630, 1635	\$ 175
220, 230, 235, 350, 355, 440, 455, 1640	\$ 250
331, 335	\$ 425
370, 375	\$ 600

This finance offer may be withdrawn at any time

A.B.C. GROFF, INC.
New Holland, PA
717-354-4191

ADAMSTOWN EQUIPMENT INC.
Mohnton R.D. 2, PA
(near Adamstown)
215-484-4391

CHAPMAN EQUIPMENT CENTER
Agway Inc.
Chapman, PA
215-398-2553

CLUGSTON IMPLEMENT, INC.
Chambersburg, PA
717-263-4103

J.S. COVERT & SONS
Neshanic Station, NJ
201-369-5241

OXFORD GREENLINE
Oxford, PA
215-932-2753 -
215-932-2754

EVERGREEN TRACTOR CO., INC.
Lebanon, PA
717-272-4641

FOSTER EQUIPMENT SALES
Elmer, NJ
609-769-1535

H.R. GUTSHALL & SONS, INC.
Carlisle, PA
717-249-2313

ROBERT G. HAMPTON, INC.
Shiloh, NJ
609-451-9520

The Long Green Line™



Nothing runs like a Deere®

TAM SERVICES INC.
RD 4 Box 77A
Gettysburg, PA
717-334-9148
717-334-3710

I.G. SALES
Silverdale, PA
215-257-5136

NEUHAUS'ES
York, PA
717-428-1953

KERMIT K. KISTLER INC.
Lynnport, PA
215-298-2011

LANDIS BROS. INC.
Lancaster, PA
717-291-1046

ROBERT E. LITTLE INC.
Zieglerville, PA
215-287-9643

PIKEVILLE EQUIPMENT INC.
Oyster Dale Road
Oley RD2, PA
215-987-6277

GEORGE V. SEIPLE & SON
Easton, PA
215-258-7146

SHOTZBERGER'S EQUIPMENT
Elm, PA
717-665-2141

TOBIAS EQUIPMENT CO., INC.
Halifax, PA
717-362-3132

WENGER IMPLEMENT, INC.
The Buck-Quarryville, PA
717-284-4141

WOODHULL EQUIPMENT, INC.

Medford, NJ
609-654-2011

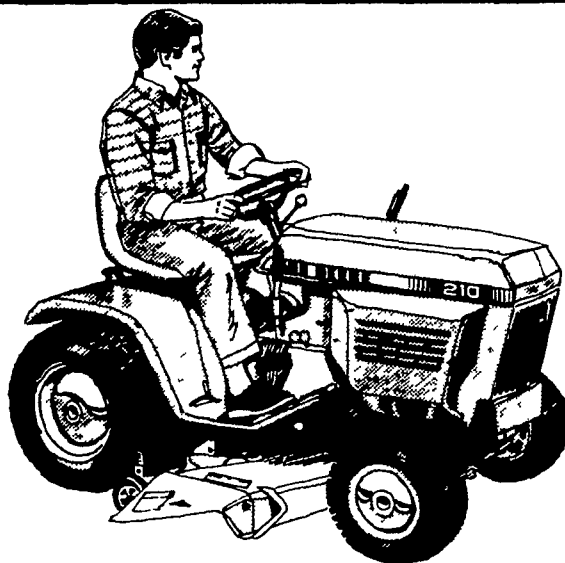
M.S. YEARSLEY & SONS
West Chester, PA
215-696-2990

SMITH'S IMPLEMENTS, INC.
Mercersburg, PA
717-328-2244

DON CHESKE BROTHERS, INC.
Hackettstown, NJ
201-852-4488

PARKHURST FARM SUPPLY
Hammonon, NJ
609-561-0960

John Deere "End-of-Season" SPECIAL OFFER*



Buy now and save! No monthly payment or finance charges due until next year*

Buy a new John Deere Lawn and Garden Tractor now on the John Deere Finance Plan. Make the normal down-payment (your trade-in may be sufficient) and the regular monthly installments with finance charges will not begin until April 1, 1982.

This "end-of-season" special offer applies to any new John Deere 200-, 300- or 400-Series Lawn and Garden Tractor and all attachments purchased for use with the tractor.

See us now for complete details. Offer expires February 28, 1982.

