

Home economist's dream comes true

BY BETH HEMMINGER
Staff Correspondent

CARLISLE — Cumberland County's new home economist is one in a million.

Exhilarating, exciting and fulfilling is how Cumberland County Home Economist, Margaret Malehorn describes her profession. She is one in a million people who can use those words to describe her work and who truly can say "I love my profession."

Margaret's dream came true. After she completed her first 4-H project at the age of eight, she dreamed of working in the world of "needles and thread". But, she said I had a number of years to live through before that dream could come true.

By her mother's account, Margaret was always sewing or experimenting with some type of needle craft. So, after graduating from Marysville High School her interest in "needles and thread" didn't subside and her dream was becoming a reality. She attended Mansfield State College majoring in Home Economics.

"I'll never forget my first lesson as a future Home Economist," said Margaret with a smile. "The class completed their first sewing project and I made a dress that I thought was the "cats meow," a black dress with a wide white collar and waist smocking. The class gathered to show-off their projects and I arrived only to find seven other black, white collared, smocked dresses." She laughed lightly, "I learned how to be innovative with a pattern after that — I didn't like being a seven carbon copy."

Upon graduation from Mansfield in 1970, Margaret began teaching high school home economics. She has taught at East Pennsboro, Cumberland Valley, Boiling Springs and York Alternative Program.

She, too, gained experience in the fabric business, working at Stretch & Sew, Union Deposit Mall as an instructor and assistant manager.

"I'm excited and feel challenged in my new career change," exclaimed Margaret. Making the

switch from teacher to an extension home economist requires a new approach — going public.

No longer will a captive audience, "literally speaking," be at her beckon call she said, or will the schedule be as rigid and structured. Margaret is prepared for her public appearance, planning interesting and innovative programs that homemakers, housewives and professional people will find informative and enjoyable and that they can use in their daily lives.

Some of the innovative programs include, advanced sewing techniques, a variety of cooking methods, needlecrafts, and programs that will benefit the family unit. Promoting the youth programs are also a top priority of this home economist. "I enjoy the interaction with youth, their wit, zest and knowledge for life."

This native Cumberland Countian is a committed home economist during both her work and off hours. She said her enjoyment for sewing, cooking and needlecrafts never wane. She does take a break from the house occasionally to pursue an interesting sport with her husband Dale -- sail boating.

Margaret exclaimed, "With a new position, new challenges, interesting people and places and exciting adventures all in ones' job, what more could a home economist ask for?"



Margaret Malehorn describes her job as "exhilarating, exciting and fulfilling." She is Cumberland County's new home economist.

Rarick's steer

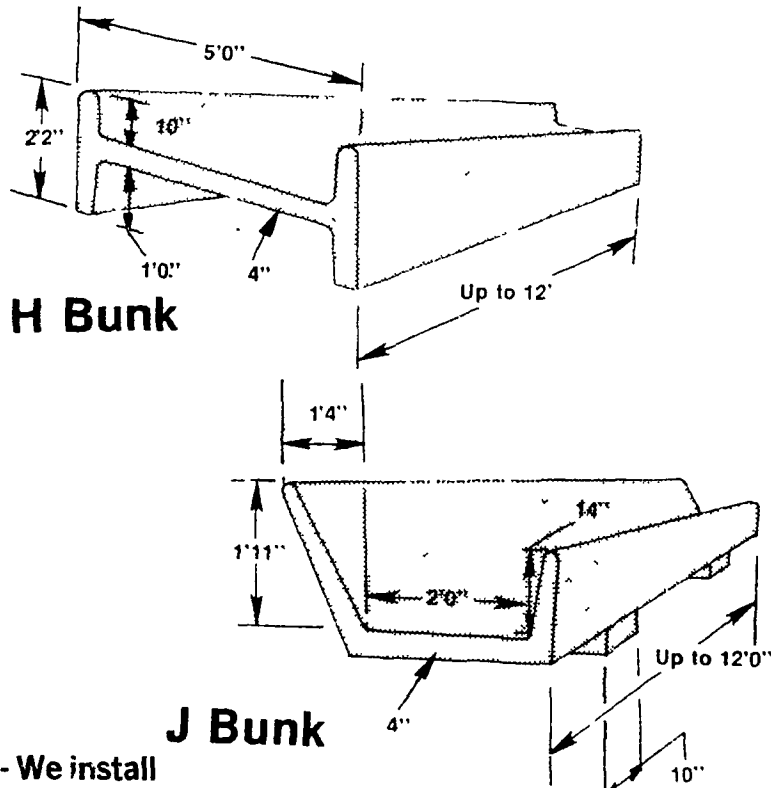
(Continued from Page B14)

Heavy-middleweight	Strause 4 Mike Strause
1 Kenianne Rarick Reading middleweight and grand champion 2 Sarah Hoffman Barto 3 Gred Stricker Bernville	Senior Showmanship
Light-heavyweight	1 Darlene Dietrich 2 Carol Strause 3 Rose Scherr 4 Mike Rarick
1 Kent Fisher, Oley heavyweight champion 2 Wilson Hoffman Barto	Intermediate Fitting
Medium-heavyweight	1 Kirk Fisher 2 Kenianne Rarick 3 Michelle Harley 4 Troy Werley
1 Karen Rabenold Kutztown 2 Darlene Dietrich Hamburg	Intermediate Showmanship
Heavy-heavyweight	1 Kenianne Rarick 2 Gred Zook 3 Michelle Harley 4 Jeff Adamaki
1 Kirk Fisher Oley res heavyweight champion 2 Gred Zook Oley	Junior Fitting
SHOWMANSHIP AND FITTING	1 Lori Rabenold 2 Matt Harley 3 Jane Zook 4 Travis Werley
Senior Fitting	Junior Showmanship
1 Darlene Dietrich 2 Rose Scherr 3 Carol	1 Jane Zook 2 Lori Rabenold 3 Travis Werley 4 Marianne Yanos



**TOBACCO FARMERS...
DON'T MISS IT!! PAGE A-17**

CONCRETE LIVESTOCK FEED BUNKS



- We install
- Fence Posts, Feeders, Roof (attachable)
- Quality Reinforced Design

Other concrete Farm Products available:

- ★ Bunker Silos
- ★ Manure Pits
- ★ Hog Slats
- ★ Erosion Control Stone
- ★ Fence Posts
- ★ Retaining Walls

**NITTERHOUSE CONCRETE
PRODUCTS, INC.**

(717) 264-6154

P.O. Box N - Chambersburg, PA 17201

Prestressed Concrete Assn. Quality Control Certified

REPOWER With VM DIESEL

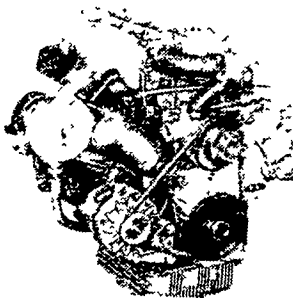
Harvesters, Haybines, Tractors, Cornpickers,
Balers, Hydraulic Systems, Corn Binders, Choppers



All New HR SERIES - Air Cooled - Oil Cooled - Water Cooled

USED DIESELS

- SR 1 Lister
- SR 2 Lister
- SR 3 Lister
- LR 1 Lister
- SL 3 Lister
- HRS 6 Lister
- Like New ST 3 Lister
- 1 Cylinder Deutz
- SV 195 - 14 H.P
- 371 Detroit
- SU 1054 SOLD



WATER COOLED

QUEEN ROAD REFRIGERATION

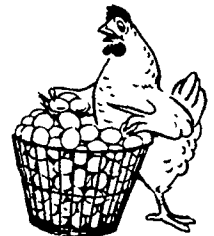
Box 67, Intercourse, PA 17534
Phone: 717-768-9006
Answering Service - 717-354-4374

**24 HOUR
SERVICE**

YORK CALCIUM CHIPS

SELECTED for their:

- ★ High Calcium Level - 39% Ca
- ★ Low Magnesium Level-.7% Mg



- Mixes Uniformly With The Feed
- Uniformly Consumed By Birds
- Soft Gray "Chips"
- The Economical Replacement For Oyster Shells
- Easily Utilized Source of Supplemental Calcium to Produce Harder Egg Shell

**CONTACT YOUR LOCAL
FEED DEALER & START
SAVING \$\$\$!**



YORK STONE & SUPPLY CO.
Roosevelt Ave. Ext., York, PA 17405
717-843-0981