

Manheim names farm show queen

MANHEIM — The Manheim Farm Show got underway last Monday evening with the selection of 16-year-old Trena Esbenshade as queen of the show.

Miss Esbenshade is the daughter of Mr. and Mrs. Glenn Esbenshade of Esbenshade Road, Manheim.

Also nominated for queen were finalists Rosemary Nissley, 17, daughter of Mr. and Mrs. John

Nissley, Mount Joy R3, and Tracy Bender, 16, daughter of Mr. and Mrs. Warren Bender, Manheim R2.

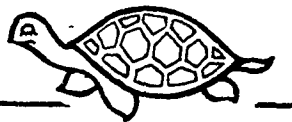
All three girls are seniors at Manheim Central High School. They were nominated by their classmates.

Miss Esbenshade works on her father's 20,000-hen laying farm and is a member of the high school tennis team and chorus.



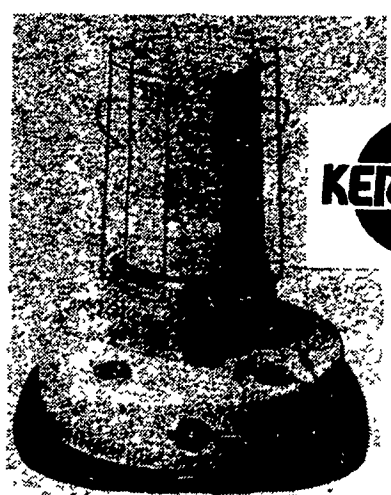
Trena Esbenshade, 16, (right) was named queen of the Manheim Farm Show last Monday night. Pictured with her are finalists Tracy Bender (left) and Rosemary Nissley.

**DON'T
BE
SLOW**



**Call Now To Place Your
CLASSIFIED AD**

Ph: 717-394-3047 or 717-626-1164



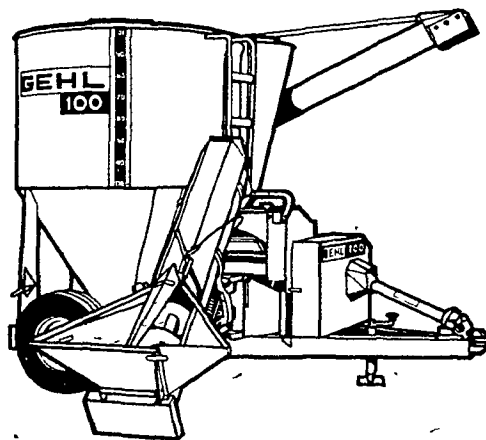
KEROSUN

Omni 15, Rated at 8,700 BTUs (2200 kcals) per hour. Smallest, lowest priced Kero-Sun is extra tough for camping, hunting or around the house. Offers cooking surface. Operates up to 36 hours on 1.7 gals. (6.4 liters) kerosene. 18-1.8" (460 cm) high; 16 1/4" (41.2 cm) base. 14.1 lbs (6.4 kg) U.L. Listed

PEQUEA WOODWORKING.

2704 BACHMANTOWN ROAD, RONKS, PA 17572
PH: 717-687-6763
Hours Mon. thru Sat. 8 to 4; Fri. 8 to 8

New Hydraulic Mix-Alls®



Now Mix-Alls® are even better! New hydraulic design means less maintenance, easier operation. The 100-bushel Mix-All unloads in just 3 1/2 minutes. Power bale feeding on the 135-bushel model handles 4 1/2 bales a minute! And the hydraulic discharge conveyor with extensions reaches tanks up to 18' high. See these hydraulic Mix-Alls now!

GEHL
FARM EQUIPMENT

**PEOPLE'S
SALES & SERVICE**
Oakland Mills, PA
717-463-2735

N.G. HERSHEY & SON
Manheim, PA
717-665-2271

A. L. HERR & BRO.
Quarryville, PA
717-786-3521

S. JOHNSON HURFF
Pole Tavern
Monroeville, NJ
609-358-2565 or
609-769-2565

STOUFFER BROS. INC.
Chambersburg, PA
717-263-8424

**LEBANON VALLEY
IMPLEMENT CO., INC.**
Richland, PA
717-866-7518

ARNETT'S GARAGE
Rt. 9 Box 125
Hagerstown, MD
301-733-0515

UMBERGER'S MILL
Rt. 4 Lebanon, PA
(Fontana)
717-867-5161

ZOOK'S FARM STORE
Honey Brook, PA

MILLER EQUIPMENT CO.
RD 1
Bechtelsville, PA
215-845-2911

**BINKLEY &
HURST BROS.**
133 Rothsville
Station Road
Lititz, PA
717-626-4705

AGWAY, INC.
Chapman Equip.
Center
Chapman, PA
215-398-2553

**CHAS. J. MCCOMSEY
& SONS**
Hickory Hill, PA
215-932-2615

WERTZ GARAGE
Lineboro, MD
301-374-2672

CLAIR J. MYERS
Lake Road R1
Thomasville, PA
717-259-0453

**PETERMAN FARM
EQUIPMENT, INC.**
225 York Rd.
Carlisle, PA
717-249-5338



**CALL US FOR
FREE
ESTIMATES
ON
TOP QUALITY BARN
SPRAY & BRUSH
PAINTING**

Try Our New Concept In Penetration And Adhesion.

\$13.00 per gallon applied, no additional cost. Average Barn \$650.00

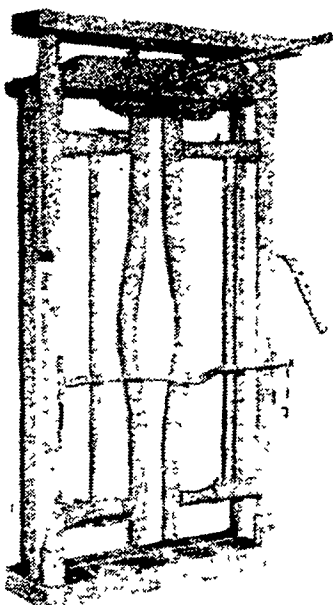
The farmers in Lancaster Co. are lucky because of the amount of competition in barn painting. Check with us for the best deal!

PHARES S. HURST

Rd 1, Box 420, Narvon, PA 17555
215-445-6186

BRUNING
Years of experience plus self employment gives you quality work for less expense.

CATTLE HEAD GATE



FOR THE
CATTLEMAN
WHO DOES
NOT HAVE
TIME TO
FOOL WITH
EQUIPMENT
HE CAN'T
DEPEND ON.

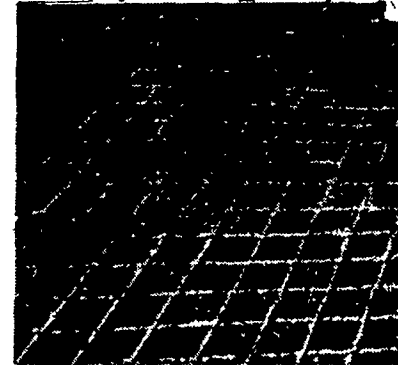
AARON S. GROFF & SON

FARM & DAIRY STORE

RD 3, Ephrata, PA 17522 (Hinkletown)
Phone: (717) 354-4631
Store Hours: Mon., Thurs. & Fri. 7 A.M. to 9 P.M.
Tues. & Wed. 7 A.M. to 5 P.M.
Sat. 7 A.M. to 4 P.M.

Slick Problem Areas?

**DAIRYMEN: CONCRETE-GROOVING
Cuts Grooves in Concrete Floors**



Grooves 1/2" wide x 1/4" deep - 4" apart

- PREVENT SPLITS
- INSTALL IN HOLDING AREAS
- IMPROVE HEAT DETECTION
- INSTALL IN FEEDING AREAS
- PREVENT BROKEN LEGS
- ELIMINATE COWS SKIDDING
- PREVENT CRACKED CONCRETE
- INSTALL IN ALLEYS

Why not join the increasing number of dairymen throughout the Eastern states who now receive profitable benefits from this service.

CONTACT US TODAY!

**CONCRETE GROOVING, INC.
MERLE BECKER**

399 S. Reading Rd., Ephrata, PA 17522
PHONE (717) 733-7589