

# Chester Co. DHIA

(Continued from Page D13)

Breck A-De Farm					
29	3	297	20,835	4.0	829
11	3	305	15,643	4.9	763
74	3	305	16,018	4.7	746
David L. Weaver					
3	3	305	24,484	3.4	825
49	3	305	19,249	3.8	736
SR & MJ Matthews					
9	3	289	18,636	4.4	825
Kulp Bros.					
Krista	3	278	16,829	4.9	825
Louis C. Neyman					
31	3	305	21,069	3.9	819
Ronald F. Elliott					
127	3	303	19,572	4.2	817
Bett 187	3	292	15,440	5.1	793
153	3	305	17,083	4.2	718
194	3	305	15,460	4.6	718
George P. Lamborn					
Chastit	3	305	19,106	4.2	808
Penn Valley Farm					
42	3	305	17,875	4.5	806
55	3	305	21,176	3.7	783
Melvin S. Stoltzfus					
Rose	3	305	19,707	4.0	797
Treasur	3	305	24,192	3.3	794
Hargret Dairy Inc.					
Ruth	3	305	21,953	3.6	796
43	3	305	19,577	3.9	756
54	3	304	16,016	4.7	746
11	3	256	20,184	3.6	723
Enos R. Perfer					
9	3	300	18,213	4.4	795
28	3	305	17,833	4.4	793
Applebrook Guernseys					
Gcounts	2	305	14,287	5.6	794
Harold J. Ranck					
Lorie	3	305	19,866	4.0	793
E. Richard Hoopes					
125	3	286	18,348	4.3	788
Getaway Farm					
279	3	305	19,975	3.9	785
Edgar Miller					
Matilda	3	305	18,163	4.3	785
Donald Hostetter Jr					
Sedate	3	305	21,237	3.7	779
Malinda	3	305	18,010	3.9	706

Herman Stoltzfus					
Rocket	3	305	23,825	3.3	775
Katrina	3	305	19,512	3.8	737
Wilmer L. Hostetter					
Apollo	3	305	23,398	3.3	775
Mast Stoltzfus					
Betsy	3	305	18,910	4.1	773
Elmer A. Mast					
Louise	3	305	20,077	3.8	772
Henry S. King					
Kay	3	305	18,794	4.1	772
Fobes	3	305	22,360	3.4	768
Charles J. Moore					
48	3	261	18,948	4.1	771
H9	3	305	17,416	4.0	700
A. Dudley & Son					
27	3	305	15,046	5.1	765
100	3	305	21,385	3.4	728
Donald H. Windle					
208	3	305	18,286	4.2	761
David Bartram					
417	3	305	20,427	3.7	760
327	3	305	16,199	4.7	757
412	3	305	18,064	4.0	722
Jonas Z. King					
Hilda	3	305	23,445	3.2	759
Richard Hostetter					
6	3	305	22,359	3.4	758
Newton Evans Jr.					
133	3	305	23,532	3.2	756
172	3	305	16,702	4.3	715
Timothy Kauffman #1					
Victory	3	305	22,135	3.4	756
Dunwood Farm					
Betts	3	305	21,081	3.6	754
Charity	3	305	18,598	3.8	704
Joseph I. Kulp					
23	3	305	17,942	4.2	754
47	3	305	21,586	3.4	731
Moran Bros.					
110	3	305	16,573	4.5	752
J. Elmer Lapp					
Norma	3	305	20,009	3.7	749
Donald M. Horning					
Mona	3	305	19,775	3.8	749
Richard H. Albright					
53	3	305	20,548	3.6	747
Aaron Burkholder					
11	3	305	17,587	4.2	747
26	3	305	18,523	3.8	706
Kimberton Farm School Inc					
Edith	2	305	14,344	5.2	747
Rose View Dairies					
OR22	3	305	19,656	3.8	740

E.E. Hershey					
98	3	305	15,062	4.9	740
E. Kent High					
187	3	305	16,003	4.6	731
Walmoore I					
196	3	305	18,618	3.9	730
958	3	305	18,604	3.9	728
Swan View					
Mert	3	305	17,221	4.2	729
Lloyd Mast & Sons					
141	3	305	16,471	4.4	722
George Steele & Sons					
185	3	305	19,030	3.8	721
Floyd Miller & Sons					
56	3	305	16,708	4.3	719
Arthur D. Hershey					
Ann II	3	305	21,062	3.4	716
Paul Smoker					
50	3	304	15,783	4.5	713
Kenneth Umble					
Ruby	3	305	18,161	3.9	710
Jan	3	305	17,338	4.1	706
Marsh Acres Farm					
299	3	305	19,488	3.6	708
Richard A. Hood					
16	3	305	18,990	3.7	708
Landis S. Reid					
175	3	305	20,287	3.5	704
162	3	305	20,769	3.4	702
Joel C. Brown					
645	3	305	20,185	3.5	703
Howard Swavely III					
26	3	305	17,186	4.1	703
Harold J. Ranck					
Amy	3	305	18,675	3.8	701
Charles H. Gable					
226	1	305	16,421	4.3	701

**THINKING OF BUILDING?**

**READ LANCASTER FARMING'S ADVERTISING TO FIND ALL YOUR NEEDS!**

## THE CITY MORTGAGE COMPANY

The Greenville Center Building C-Suite 201  
PO Box 4107, Greenville, Delaware 19807  
(302) 655-3535

We handle home mortgages

Freddie Mac Loan Rates change every Thursday

Will finance anywhere in the United States

We specialize in Commercial Loans

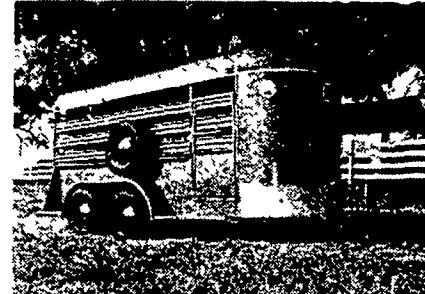
- Wrap-around Loans (as low as 10% interest)
- Industrial Apartments
- Equipment Leasing
- Shopping Centers
- Office Buildings
- Construction Loans

## FISHER AND STOLTZFUS TRAILER SALES

Call 717-768-3832 between 7 a.m. & 9 a.m.  
or call 717-354-0723 after 6 p.m. East of New Holland, Pa.



Grain Trailer Comes 8'x16' & Has 40" Grain Sides



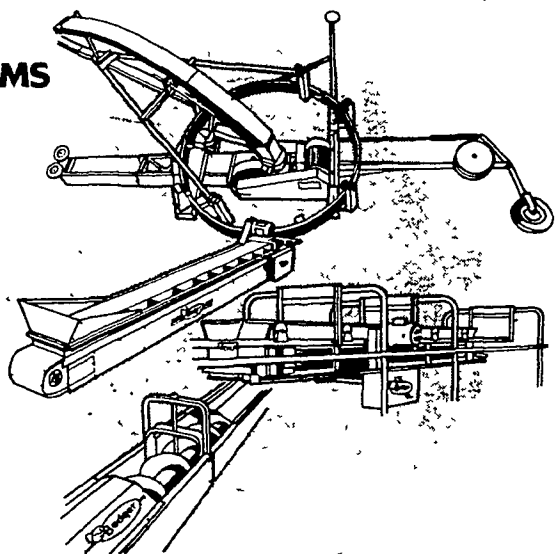
Check our prices for bumper trailers Small trailers for tractors

## Badger

from field to silo... Badger has the system

### FEEDING SYSTEMS

Here's the top of the line designed to be ahead of its time...and to keep your workday ahead of schedule. Badger systems are built better to do the job better. Look at any part of the Badger system and you're looking at a better way, at less cost per ton.



**PIKEVILLE EQUIPMENT INC.**  
RD 2  
Oley, PA 19547  
Ph. (215) 987-6277

**GRUMELLI'S FARM SERVICE**  
Mechanics Grove  
Quarryville, PA 17566  
Ph. (717) 786-7318

**ROY O. CHRISTMAN**  
RD 1  
Hamburg, PA 19526  
Ph. (215) 562-7218

**CECIL DAIRY SERVICE**  
RD 1 Rt. 274  
1/2 Mi. South Rising Sun, MD 21911  
Ph. (301) 658-6923

**LLOYD E. KREIDER**  
RD 1  
Cochranville, PA 19330  
Ph. (215) 932-4700

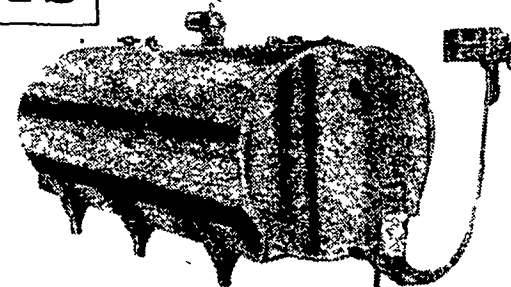
**SHOW-EASE STALL CO.**  
523 Willow Rd.  
Lancaster, PA 17601  
Ph. (717) 299-2536

## MUELLER Bulk Milk Coolers

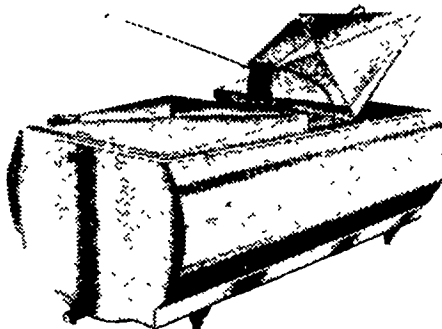
THE ALL STAINLESS STEEL MODEL-C FRE-HEATER FOR ALL BUNK TANKS



The Mueller Model "OH" with HiPerForm cooling, Mueller-Matic Automatic Washing System, and built-in freezer protection control is the most advanced bulk milk cooler in the world. The nation's most progressive dairymen are using it. Shouldn't you be?



ASK US ABOUT LEASE or LEASE PURCHASE ON MILK TANKS



THE MUELLER MODELS OH, MHL, AND MW WITH HIPERFORM MAKE ALL OTHER BULK MILK COOLERS OBSOLETE SEE THE MUELLER NEW MODELS

★ 500 MW ★ 600 MW

The "MW" is one of the Lowest pouring Height Bulk tanks. Check with us all the new features on the "MW" bulk tank. If you are in the market for a bulk milk cooler and you don't check all the advantages of the Mueller "OH", "MHL", and "MW" you may be buying an obsolete cooler.

## QUEEN ROAD REFRIGERATION

Box 67, Intercourse, PA 17534  
Phone: 717-768-9006  
or Answering Service - 717-354-4374  
★ WE ARE ONE OF THE ORIGINAL MUELLER DEALERS  
★ 24 HOUR SERVICE

### USED TANKS

- (2) 400 Gal. Girton
- 400 Gal. D-1 Girton
- 400 Gal. D-4 Girton, like new
- 500 Gal. D-2 Girton
- 600 Gal. Girton
- 500 Gal. Milkeeper
- 400 Gal. Esco
- 425 Gal. Esco
- 500 Gal. Esco
- 600 Gal. Esco
- 400 Gal. Dari-Kool
- 400 Gal. "MHL" Mueller, new
- 400 Gal. Mojonner