

4-H winners

(Continued from Page D7)
named state home environment contest winner.

Support of the home environment project is provided by The Sand H Foundation, Inc.

The daughter of Mr. and Mrs. Clifford Lane, she is a junior at the Port Allegany Junior-Senior High School. She has been a 4-H member for nine years.

A member of the Turtlepoint Pioneers 4-H Club, she served as vice president and chairman of numerous committees for county events. She also assisted with club activities and events as a teen leader.

The state home environment contest winner completed projects in teen leadership, citizenship, careers, geology, home en-



Wanita Lane

vironment, food science, and home management.

Locally, she took part in the 4-H kick-off campaign, day camp, dress revue, achievement program, and officers training.

Wanita also participated in the Regional 4-H Teen Leaders Retreat, Regional 4-H Demonstration Contest, State 4-H Capital Days, Pennsylvania 4-H Leadership Congress, and State 4-H Achievement Days. She won county awards in the junior blue form and news reported categories.

Commenting on the values of the educational youth program, she said: "Club work has helped me to develop as a responsible person. It also assisted me in acquiring numerous skills I will use the remainder of my life."

Northumberland County

UNIVERSITY PARK — Two young adults were named state contest winners from Northumberland County.

Named were William Geise, Jr., 19, of R1, Northumberland, state winner in photography, and Stacey Esworthy, 18, of R6, Danville, state nominee for a career scholarship.

William will receive an expense-paid trip to National 4-H Congress in Chicago, November 29-December 3. Stacey will be eligible to attend the national conference. All compete for awards at the national level.

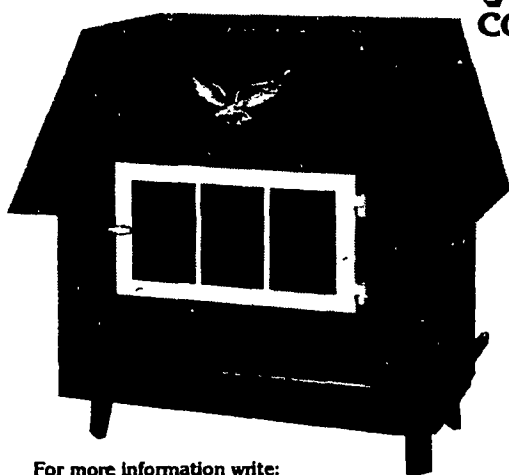
Support of the photography project is provided by Eastman Kodak Company and career scholarship, the Gertrude L. Warren Fund.



William Geise

William Geise
William is a freshman at Penn State majoring in animal
(Turn to Page D9)

The Warmth of Tradition... With a Modern Flair.



VICTORY 700
COAL STOVE

- 100% American Cast Iron
- Holds fire up to 30 hrs. per loading
- Thermostatically controlled
- Free standing, or fireplace installation

**SPECIAL
NOW THRU.
OCT. 31
'100 REBATE**

For more information write:

PEQUEA WOODWORKING

2704 BACHMANTOWN ROAD, RD 1, RONKS, PA 17572

Phone (717) 687-6763

Located 1/4 mile south of Rt. 30, Just off of Ronks Road
Open Daily Mon. thru Sat. 8 AM to 4 PM; Fri. 8 AM to 8 PM

ELMER M. SHREINER T/A

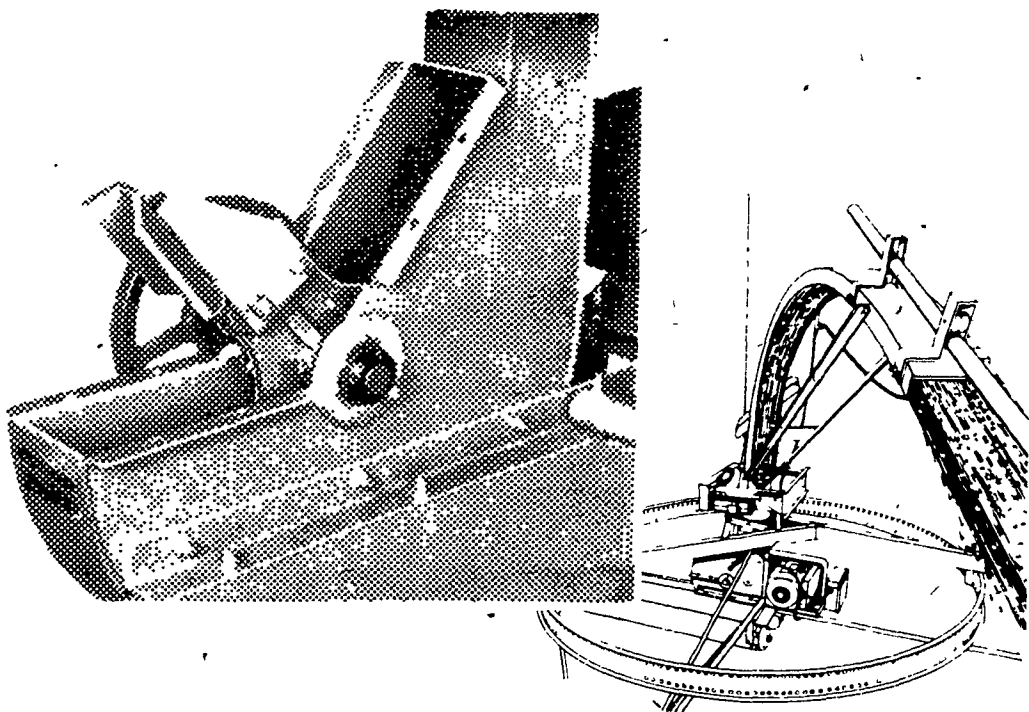


Get Your **ANIMAL HEALTH** Products From
Our Route Salesman or Stop At The Mill
and Pick Them Up.

RD 2 New Providence, PA
1 Mile North of Quarryville Along Rt. 222
Phone 717-786-2500

WE HANDLE:  **pennfield feeds**

Volumatic® III silage distributor-unloader by JAMESWAY®



Fast unloading

Another reason why all ring-drive silo unloaders are not alike: Big 26-inch diameter impeller pours out silage. Easily converts from rigid to swinging paddles in minutes to match silage conditions. Features abrasion resistant steel rim; removable top for easy access ... easy to service.

See us for systems and service that help make the good life better.

AGRI EQUIPMENT INC.

2754 Creek Hill Rd.
Leola, PA 17540
717-656-4151

DEPENDABLE MOTORS

Honey Brook, PA
215-273-3131
215-273-3737

ROVENDALE SUPPLY

RD 2, Watsonstown, PA 17777
717-538-5521

I. G. SALES

Rt. 113, Box 200
Silverdale, PA
215-257-5135

HENRY S. LAPP

RD1, Cains, Gap, PA 17527
717-442-8134

SOLLENBERGER SILOS

RFD 2, Chambersburg, PA
717-264-9588

HARRY L. TROOP

Rt. 1 Cochranville, PA 19330
215-593-6731

J. A. SWOPE

Box 121, RD1
Myerstown, PA
717-933-4758

G. HIRAM BUCHMAN, INC.

Rte. 519 - N. off Rte. 46
P.O. Box 185
Belvidere, NJ 07823
201-475-2185

ERB & HENRY EQUIP., INC.

22-26 Henry Avenue
New Berlinville, PA
215-367-2169

DETWILER SILO REPAIR

Rt. 2, Newville, PA
717-776-7533

GEORGE A. COLEMAN

Rt. #2, Box 216
Elmer, NJ
609-358-8528

BENNETT MACHINE CO.

1601 S. Dupont Blvd.
Milford, DE
302-422-4837