

Md. beekeepers cooperate in nat'l survey

Lancaster Farming, Saturday, October 3, 1981—D17

ANNAPOLIS, Md. — Maryland beekeepers are cooperating in a national "Honey Bee Mite Survey."

According to I. Barton Smith, Jr., supervisor of the Maryland Department of Agriculture's Apiary Inspection program, 100 of the state's 2,300 apiaries will be surveyed with at least four from each county.

Nationally, according to Smith, some 8,250 samples will be collected in the program being coordinated by the Animal and Plant Health Inspection Service of USDA which is carrying out the effort at the request of state apiary inspectors and numerous beekeeper associations.

Reason for the survey is concern over the "Acarine mite" which has

been detected in Northern Mexico within 150 miles of the Texas border. European customers who buy honey and package bees from the U.S. are concerned over possibilities of the pest becoming established in the U.S.

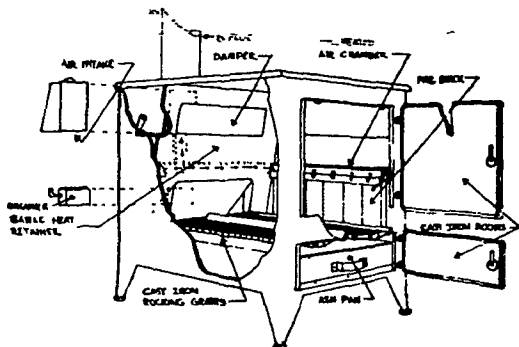
The European and Canadian market for honeybees from the entire U.S. were hurt in 1979 when the "Varroa mite", a major pest of

bees in Europe, was purportedly detected in Maryland. So concerned were Maryland beekeepers over this threat that all colonies of bees within a two mile radius of College Park were destroyed, a safeguard against the suspected mite infestation.

All samples collected in the

national mite survey will be analyzed at the USDA's bee laboratory in Beltsville. A sample consists of 100 bees from a selected apiary. They are placed in an alcohol solution to preserve them until they are examined. Results of the national survey are expected to be known sometime in 1982.

AUTOMATIC WOOD/COAL HEATING SYSTEMS FOR FREE STANDING OR TIE IN



WHITE OAK COACH SHOP

Amos L. Stoltzfus
Rd 1 Box 215
Strasburg, PA 17579
4 Mi. South of Strasburg on White Oak Rd.

- BARN PAINTING
- ROOF PAINTING
- BIN PAINTING
- MASONRY & EPOXY COATING



- Sandblast preparation
- Barn Painting in Lanc., York, Adams, Harford, Baltimore, Carroll & Frederick Counties

All work is guaranteed satisfactory.

"Call the Country Boys with the Country Prices"



Agriculture - Industrial - Commercial
Box 145A, R.D. 4
Hanover, PA 17331
Ph: 717-637-0222

PLAN NOW TO ATTEND EASTERN SHEEP PRODUCTION WORKSHOP

sponsored by the MARYLAND SHEEP BREEDERS' ASSOCIATION
Saturday, October 17, 1981

Carrall County Agricultural Center in Westminster, Maryland

featuring

9:30 - Noon - Hands-on session with sheep

1 - 5 pm - Production Management Topics presented by Dr. George Ahlschwede - Dr. Dough Hogue - Dr. Tom Wickersham
Fred Stapf - lamb cutting demonstration by Bill Blake

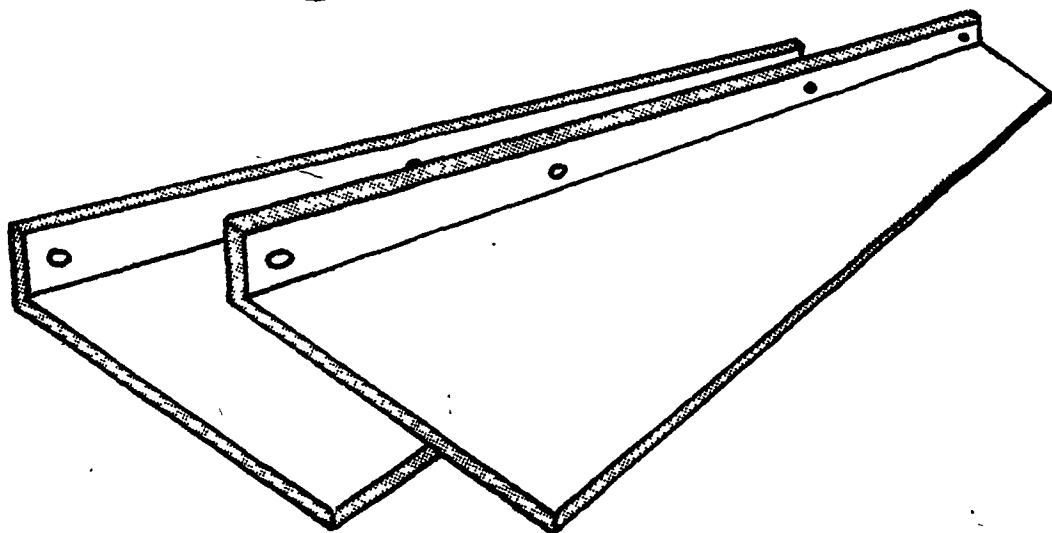
Registration Fee - \$7/person or \$11/family

CONTACT: George Pasley, Box 95, New Windsor, MD 21776 or call (301) 635-2821 or (301) 781-7291

Need To Replace Dropping Boards?

PVC
or

Heavy Duty Galvanized



For 10' or 8' Cage Sections
Will Fit Most Cage Systems

Save Money Now

FAVORITE EQUIPMENT and SUPPLY CO.

NEW HOLLAND, PA 17557

PHONE: 717-354-4466

EMERGENCY SERVICE AFTER 5 PM & WEEKENDS — CALL 717-354-4460



DIXON... Turns on a dime Saves half the time

Here's where you save time on a DIXON Zero Turning Radius Mower:

- Every corner you turn.
- Every tree you mow around.
- Every turnaround at the end of the yard.
- Irregular edges with ins and outs.

Two hand levers control all the action, speed and direction, with no footwork at all. Come in to mow-test the easy rider now, and save mower time for fun.



Prove it to yourself, ask for a free demo from one of these participating dealers:

ADAMS CO.
GOLDEN RIDGE
York Springs, PA 17372
(717) 528-4343

BERKS CO.
JOHN'S MOWER SERVICE
Bernville, PA. 19506
(215) 488-1944

J.R. SALES & SERVICE
Fleetwood, PA. 19522
(215) 944-7571

CENTRE CO.
PENNWOOD CORPORATION
Pleasant Gap, PA 16823
(814) 359-2761

CHESTER CO.
STOLTZFUS FARM SERVICE
Cochranville, PA. 19330
(215) 593-2407

DAUPHIN CO.
WILLIAM N. MASIMER
Hershey, PA. 17033
(717) 534-1398

LANCASTER CO.
LAWN CARE OF PA.
Martindale, PA. 17549
(215) 445-4541

J.B. HOSTETTER & SONS
Mount Joy, PA. 17552
(717) 653-1841
WAYNE B. HOTTENSTEIN
Manheim, PA 17545
(717) 898-7794

LEBANON CO.
BLUE MOUNTAIN ENTERPRIZE
Jonestown, PA. 17038
(717) 865-2994
MARTIN'S HARDWARE & EQUIP.
Newmanstown, PA.
17173
(717) 949-6817

MONTGOMERY CO.
R.L. MARTIN CO.
Limerick, PA. 19468
(215) 489-2597

NORTHUMBERLAND CO.
YOCUMS MOTOR SPORTS
Milton, PA. 17847
(717) 742-4706

SCHUYLKILL CO.
MARLIN SCHREFFLER
Pitman, PA 17964
(717) 648-1120

UNION CO.
BENDER'S SALES & SERVICE
Mifflinburg, PA. 17844
(717) 966-1373

YORK CO.
NEUMAN EQUIP. CO.
Dover, PA. 17315
(717) 292-2101 or 5255

CARROLL CO.
RIDGE CABINET SHOP
Mt. Airy, MD. 21771
(301) 875-2211 or (home) 875-2147

MONTGOMERY CO.
PROMOWER INC.
Rockville, MD 20850
(301) 948-6920

If there is no dealer in your area call Lawn Care Distributors - 215-445-4541