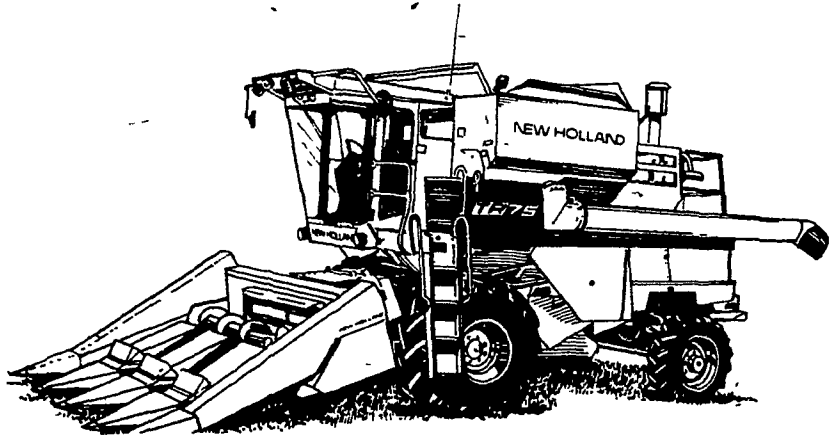


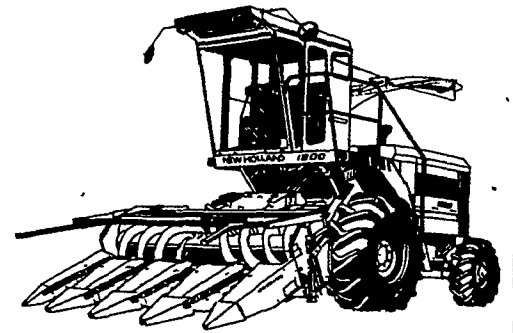


Calling All FARMERS...

YOUR SPERRY NEW HOLLAND DEALER IS READY TO DEAL!
— DISCS — FORAGE EQUIPMENT — COMBINES —



The 250-hp Model 1900 chopper features an exclusive electronic metal detector that reduces harvester damage, and helps cut down on hardware disease. Exclusive underbeveled knives never need rebeveling. Exclusive flip-up feedrolls make shearbar adjustment easy. Exclusive interchangeable cropheads — ideal for the farmer/rancher who chops both windrowed crops and row crops. Plus a big choice of other crop heads. Under-knife baffles increase capacity.



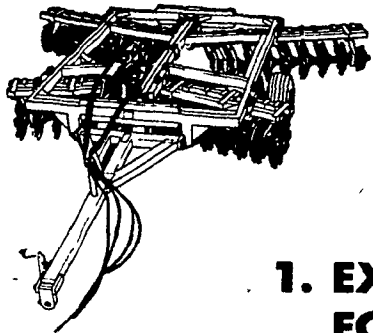
There's nothing like a Twin Rotor™ combine from Sperry New Holland. For good reason. The dual-rotor threshing is patented so others can't duplicate it. Come in soon and let us tell you about this exciting advance in combining. There are three models to choose from. And be sure to ask us about the completely new line of Sperry New Holland corn heads, flexible cutterbar soybean headers and rigid cutterbar grain heads.

There's a big choice of crop heads, including the exclusive interchangeable 3-row crop head/windrow pickup, 2-row low-profile crop head, conventional windrow pickup, sicklebar and ear-corn snapping heads. Under-knife baffles increase capacity.

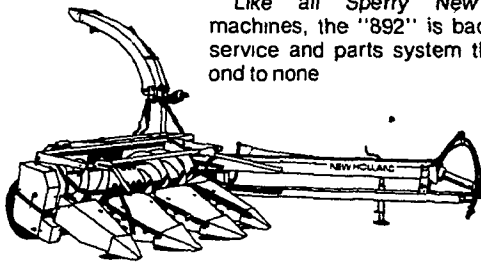
The Model 892 is the biggest capacity pull-type forage harvester offered by Sperry New Holland. Built for big tractor horsepower, the "892" will power through the driveline, and be used with tractors up to 175 horsepower.

Like all Sperry New Holland machines, the "892" is backed by a service and parts system that's second to none.

The optional electronic metal detector — a Sperry New Holland exclusive — reduces harvester damage and can cut down on hardware disease. The "892" is available with 12-knife or 8-knife cutterhead. Exclusive underbeveled knives never need rebeveling and make knife sharpening fast and easy. Flip-up feedroll makes shearbar adjustment easy.



Sperry New Holland now offers a complete line of heavy-duty Offset and Tandem Disks. Their rugged construction assures top performance for both primary tillage and final seedbed preparation. Stop in soon and get a first-hand look.



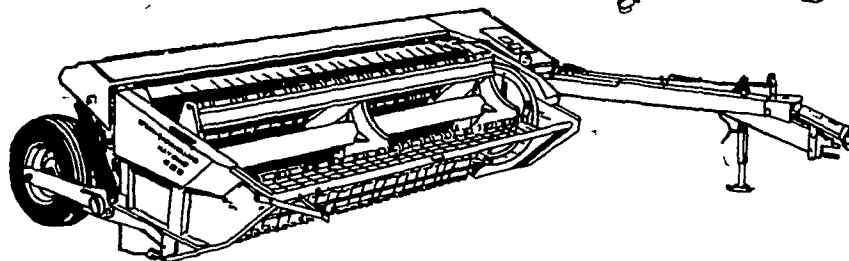
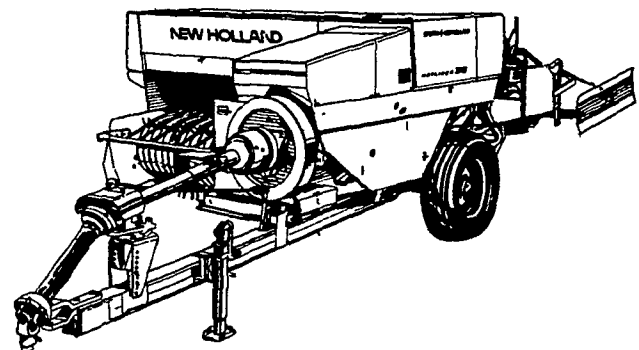
- 1. EXTENDED FREE FINANCE 'TILL MARCH '82 ON COMBINES AND FORAGE AND APRIL 82 ON HAY TOOLS OR...**
- 2. LOWER INTEREST RATE CONTRACTS
2 YRS. AT 13.9% APR - 3 YRS. AT 14.9% APR - 4 YRS. AT 15.9% APR OR...**
- 3. RENTAL PURCHASE PLAN WITH GUARANTEED FREE FINANCE TILL NEXT SUMMER**
- 4. \$500 REBATE ON DISCS IN SEPTEMBER**
- 5. GREAT DEALS ON LOADERS AND SPREADERS**

← **SEE THESE SPERRY NEW HOLLAND DEALERS**
— SPREADERS — LOADERS — HAY TOOLS —



That's what you'll call a Sperry New Holland skid-steer loader after you run one. Super Boom lets you load the center of a tandem-axle spreader, handle big round bales, bags of fertilizer or feed, clean stalls and much, much more. The unique lift linkage gives you 28 to 34 inches of forward dump reach depending on which of the six models you choose. Super Boom also gives you more capacity, more stability and less spillback than conventional loaders. Choose gas or Diesel engine from 22-hp to 75-hp. Operating loads range from 900 to 2,050 pounds (S.A.E.).

Think of the time and trouble you'll save with this giant spreader working for you. The Model 800 is the largest pull-type spreader on the market. It is ASAE-rated at 570 cu. ft. heaped volume — that converts to over 510 bushels, or 14 tons per load!



Full-width conditioning rolls in the Model 489 Haybine® mower-conditioner are located in the main frame, not the header. The lighter header responds quicker to ground contours and greatly reduces knife and guard damage. The "489" is designed for operators who demand the very best.

Stop in and get a great deal on the Sperry New Holland Model 315 baler. This 14" x 18" baler is built extra rugged to handle tough crops. It's designed to work hard and give years of dependable service. Now's the time to buy because we're moving our complete stock of hay tools.