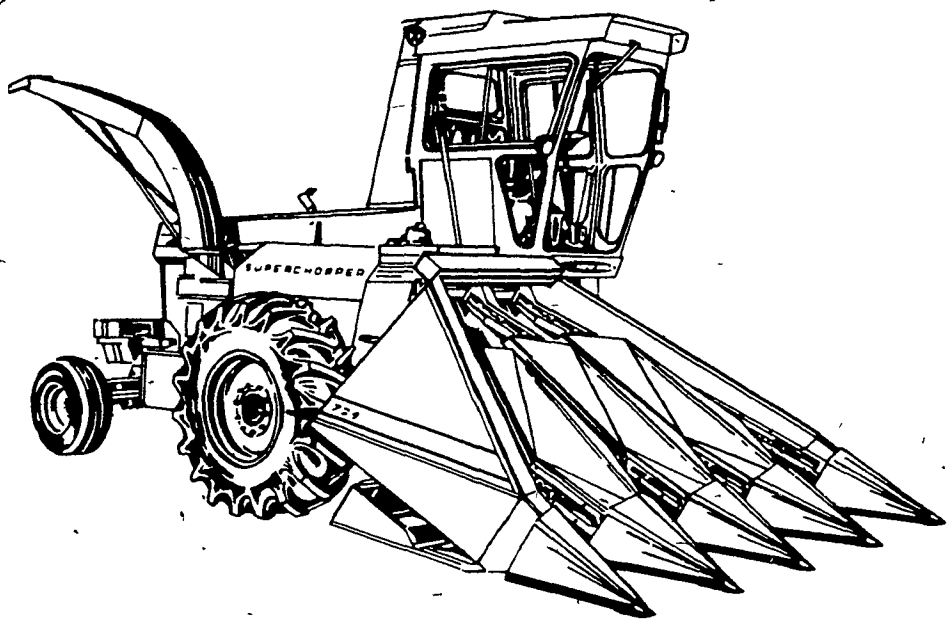


Chop silage costs with a Uni System forage harvester.



CHOP SILAGE COSTS NOW

They're in stock and ready to go. A whole line of Uni forage harvesters

—138 or 175 horsepower. And at a price that fits right in with your way of farming.

Only Uni-System gives you the savings of interchangeability—because you can put together an entire fleet of self-propelled units for harvesting other crops

with only one power source.

See us today and compare for yourself. We'll show you how you save with a Uni forage harvester. And how to get similar savings on Uni combines and huskers.



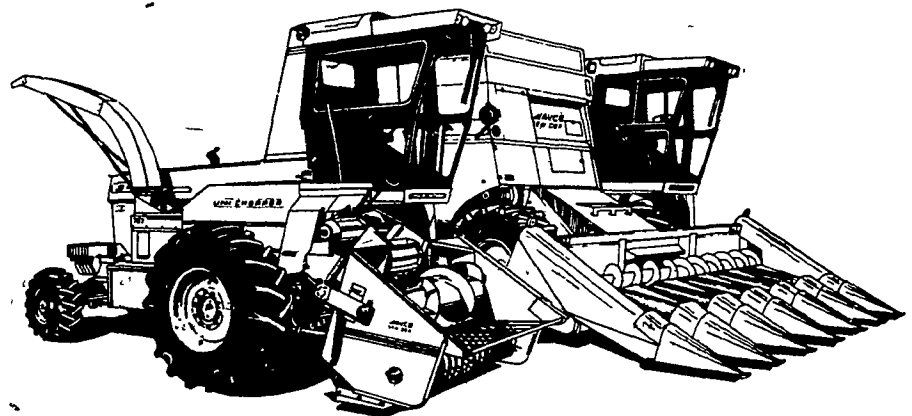
GET MORE, PAY LESS WITH A UNI-SYSTEM.

You can get \$115,493 worth of harvesting equipment for \$81,418—when you buy an Avco New Idea Uni-System. That's because the Uni-System consists of a single power unit with interchangeable harvesting components. So you don't pay for a new engine, drivetrain, cab, etc., for each harvesting job you have to do.

We based this comparison on the Uni-System list price for combine and forage harvester versus comparable fixed-unit equipment.* It comes out to about \$34,000 in savings.

But you might be able to do even better. So stop in and see us today.

*For detailed comparison, please write: Advertising Dept. Avco New Idea Coldwater, Ohio 45828



—GET FULL INFORMATION AT YOUR AVCO NEW IDEA DEALER NOW—

BERKS CO.
N.H. FLICKER & SONS, INC.
Maxatawny
215-683-7252

STANLEY A. KLOPP INC.
Bernville, PA
215-488-1510

MILLER EQUIPMENT
Bechtelsville, PA
215-845-2911

SHARTELSVILLE FARM SERVICE
RD 1, Hamburg, PA
215-488-1025

H. Daniel Wenger, Prop.

ZIMMERMAN'S FARM SERVICE
Bethel, PA
717-933-4114

BRADFORD CO.
ALLIS HOLLOW EQUIP.
RD 1,
Rome, PA
717-247-2601

BUCKS CO.
PAUL W. HISTAND CO.
Doylestown, PA
215-348-9041

C.J. WONSIDLER BROS.
Quakertown, PA
215-536-1935

BUTLER CO.
ROCK IMPLEMENT INC.
Slippery Rock, PA
412-794-5860

CAMBRIA CO.
HINES EQUIPMENT
Cresson, PA
814-886-4183

CENTRE CO.
C & P FULTZ EQUIPMENT
R.D. 1
Spring Mills, PA
814-422-8805

R.T. MARKLE
1841 Pine Hall Dr.
State College, PA
814-237-3141

CHESTER CO.
CHAS. J. MCCOMSEY & SONS
Hickory Hill, PA
215-932-2615

STOLTZFUS FARM SERVICE
Cochranville, PA
215-593-2407

CLEARFIELD CO.
HUTTON FARM EQUIP.
Mahaffey, PA
814-277-5504

CLINTON CO.
DUNKLE & GRIEB
Mill Hall, PA
717-726-3115

COLUMBIA CO.
WILLIAM F. WELLIVER
Jerseytown, PA
717-437-2430

CUMBERLAND CO.
ERNEST SHOVER FARM EQUIPMENT
19 West South St.
Carlisle, PA
717-249-2239

DAUPHIN CO.
SWEIGARD BROS.
Halifax, PA
717-896-3414

FRANKLIN CO.
MEYERS IMPLEMENTS INC.
Greencastle, PA
717-597-2170

HUNTINGDON CO.
CLAPPER FARM EQUIPMENT, INC.
Alexandria, PA
814-669-4465

INDIANA CO.
BLAIRSVILLE FARM SERVICE
Blairsville, PA
412-459-9600

JEFFERSON CO.
McGARVEY EQUIP. INC.
Reynoldsville, PA
814-653-9637

JUNIATA CO.
PEOPLES SALES & SERVICE INC.
Oakland Mills, PA
717-463-2735

LEBANON CO.
HEISEY FARM EQUIP., INC.
RD 1, Jonestown, PA
717-865-4526

UMBERGERS MILL
RD 4, Lebanon (Fontana), PA
717-867-5161

LANCASTER CO.
ROY H. BUCH, INC.
Ephrata, RD 2, PA
717-859-2441

A.B.C. GROFF, INC.
New Holland, PA
717-354-4191

A.L. HERR & BRO.
Quarryville, PA
717-786-3521

LANDIS BROS., INC.
Lancaster, PA
717-291-1046

LONGENECKER FARM SUPPLY
Rheems, PA
717-367-3590

N.G. HERSHEY & SON
Manheim, PA
717-665-2271

LYCOMING CO.
THOMAS L. DUNLAP
Jersey Shore, PA
717-398-1391

RICE FARM SUPPLY, INC.
Jersey Shore, PA
717-398-1391

MIFFLIN CO.
IVAN J. ZOOK
Belleville, PA
717-935-2948

MONTGOMERY CO.
WENTZ FARM SUPPLIES
Palm, PA
215-679-7164
NORTHAMPTON CO.
GEORGE V. SEIPLE & SON
Easton, PA
215-258-7146

NORTHUMBERLAND CO.
MECKLEY'S LIMESTONE PRODUCTS, INC.
Herdon, PA
717-758-3915

SCHUYLKILL CO.
L.L. ECKROTH FARM EQUIP., INC.
New Ringgold, PA
717-943-2367

STANLEY'S FARM SERVICE
Klingerstown, PA
717-648-2088

SOMERSET CO.
SUMMIT MACHINERY INC.
814-445-2528

SUSQUEHANNA CO.
WILLIAM B. LOPATOFKY
West Clifford, PA
717-222-3837

TIOGA CO.
WYNNE'S GARAGE
Canton, PA
717-673-8456

WAYNE CO.
MARSHALL MACHINERY
Honesdale, PA
717-729-7117

WYOMING CO.
ACE-JURISTA INC.
Tunkhannock, PA
717-836-2610

YORK CO.
AIRVILLE FARM SERVICE
Airville, PA
717-862-3358

GEORGE N. GROSS, INC.
RD 2, Dover, PA
717-292-1673

CARROLL CO., MD
WERTZ GARAGE, INC.
4132 E. Main St.
Linboro, MD
301-374-2672

CECIL CO., MD
AG INDUSTRIAL EQUIPMENT CO.
Rising Sun, MD
301-658-5568
301-398-6132
215-869-3542

FREDERICK CO., MD
KNOTT N. GEISBERT, INC.
RD 2, Frederick, MD
301-662-3800

HARFORD CO., MD
WALTER G. COALE, INC.
Churchville, MD 21028
301-734-7722

QUEEN ANNE CO., MD
GIBSONS FARM EQUIP. CO.
Ingleside, MD
301-758-0262

TALBOT CO., MD
ELLIOTT EQUIP. & HDW.
Easton, MD
301-822-8866

BURLINGTON CO., NJ
REED BROS. EQUIPMENT
Columbus, NJ
609-298-3441

CUMBERLAND CO., NJ
LESLIE FOGG INC.
Bridgeton, NJ
609-935-5145
WARREN CO., NJ
FRANK RYMON & SONS INC.
Washington, NJ
201-689-1464