

Youngsters to be honored at Eastern Nat'l Livestock Show

TIMONIUM, MD — Three \$1,000 scholarship will be awarded to winning youngsters in special livestock, dairy and horse judging events to be held as a part of the 35th annual Eastern National Livestock Show at the Maryland State Fairgrounds here October 2-11.

The three events — Junior Stockman of the Year, Junior Dairyman of the Year and Junior

Horseman of the Year — are open to 4-H Club and Future Farmers of America Chapter members. Age limits for all three contests are from 14 to 19 years.

September 15 is the registration deadline.

Competition is open to teams of three contestants and individuals who are members of 4-H organizations and FFA Chapters. In addition to the scholarship for

the top-ranked individuals in each event, team and individual prizes will be awarded.

In the Junior Stockman contest, entrants will compete in nine separate classes which include judging of livestock on the hoof, identifying and grading various cuts of meat and answering written questions on the livestock industry.

Entrants in the Junior Horseman contest will compete in ten classes



Today, August 15

Lancaster Society 3 meets at the home of Irene Eberly for crafts from Craft Corner with Mrs. Burkholder

Monday, August 17

Lancaster Society 31 meets for a program by an IFYE student at the home of Mary Glick

Tuesday, August 18

Berks Society 6 meets at the home of Sara Drumheller for a safety program

Wednesday, August 19

Lancaster Society 33 meets for a program on the Consumer Protection Agency

Thursday, August 20

Lancaster Society 15 meets for a family picnic at Huffnagle Park

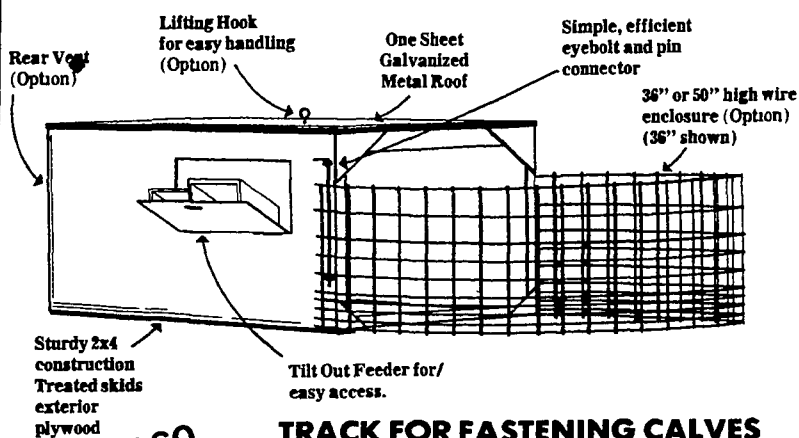
Saturday, August 22

Lancaster Society 4 meets for a family picnic at the Ironville Band Hall

including performance, halter, visual identification and feeding. Judging of heifers, commercial cows, dairy steers and identification of dairy products are some of the classes in the Junior Dairyman Contest.

For detailed information on the events, and on registration, write to the Eastern National Livestock Show, Maryland State Fair Grounds, Timonium, MD 21093.

Compare the Stoltzfus Woodwork Calf Hutch



ALSO AVAILABLE: TRACK FOR FASTENING CALVES CHAINED TO CEILING OF HUTCH

Dealers: (Calf Hutches Only)

Adams County:
LIPPY & RINEHART SALES

Glen Lippy, Littlestown, Pa
717-359-5793 or

John W Rinehart, Taneytown, MD
301-346-7326

Lebanon County:
UMBERGER'S MILL
Rt. 322, RD#4 Lebanon, Pa
717-867-5161

Berks County:
JOE RUTH

RD #4133 Fleetwood, Pa 19522
215-944-7571

Chester County:
ZOOK'S FARM STORE
Honey Brook, Pa
215-273-2943

MFD. BY: **STOLTZFUS WOODWORK**

RD 2, Box 2280, Gap, PA 17527
717-442-8972

★ DEALERSHIPS AVAILABLE IN SOME AREAS ★

AVAILABLE NOW!

ROTEC



A VARIETY OF AGRI-TANKS FOR
**CHEMICAL STORAGE,
TRANSPORT & APPLICATION:**

- UNION CARBIDE'S NEW RESIN FOR THE AGRICULTURAL '80's
- CIBA-GEIGY U V STABILIZER
- ALL SHAPES & SIZES
- STRONG, ONE-PIECE CONSTRUCTION
- MADE TO LAST FOR YEARS & YEARS
- 1-YEAR LIMITED (BUT NOT VERY) WARRANTY

Call Today or Stop In and Let Us Solve Your Agri-Tank Needs —

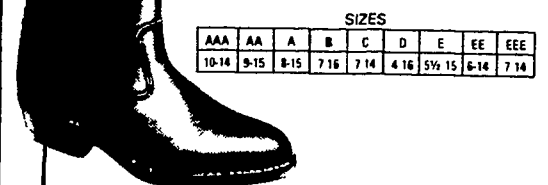
Distributed in your area by

MARTIN'S AG SERVICE
R.D. 1 - Gristmill Rd.
New Holland, PA 17557

PH. 717-354-4996 or
717-354-5848

Dealer Inquiries Invited!

Plain or Safety Steel Toe
Hardworking Feet Deserve
**THE HEEL FIT
OF PECOS BOOTS**



Heel Fitted Counter

The Pecos 1155 is, by far our best selling boot. No wonder. It's good looking, rugged and comes in a wide range of sizes. For the heel-hugging fit of your life, slip on a pair of Pecos boots. We've got your size!

RED WING



**WAYNE'S
DRY GOODS**

271 W. Main St.

Phone (215) 683-7686
Free Parking at Rear of Store

Kutztown

TOBACCO

SUPER SUCKER-STUFF H.C.

Available Now,

1 Gallon Per Acre.

Order Now & SAVE!



2 1/4 lb. K-MH

CUSTOM SPRAYING

Two high clearance tractor sprayers equipped especially for tobacco - 3 cone tips per row to insure maximum leaf area coverage.

We are ready for any spraying needs as they arise in Lancaster County's tobacco crop.

Call us for field inspections and line up your spraying needs.

ORGANIC PLANT FOOD CO.

BULK BLENDS

MASTER FARMER

ANHYDROUS AMMONIA

2313 NORMAN ROAD,
LANCASTER, PA

PHONE: 717-397-5152

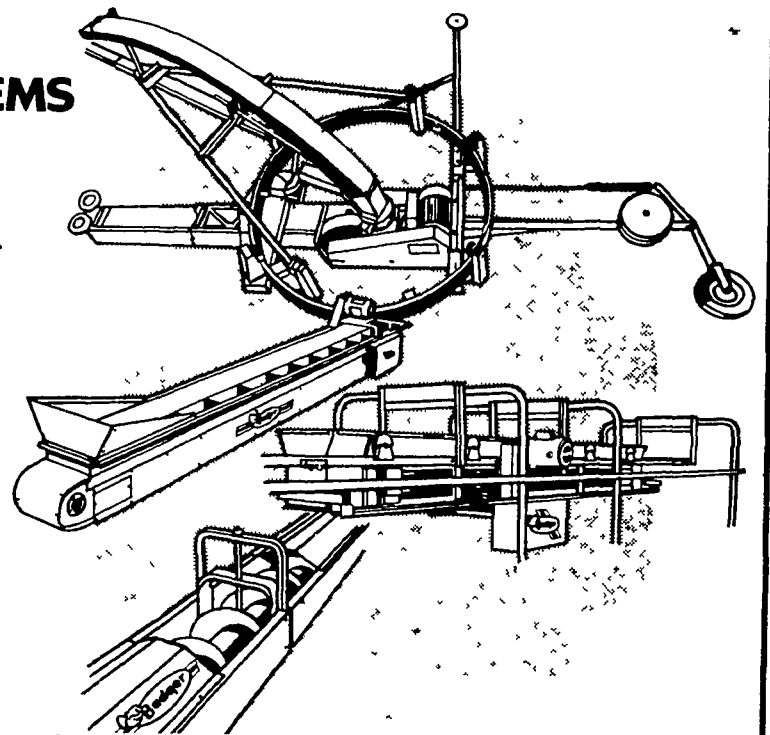
Hours Monday thru Friday 7 to 4
Closed Saturdays during August

Badger

from field to silo...
Badger has the system

FEEDING SYSTEMS

Here's the top of the line designed to be ahead of its time... and to keep your workday ahead of schedule. Badger systems are built better to do the job better. Look at any part of the Badger system and you're looking at a better way, at less cost per ton.



THE PEOPLE THAT CARE ABOUT YOUR FARM YOUR BUSINESS AND YOU!

PIKEVILLE EQUIPMENT INC.

RD 2
Oley, PA 19547
Ph (215) 987-6277

Cecil Dairy Service

RD 1 Rt. 274
1/2 Mi. South Rising
Sun, MD 21911
Ph (301) 658-6923

GRUMELLI'S FARM SERVICE

Mechanics Grove
Quarryville, PA 17566
Ph (717) 786-7318

LLOYD E. KREIDER

RD 1
Cochranville, PA
19330
Ph. (215) 932-4700

ROY O. CHRISTMAN

RD 1
Hamburg, PA 19526
Ph (215) 562-7218

SHOW-EASE STALL CO.

523 Willow Rd
Lancaster, PA 17601
Ph. (717) 299-2536