

National Awards program honors 3 Lebanon youths

LEBANON — Three Lebanon County youth have been named Keystone winners in the 4-H National Awards program.

Named as Keystone winners are: Birdena Donough, 16, in Wood Science. Birdie, a junior at Palmyra Area High School is president of the Palmyra Cougars 4-H Club and a teen leader. Her 4-H activities include Leadership Congress, Lebanon Area Fair, aluminum recycling, and Olympic Day. Last year, Birdie was one of 25 4-H'ers selected for State Fashion Revue. She is the daughter of Elsie and Harold G. Donough, Palmyra.

Beth Ann Shiner, 16, was selected for Bread, Clothing, and Outstanding 4-H'er. Beth is a teen leader in the Myerstown Raiders 4-H Club and vice-president of county 4-H Teen Council. Her 4-H activities include Fashion Revue, Leadership Congress, Citizenship-Washington Focus, and Olympic Day. In June, she was one of 2 Pennsylvanians selected to attend

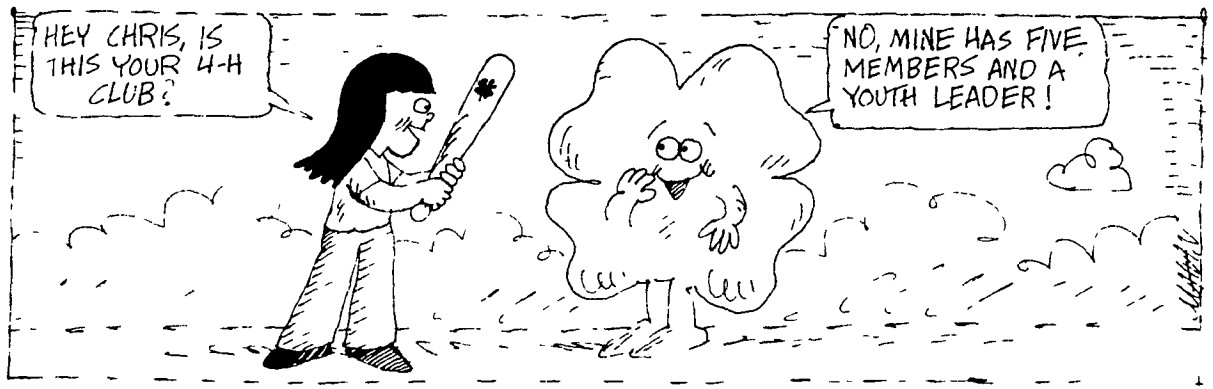
the Ohio 4-H Leadership Congress. A daughter of Gail and Dan Shiner, Myerstown, Beth will be a senior at Elco. She is employed by the Lebanon Area Fair.

Dan Shiner, 14, was chosen for Electric Energy. Dan, president of Myerstown 4-H Raiders and a member of Teen Council, is chairman of the 4-H vs. the Lions Club Aluminum Recycling Project. His other 4-H activities include camp counselor, demonstrations, Leadership Congress, and Olympic Day. He is the son of Gail and Dan Shiner and will enter his sophomore year at Elco this fall.

Keystone winners are interviewed to determine the 4-H teen most qualified to represent Pennsylvania at the National 4-H Congress to be held in Chicago in November.

State winners receive expense paid trips and are eligible for \$1000 scholarships provided by corporate donors.

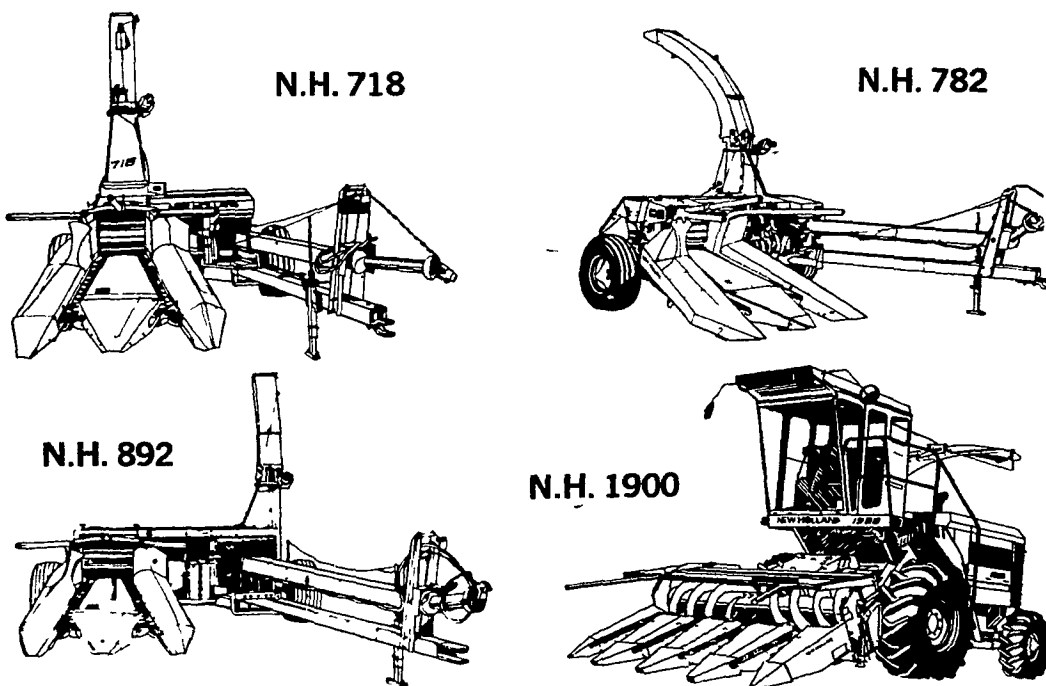
CHRIS CLOSER





The sign of
the times...
is here.

Now you can choose from North America's best selling line of forage harvesters, from the smallest to the largest.



A SELECT LINE OF GOOD USED EQUIPMENT		ALL HAY & FORAGE EQUIPMENT INTEREST FREE TILL JANUARY 1, 1982
NH 273 Baler super sweep w/ auger NH 273 Baler w/thrower NH 268 Baler w/thrower NH 1469 SP Haybine (2) NH 469 Haybines	NI Cut-Ditioner Hesston pt 10 Mower Conditioner NH Super 717 Harvester w/1 row corn head NH 890 Harvester w/2 row corn head	

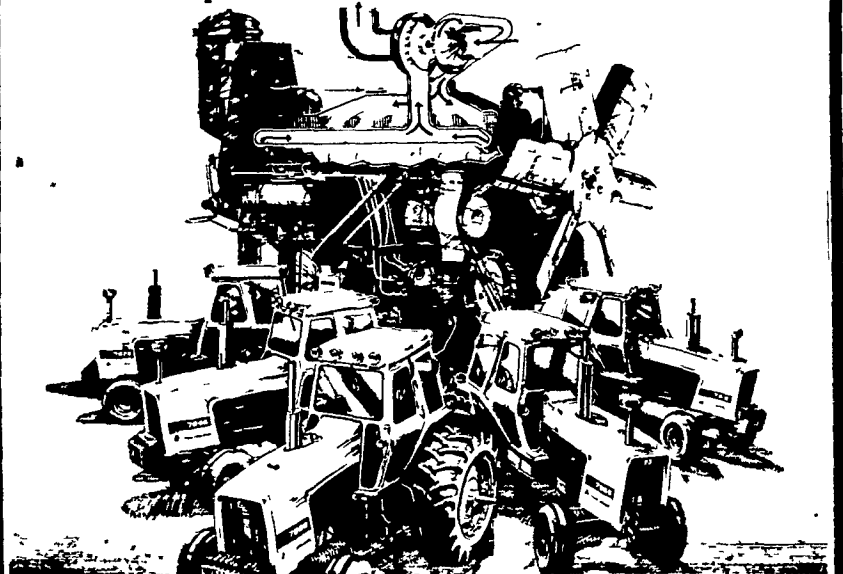
C.E. WILEY & SON INC.
101 S. Lime Street, Quarryville, PA
Phone: 717-786-2895

YOUR
SPERRY-NEW HOLLAND
DEALER



CHALLENGE #4

Who leads more hp classes for fuel efficiency in over-100hp 2WD tractors?



Allis-Chalmers turbocharges all its over-100hp tractors.

Turbocharging is just one of the reasons why Allis-Chalmers leads 3 of the 5 over-100 hp 2WD categories in tests for fuel economy. Our diesels are years ahead in productivity, dependability and fuel economy. 3 of our biggest over-100 hp 2WD tractors feature intercoolers for improved performance, economy and long life. A new fuel lift pump assures top performance and easy cold-weather starting. By-pass oil filters mean cleaner oil, fewer changes.

Take the challenge. Compare feature for feature. You'll discover why our line and your Allis-Chalmers dealer are better designed for your operation when it comes to fuel efficiency and top performance.

Better by Design
ALLIS-CHALMERS

New 3 year tractor service policy now available. See us for details.

ROY H. BUCH, INC.
Ephrata, RD 2, PA
717-859-2441

WERTZ GARAGE
Lineboro, MD
301-374-2672

AGRONOMICS INC.
Box 64, R D. 2
Factoryville, PA
717-945-3933

PAUL DOTTERER FARM EQUIPMENT
R.D. 2, Mill Hall, PA
717-726-3471

NICHOLS FARM EQUIPMENT
R.D. 1 Bloomsburg, PA
717-784-7731

MARSHALL MACHINERY
R.D. 4, Honesdale, PA
717-729-7117

L. H. BRUBAKER, INC.
Lancaster, PA
717-397-5179

C.J. WONSIDLER BROS.
RD1, Quakertown, PA
215-536-1935
215-536-7523

AG. IND. EQUIPMENT CO., INC.,
1207 Telegraph Rd
Rising Sun MD
301 658 5568
301 398 6132
215 869 3542

PETERMAN FARM EQUIPMENT, INC.
225 York Road
Carlisle, PA
717-249-5338

SHARTLESVILLE FARM SERVICE
Hamburg, PA
215-488-1025
H. Daniel Wenger, Prop.

MECKLEY'S LIMESTONE PRODUCTS INC.
R.D. 1 Herndon, PA
717-758-3915

C. J. WONSIDLER BROS.
Rt. 309 & 100
R2 New Tripoli, PA
215-767-7611

B. EQUIP., INC.
8422 Wayne Hwy
Waynesboro, PA
717-762-3193

GRUMELLI FARM SERVICE
Quarryville, PA
717-786-7318

BHM FARM EQUIPMENT, INC.
Annville, RD1, PA
717-867-2211

C.J. WONSIDLER BROS.
RD 2, Oley, PA
215-987-6257

B & R FARM EQUIPMENT, INC.
R D 1, Box 217A
Beavertown, PA
717-658-7024

AIRVILLE EQUIPMENT, INC.
P O Box 37,
Airville, PA
717-862-3358