



**CUMBERLAND COUNTY DHIA Monthly Report**

June 1981

Cumberland County Dairy Herd Improvement records show that 8449 1 cows in 138 herds were on production testing in June according to Duane G. Duncan, County Agent. Of the 114 herds on DHIA, 65 herds had an average fat production of 1.50 pounds per cow per day for the month. During the month 140 completed their 305 day lactation with 600 lbs of but terfat. DHIA Supervisors working with the dairymen to im prove efficiency include Harold Boldosser, 130 Old Gap Road, Carlisle, Paul Wynn, RD #1, Box 88, Newburg, Jay Zeigler, RD #1, Carlisle, and John Rolar, RD #2, Newville. The following are the highest of actual butterfat in 305 days or less in the county during the month. The age listed is her age at the time of freshing.

Robert Strock								
Claudia	RH	4	22,396	865				
Roy L & James Miller								
7	GH	8	22,627	862				
M Thomas Sheaffer								
Mamie	RH	4	22,112	862				
Milk Way Farms								
80	GH	3	19,645	860				
M Thomas Sheaffer								
Jennie	RH	3	20,984	822				
Ashcombe Farms								
140	RH	7	21,664	803				
Stambaugh Farms								
70	GH	10	18,505	790				
Lee A Hoover, Jr								
Verna	RH	7	20,854	789				
M Thomas Sheaffer								
Katrice	RH	10	21,830	781				
Roy L & James Miller								
49	GH	9	20,377	765				

**High DHIA Summaries for June**

OWNER	BREED	NO COWS IN MILK	% DAYS MILK	% FAT	LBS. FAT
Otto Brothers					
7	5	16,469	4.3	704	
14	4	15,278	4.7	723	
Mark A Naugle					
Nina	6	21,444	3.5	754	

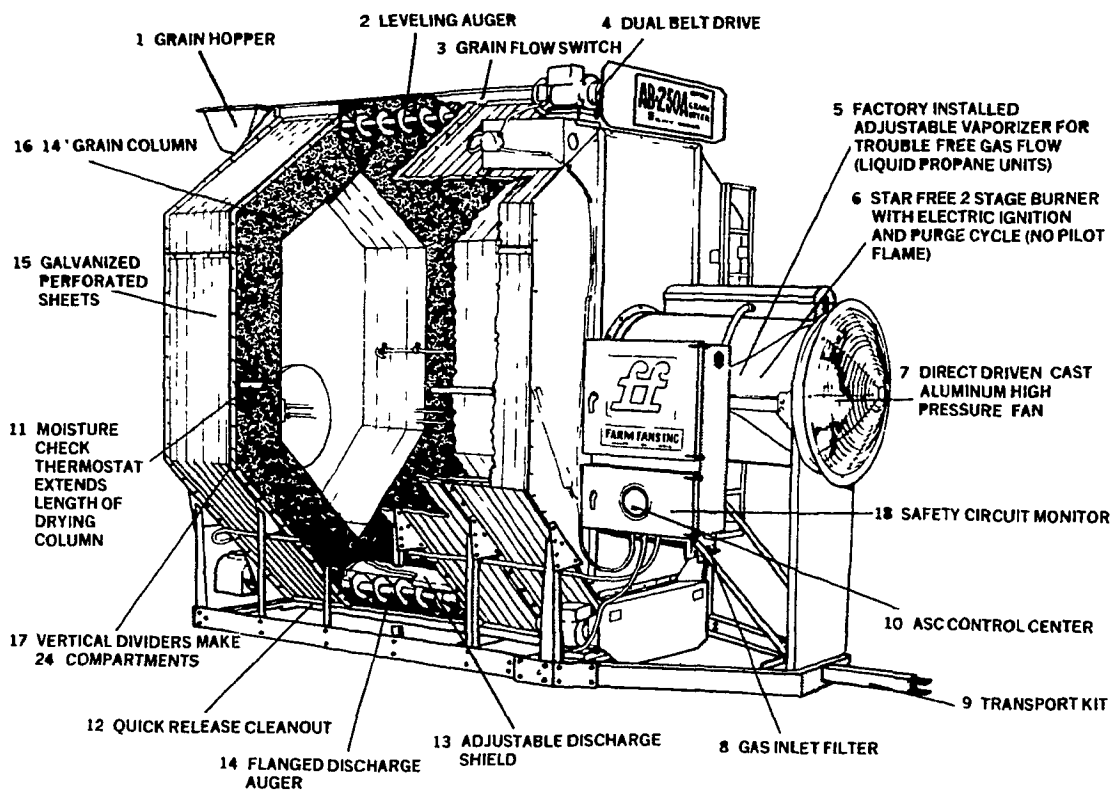
Robert Strock	4	22,396	3.9	865
Claudia	4	17,996	3.6	643
Pearl	3	19,676	3.4	666
Cary				
Norman Hertzler				
Silk	6	14,838	4.5	662
Delmer E Cornman				
Goldie	4	17,077	3.5	604
Sundays Vallilea Farms				
4	3	17,578	3.8	664
33	4	16,775	3.9	654
280	3	17,265	3.6	613
15	2	20,591	3.4	690
J B Brymesser & Sons				
101	8	14,416	4.2	610
139	7	16,263	3.9	640
148	7	19,996	3.5	700
174	6	19,434	3.3	633
194	6	19,256	3.5	669
213	5	17,544	3.5	617
225	5	19,173	3.2	610
267	4	16,673	4.1	679
315	3	16,362	3.9	642
353	1	19,727	3.1	618
Ashcombe Farms				
189	9	23,173	2.9	661
280	7	20,927	3.1	657
140	7	21,664	3.7	803
2	6	15,540	3.9	613
78	6	18,016	3.6	640
266	6	16,386	4.1	664
126	6	15,445	4.0	625
391	4	17,340	3.6	631
162	3	16,846	4.3	732
178	3	18,037	3.9	702
236	3	19,063	3.5	674
256	3	18,601	3.8	709
Chester & Galen Smith				
Beatty	4	14,620	4.3	629
Thrush Brothers				
64	4	16,752	3.9	661
85	4	20,570	3.3	680
80	3	17,317	4.1	713
Willard Fought				
14	6	19,908	3.8	748
Roy L & James Miller				
49	9	20,377	3.8	765
7	8	22,627	3.8	862
39	4	15,498	4.1	629
L Lee Oiler & Son				
Lass	6	18,324	4.1	743
Donald & Dave Lehman				
38	4	18,195	3.8	683
Roy L Cover				
39	5	17,388	3.6	619
415	5	14,259	4.8	689
Paul Strock				
Louise	4	16,196	3.8	623
Heather	2	16,891	3.9	653
Paul O Dyarman				
Jean	10	18,903	3.3	620
Shelby	6	18,825	3.7	699
Edward L Brackbill				
Hoppy	16	17,687	4.1	717
49	3	16,080	3.9	620
Harry & Paul Hoch				
Sophia	8	16,156	3.7	604

Elaine	5	18,096	4.0	731
Elinor	4	17,199	3.9	670
J Glenn Glesner				
16	3	17,274	3.7	642
Milk Way Farms				
3	9	19,676	3.6	718
1	8	14,073	4.5	627
104	4	16,623	3.8	624
80	3	19,645	4.4	860
140	2	15,330	4.1	636
K Hale & N Burkholder				
Sharon	3	20,874	3.4	719
Paul E Peffer & Son				
Gladys	5	14,866	4.1	615
Elmer Gettle				
Anna	8	18,614	3.8	709
Lola	3	15,455	4.1	628
Nettie	2	13,105	4.6	600
Kouger E Hoke				
90	5	14,199	4.5	644
D Clinton Sauder				
Carla	6	21,186	3.2	682
Fred B McGillvray				
Marcia	5	17,642	4.0	702
Rinky	2	15,598	4.1	643
Ross H Holtry				
79	3	18,248	3.4	624
J Shephard Wolff				
Misty	5	17,718	3.5	615
John H Staub				
Sonia	4	16,152	3.7	605
Donald A McCullough				
150	4	13,525	4.8	650
92	3	15,735	3.8	601
Frank J Yost				
Dawn	3	15,657	3.9	616
Ashcombe Dover Dairy				
141	9	17,467	3.9	684
313	5	18,490	3.3	617
356	4	19,557	3.8	735
359	4	17,494	4.2	742
Leroy Showaker & Son				
Corrie	5	16,517	3.8	629
Missy	5	13,671	4.6	623
John F Stamy, III				
28	4	19,594	3.8	744
Carl Kelso, Jr				
75	5	16,732	3.8	639
John E Lapp				
Janie	10	18,347	3.5	642
Maggie	5	18,004	3.9	700
Sylvia	4	15,560	4.4	692
Leroy Chestnut				
42	5	18,166	3.6	657
47	3	18,783	3.2	606
Lady	3	16,631	3.9	654
Chester C Weaver				
Sandy	2	14,769	4.1	607
Igloo	2	13,316	4.6	618
Samuel D Shenk				
Cindy	6	18,861	3.3	631
Carla	5	17,602	3.9	684
Destiny	5	15,644	3.9	604
Robert H Jamison				
Spring	8	16,677	4.0	660

(Turn to Page C40)



**FARM FANS**  
Staged Automatic Grain Dryers



**SPECIAL PRICE ON DRYERS IN STOCK**

**Model AB-8B Dryer,**  
210 Bushel per Hour Capacity, Single Phase . . . . . **\$6995<sup>00</sup>**

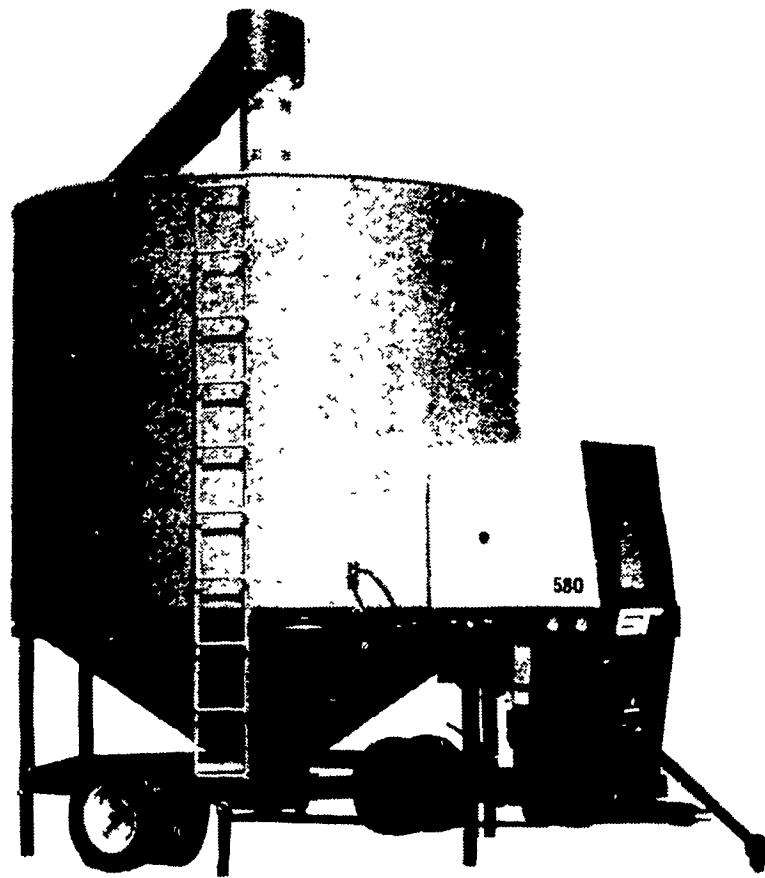
**Model AB-120A Dryer,**  
190 Bushel per Hour Capacity, Single Phase . . . . . **\$6495<sup>00</sup>**

★ FULL LINE PARTS DEPARTMENT ★ WE SELL, SERVICE & INSTALL

**EMHERR EQUIPMENT, INC.**  
RD 1, Rt. 272 S., Herrville Rd.,  
Willow Street, PA  
Phone: 717-464-3321

Serving The Industry for Over 20 Years

**PTO GRAIN DRYER**



**IN STOCK: MODEL 380 MODEL 580** Call For Special Prices!



**TRANSPORT AUGERS**

"Let's Make A Deal"

6" and 8" Assembled, In Stock