

Which soybean variety is for you?

NEWARK, Del. — Which soybean variety gives the best yield?

The answer varies, depending on factors such as soil type, planting date, cultivation practices, row spacing, and the disease, insect, and weather conditions that occur in a given year.

To help farmers make the right choices, University of Delaware associate scientist Ed Wisk conducts soybean variety trials under the various conditions growers face. His plots will be on view at Ag Progress Day at the Newark Experimental Farm on Wednesday, August 5, from 4 p.m. until 8:30 p.m.

A week later farmers can tour the soybean plots and other research demonstration plots at the University's Georgetown

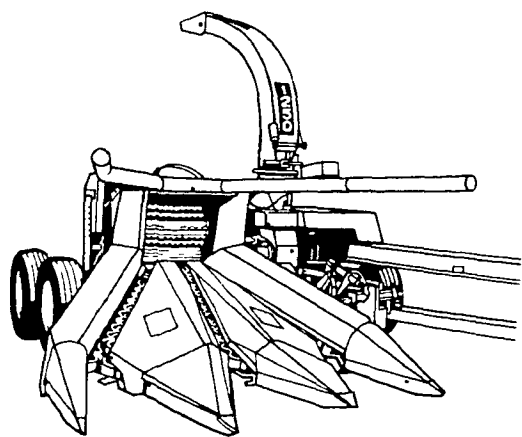
Substation during Farm and Home Field Day, which will be held from 9:30 a.m. until 3:30 p.m.

In one project, Wisk has planted soybean varieties in barley stubble at both locations. The results show yields best under no-till conditions.

In another test, Wisk is trying out 45 soybean varieties on four soil types around the state. Besides the plots on the silt loam soil at Newark and the sandy soil at Georgetown, he also has plots on the farms of two cooperating farmers, Cliff Murray of Selbyville, on high organic matter soil, and Joe Hughes, of Felton, on a sandy loam soil.

In other work, Wisk is looking at the interactions of row spacing, planting date and soybean varieties at Newark and Georgetown. He's comparing ten varieties, including some new ones, planted either during the first week of June or the second week of July, at 7, 14 and 28-inch row spacings.

Visitors to the Georgetown Farm and Home Field Day can also get a first-hand look at a semi-dwarf soybean variety, Pixie, and some green seeded vegetable strains.



Super Capacity!

High performance, quality and super capacity describe the new 1250 forage harvester from Gehl! Outstanding features include reversing one-way shear bolts on feed roll drives, a new single station shear bar adjustment, a more rigid drawbar, and a new discless blower for easier fan blade adjustment. See us today for more information on the new Gehl 1250 forage harvester.

**Waiver Of Finance Available
On ALL Gehl Hay & Forage
Equipment Until
Dec. 15, 1981**

GEHL®
FARM EQUIPMENT

**PEOPLE'S
SALES & SERVICE**
Oakland Mills, PA
717-463-2735

N.G. HERSHEY & SON
Manheim, PA
717-665-2271

A. L. HERR & BRO.
Quarryville, PA
717-786-3521

S. JOHNSON HURFF
Pole Tavern
Monroeville, NJ
609-358-2565 or
609-769-2565

STOUFFER BROS. INC.
Chambersburg, PA
717-263-8424

ARNETT'S GARAGE
Rt. 9 Box 125
Hagerstown, MD
301-733-0515

UMBERGER'S MILL
Rt. 4 Lebanon, PA
(Fontana)
717-867-5161

ZOOK'S FARM STORE
Honey Brook, PA

MILLER EQUIPMENT CO.
RD 1
Bechtelsville, PA
215-845-2911

**BINKLEY &
HURST BROS.**
133 Rothsville
Station Road
Litz, PA
717-626-4705

AGWAY, INC.
Chapman Equip
Center
Chapman, PA
215-398 2553

**CHAS. J. MCCOMSEY
& SONS**
Hickory Hill, PA
215-932-2615

WERTZ GARAGE
Lineboro, MD
301-374-2672

CLAIR J. MYERS
Lake Road R1
Thomasville, PA
717-259-0453

**PETERMAN FARM
EQUIPMENT, INC.**
225 York Rd.
Carlisle, PA
717-249-5338

Grain Storage and Mixing Feed Equip. LIQUIDATION

Mixers, elevators, grain tanks, dryers, augers, bins, rolling, grinding, pelleting equip., trucks, autos.

Is there something you need??

Write or Call for our
complete list today
E.H. KEEN & SON INC.

PO BOX 25
PARKESBURG, PA 19365
Ph: (215) 857-5515

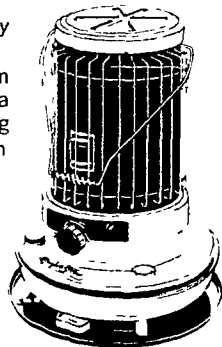
NOW YOU CAN AFFORD TO STAY WARM

If you're frustrated by the high cost of heating, a Comfort Glow portable room heater provides warmth for only pennies an hour. This heater is designed to be almost 100% efficient using clean safe kerosene.

So dial down the thermostat of your central system and use the Comfort Glow portable room heater where and when you need warmth. Heat only the area or areas you are in and save energy dollars.

Each heater has a battery powered push button start and automatic safety shut off for added convenience and safety.

Buy now and save energy costs later.
19 500 BTU/hour GC19 room heater gives you extra warmth for more extra big heating needs. Push button electronic start.



Pre-Season Special
Till Aug. 8
\$195.50

Comfort Glow Standard Features

automatic extinguishing system fuel level indicator long life wick fuel siphon pump included protective base tray convenient carrying handle leveling device

DANIEL'S FARM STORE

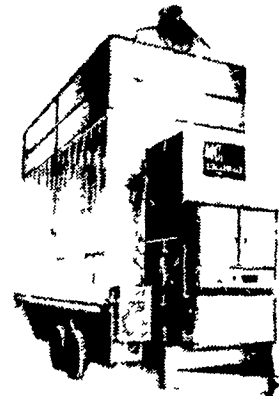
Animal Health Supplies & Livestock Equipment
Located between Leola & Talmage along Rt. 772
RD 1 Leola, Pa 17540
717-656 6982



HIGH SPEED CONTINUOUS GRAIN DRYERS

THE PROVEN WAY TO:

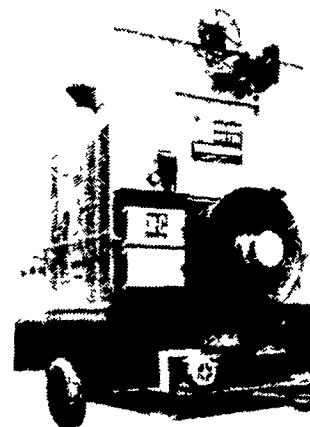
- Freedom From Weather Worries
- Minimum Field Losses
- Highest Quality Finished Crops
- Time and Labor Savings
- Better Prices
- Increased Energy Savings



ELECTRIC CONTINUOUS FLOW MODELS
CONTINUOUS FLOW MODELS - TRACTOR PTO
DRYERATION CAPACITIES UP TO 1400 BU./HR.



PORTABLE NON/STOP AUTOMATIC BATCH DRYER



- Fully Automatic
- Simple Controls
- Dries Any Crop
- 2 Models - 142 Bu. and 284 Bu.
- Heavy Duty Construction Throughout
- Metering Rolls Insure Smooth Grain Flow
- Controls Grain Moisture With Automatic Moisture Control

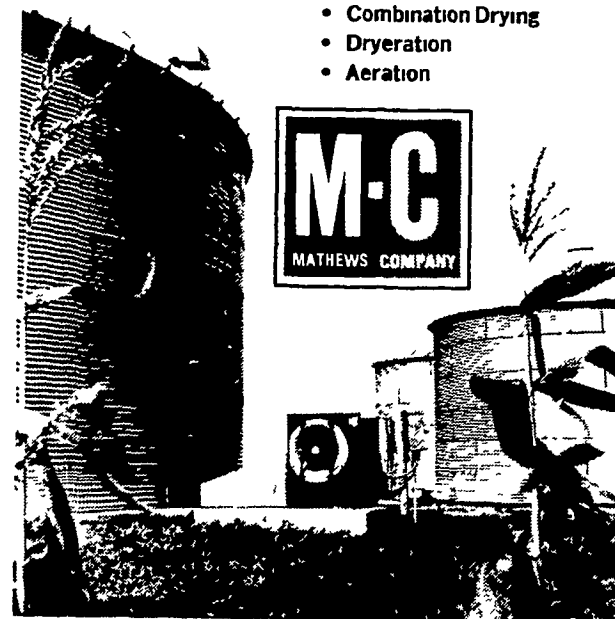
DRY
3 WAYS

- 1 Standard—Dry and Cool.
- 2 Dryeration or Combination. Heat Only—Cool In Bin.
- 3 Continuous Batch. Heat Only—Cool In Bin.

CENTRIFUGAL BIN FANS

THE CROWNING TOUCH TO ANY HIGH QUALITY
GRAIN DRYING SYSTEM

- High Temperature Bin Drying
- Low Temperature Bin Drying
- Combination Drying
- Dryeration
- Aeration



H
**HERSHEY EQUIPMENT
COMPANY, INC.**

SYCAMORE IND. PARK
255 PLANE TREE DRIVE
LANCASTER, PA 17603
(717) 393-5807

Route 30 West At
The Centerville Exit

Designers of Quality Systems for Poultry, Swine and Grain Handling