

State entomologist seeks gypsy moth control in U.S.S.R.

HARRISBURG — A Pennsylvania Department of Environmental Resources entomologist is back from the Soviet Union with more than 200 parasites to prey on the gypsy moth.

Mark Ticehurst, a DER entomologist serving 10 counties in central Pennsylvania, spent more than three weeks in the Soviet Union working with scientists from the Ukrainian Forestry Research Institute, in the vicinity of Kharkov and Kherson.

Accompanied by three US Forest Service entomologists, Ticehurst made the trip as part of a US/USSR Science Technology agreement to jointly evaluate integrated forest pest

management techniques in use against defoliating insects such as the gypsy moth and the oak leaf roller.

"The gypsy moth problem in the Soviet Union doesn't appear to be as serious as it is here in the United States," said Ticehurst. "This is probably because the Soviet Union has more parasites to prey on the gypsy moth."

"Parasites are the primary agents for gypsy moth control in that country and they offer a potential for more widespread control here at home," he explained. "I brought back 230 specimens, several of which still are at the US Department of Agriculture's Beneficial Insect

Research Laboratory, in Newark, Del., to determine how environmentally safe they are to use and to make sure they are not hyper-parasites, that is, parasites that will parasitize other parasites."

Ticehurst added "Some already have been cleared by the research lab and transported to DER's Forest Pest Management lab at Middletown for study and possible release. Others, still in quarantine at the Delaware facility, may be there until next spring."

Ticehurst, who was accompanied by an interpreter during his visit to Russia, said the

Soviets also are using chemical sprays in an effort to combat the gypsy moth and, at the same time have tried increasing predation by birds.

To do this, he explained, the Russians construct nesting boxes for the birds. He said they may locate about 10 boxes per acre to attract as many birds as possible to the area. But, he added, this practice is not necessarily recommended here especially since the bird species in Russia differ from those found in this country.

During his stay in Russia, Ticehurst found the Soviet

scientists extremely cooperative but pointed out there was little, if any, free time allowed to just wander around. Practically every moment was accounted for, he said.

He said the U.S. delegation described current research and application technology, including work at the Forest Pest Management lab at Middletown to reduce the rate of insecticides used, based on mortality from natural enemies. This work is in the experimental stage but has displayed the potential for economic and environmental control for the gypsy moth.

Broiler placements up

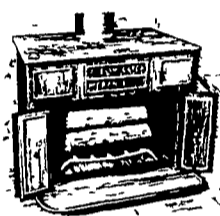
HARRISBURG — Placements of broiler chicks in the Commonwealth during the week ending July 11 were 2,338,000, according to the Pennsylvania Crop Reporting Service.

The placements were eight percent above the corresponding week a year earlier and slightly above the previous week. Average placements during the past nine

weeks were two percent above a year ago.

Placements in the 19 key poultry producing states were 81,807,000, one percent below the previous week but seven percent above the same week a year earlier.

Broiler-fryers slaughtered in Pennsylvania under federal inspection during the week ending July 1 totaled 2,167,000.



**Hydro Heater,
Conestoga &
Baker Stoves
Or Fireplace
Inserts**
"Before You Buy...
Give Us A Try"

J & A STOVES

3752 East Newport Road, Gordonville, Pa. 17529
ROUTE 772 1/2 MILE EAST OF INTERCOURSE
717-768-8913

ROHRER'S QUALITY SEEDS FOR AUGUST SEEDING

- Apollo Alfalfa
- Vanguard Alfalfa
- Redland Alfalfa
- Baylor Brome Grass
- Napier Orchard Grass
- Hawk Hybrid Orchard Grass
- Toro Timothy
- Certified Climax Timothy
- Timothy
- Annual Rye Grass
- Highland Pasture Mix
- Winter Vetch

Holland Extra Baler Twine
Holland Extra Binder Twine

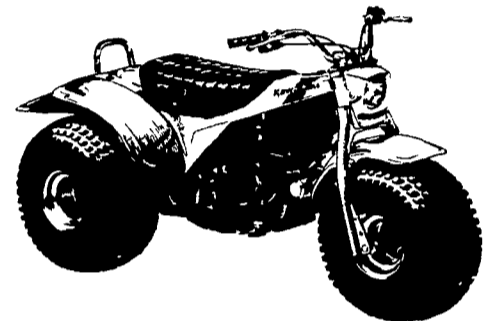
P. L. ROHRER & BRO., INC.

SMOKETOWN, PA PH: 717-299-2571

Play the field.

We dare you to work the field with this American made KLT200 and not have a good time.

It's got a Dual Mode Differential for easier turning and better traction, an exclusive electric starter, 5 speed gearbox, and 200cc 4 stroke engine. A full line of custom accessories designed from the ground up are available.



TRANS-AM CYCLE SALES, INC.

933 Lititz Pike
Lititz, PA Phone 717-626-4765



TRIPLE H CONSTRUCTION CO.

14 N. Church St., Ephrata, Pa. 17522

We Specialize In Constructing Custom Farm Buildings...Poultry, Swine, Storage, etc...
To Fit Your Needs & Specifications!

Contact Glenn Horst
or Luke Hibshman At

717-738-2142

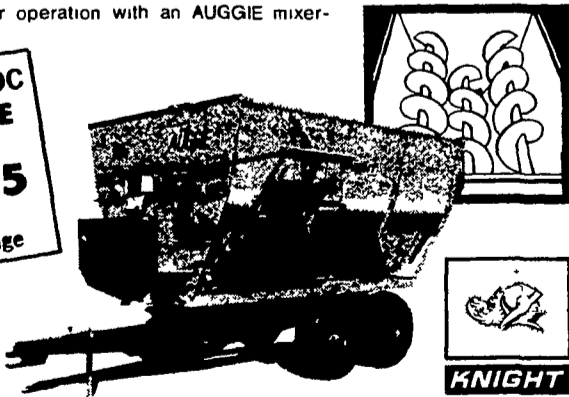
blended rations...

giving every animal all the necessary feeds ...for increased production

Put more profit in your operation with an AUGGIE mixer-blender from Knight

One Leftover LA9C
LITTLE AUGIE
List...\$9238
SALE \$7375
Includes Scale
And Undercarriage

You can depend on a Knight

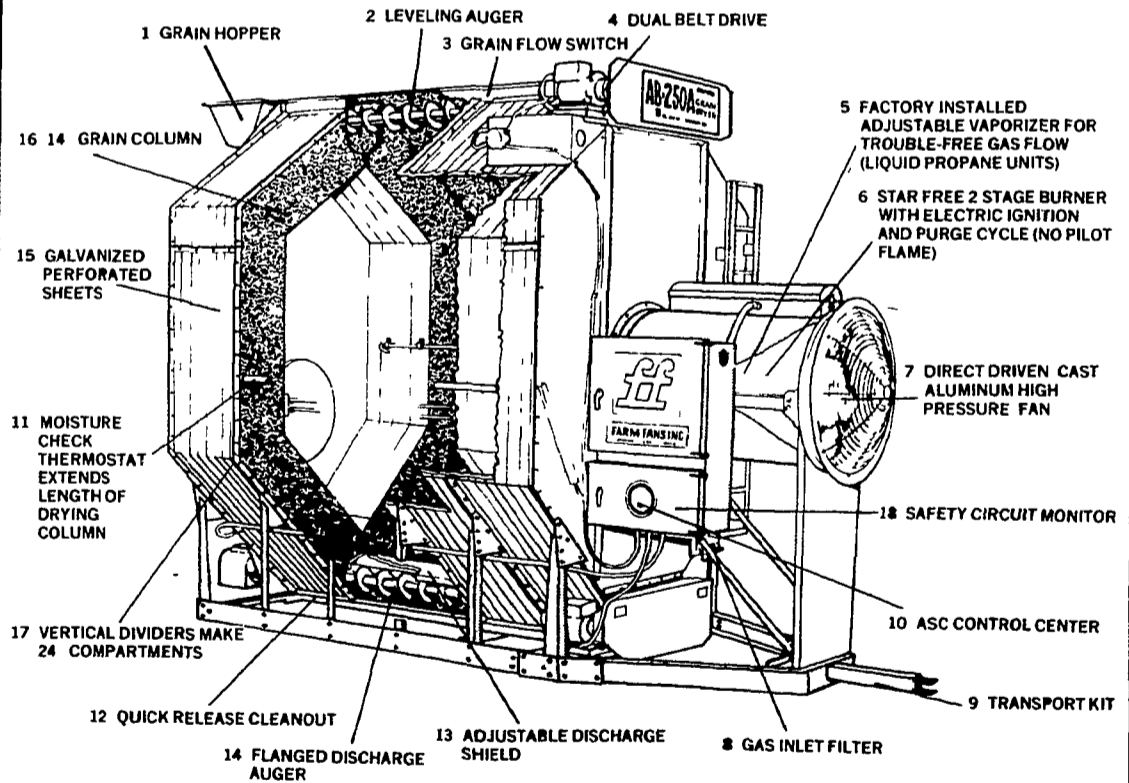


SWOPE & BASHORE, INC.

R.D. 1, MYERSTOWN, PA
Located 1 Mile S. of Int. 78 & 6 Miles N. of Myerstown
On Rt. 645 in Frystown
PHONE: 717-933-4138



FARM FANS Staged Automatic Grain Dryers



SPECIAL PRICE ON DRYERS IN STOCK

Model AB-8B Dryer,
210 Bushel per Hour Capacity, Single Phase \$6995⁰⁰

Model AB-120A Dryer,
190 Bushel per Hour Capacity, Single Phase \$6495⁰⁰

★ FULL LINE PARTS DEPARTMENT ★ WE SELL, SERVICE & INSTALL

EMHERR

EQUIPMENT, INC.

Serving The Industry for
Over 20 Years

RD 1, Rt. 272 S., Herrville Rd.,
Willow Street, PA
Phone: 717-464-3321