

# Livestock market and auction news

## Four States Livestock Hagerstown, Md. Wednesday, July 15

Report supplied by auction  
**SLAUGHTER:** Fed Steers Steady prices. Choice 60.00-62.50; Good 55.00-59.00; Medium 54.00 Down. Heifers Choice 55.00-57.00; Good 49.00-54.00; Medium 48.00 Down. Cows Steady with last week. High Yield 46.50-48.50; Average 43.00-46.00; Big Middle 39.00-42.00; Fatty Herf. 37.00-40.00; Shelly 40.00 Down. Fat Bulls Steady. Good 55.00-58.76; Medium 50.00-54.00. Veal Calves returning to

farm - higher. Others \$3.00 lower. Choice 80.00-84.50; Good 70.00-79.00; Medium 60.00-69.00; Farm Hfrs. to 120.00; Farm Bulls to 107.00; Light & Weak 52.00 Down. Lambs No Choice offered, \$3.00 lower. Good 50.00-56.50; Medium 49.00 Down.  
**STOCKER:** Steers 300-550 lbs. very active. \$2.00 higher. Choice 68.00-72.00; Good 61.00-67.00; Medium 54.00-60.00; Culls 53.00 Down. Steers 600-850 lbs. Choice 62.00-65.00; Good 56.00-61.00; Medium 55.00 Down. Heifers (All Weights) Choice 50.00-57.00; Good

44.00-49.00; Medium 43.00 Down. Bulls Choice 60.00-64.00; Good 54.00-59.00; Medium 53.00 Down. Springing Heifers to \$960.00. Pigs, Hd. Steady to \$2.00 higher. 20-30 lbs. 12.00-27.00; 40-70 lbs. 28.00-41.00. Shoats by Lb. to 45.00. Slaughter Hogs \$1.00 under last wk. 210-230 lbs. 51.25-52.10; 240-260 lbs. 51.00-52.00; 190-205 lbs. 44.00-49.00. Sows 300-600 lbs. 44.00-48.75; Thin Sows 39.00-43.00.

## Dewart Auction Monday, July 20

Report supplied by PDA  
**CATTLE 203:** Compared with Monday's market, slaughter steers, Choice 2-4, 930-1400 lbs. 64.85-67.10, few 70.00, Good 59.00-63.85, Standard 52.00-58.00. Choice slaughter heifers 59.75-66.75. Utility and Commercial slaughter cows 45.00-48.60, couple 49.25, Cutters 42.00-45.75, Canner and Low Cutters 38.50-42.00, Shells down to 35.00. Yield Grade #1, 1120-1750 lbs. slaughter bulls 53.00-59.10. Few Large Frame #1, 300-550 lbs. feeder heifers 58.50-64.50.

**CALVES 227:** Few Choice vealers 93.00-99.00, Good 79.00-93.00, Standard and Good 70-95 lbs. 60.00-70.00, Utility 50-80 lbs. 40.00-55.00. Farm Calves: Hol. Bulls 85-130 lbs. 70.00-105.00; Hol. Heifers 90-140 lbs. 80.00-130.00, few 177.50.

**HOGS 327:** US No. 1-2 200-230 lbs. barrows and gilts 53.40-54.20, lot 54.60, No. 1-3 210-245 lbs. 52.80-53.60, No. 2-3 230-270 lbs. 45.00-50.50. US No. 1-3 350-500 lbs. sows 44.00-47.75, few No. 2-3 250-350 lbs. 39.00-42.00. Few Boars 35.00-38.00.

**FEEDER PIGS 254:** US No. 1-3 20-35 lbs. feeder pigs 17.00-28.00 per head, No. 1-3 35-50 lbs. 26.00-37.50, No. 1-3 60-70 lbs. 42.00-44.50 per head; No. 1-3 80-120 lbs. 46.00-49.50 per hundredweight.

**SHEEP 6:** Few Choice 80-100 lbs. spring slaughter lambs 61.00-70.00.

## Lancaster Feeder Cattle Friday, July 17

Report supplied by USDA  
Today 461  
Last Friday 416  
Last Year 188

**TREND:** Insufficient volume of any grade or weight last week for a comparison Good volume met only fair demand this week. Many cattle remained in first hands.

**FEEDER STEERS:** Medium Frame 1: Lot 325 lbs. 67.50; 455-515 lbs. 63.00-64.75; 525-780 lbs. 58.00-62.25. Large Frame 1: Lot 355 lbs. 74.00; 475-550 lbs. 68.00-69.75; Small Frame 1: Lot 780 lbs. 60.10. Mixed Small and Medium Frame 1: 425-860 lbs. 58.00-62.00. Medium Frame Mixed 1-2: Lot 520 lbs. 50.00; 550-700 lbs. 57.00-62.75; 745-960 lbs. 53.50-57.75. Large Frame 1-2: Couple lots 510-600 lbs. 62.50-64.00; couple lots 915 lbs. 57.25 and 60.00. Large Frame 2 (Holsteins): 565-900 lbs. 46.50-49.50.

**FEEDER BULLS:** Small and Medium Frame 1: Couple lots 480 and 535 lbs. 61.25 and 65.50. Medium Frame 1: Few 465 and 845 lbs. 55.00 and 57.75. Medium Frame 1-2: Few 495-500 lbs. 49.25-51.75.

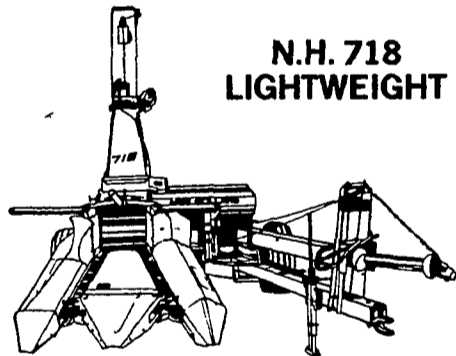
**FEEDER HEIFERS:** Medium Frame Mixed 1-2: Couple lots 410-470 lbs. 46.00-48.00.



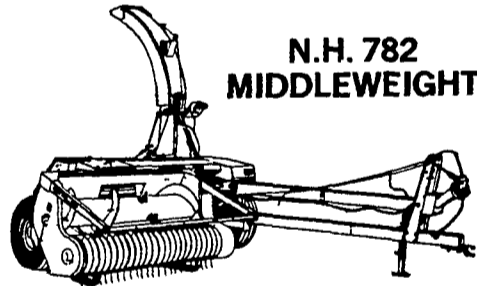
**THINKING ABOUT  
THAT BUMPER CORN  
CROP MAKES ME  
ANXIOUS TO  
HARVEST  
WITH A  
NEW  
HOLLAND  
FORAGE  
HARVESTER**

**THEY'RE CHAMPIONS IN EVERY DIVISION...  
From The Lightweights to The Heavyweights**

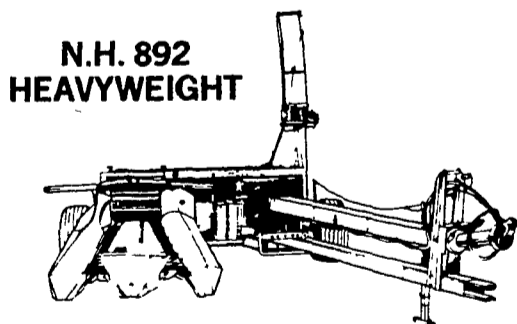
**WE HAD TO FIGHT FOR IT, AND WE WON!**



**N.H. 718  
LIGHTWEIGHT**



**N.H. 782  
MIDDLEWEIGHT**



**N.H. 892  
HEAVYWEIGHT**



**N.H. 1900  
CHAMPION**

**C.E. WILEY'S SERVICE AFTER THE SALE IS A KNOCKOUT!**

**A SELECT LINE OF GOOD USED EQUIPMENT**

N.H. Super 717 Harvester  
N.H. 890 Harvester  
N.H. 1469 Haybine  
N.H. 469 Haybine

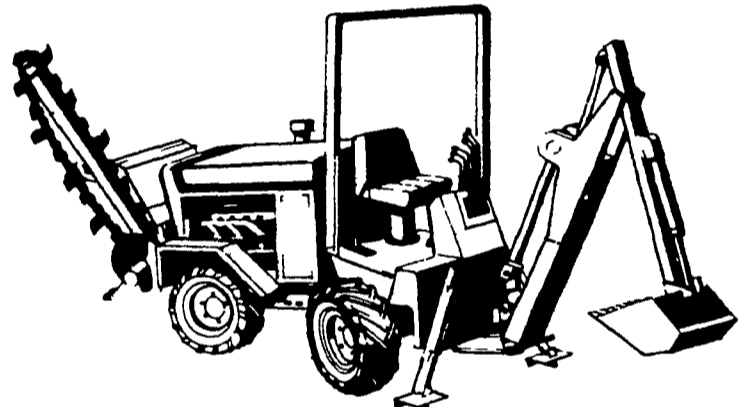
N.H. 479 Haybine  
N.H. 455 Mower  
N.I. Cutditioner

**ALL HAY  
& FORAGE  
EQUIPMENT  
INTEREST FREE  
TILL JANUARY  
1, 1982**

**When The Bell Sounds...WE'RE READY!**

**C.E. WILEY & SON INC.**

101 S. Lime Street, Quarryville, PA  
Phone: 717-786-2895



**We rent  
all the equipment  
you'll need for your  
next excavating job.**

Rent the equipment you need from us. We rent trenchers, small rubber tread frontloaders, backhoes.

For all your earth-moving needs.

Our equipment is good and rents for low, reasonable prices. So when that excavating job has to get done — call us.

Look for the location nearest you.

**AceRents**  
720 N. Prince St., Lancaster, PA 17603

**393-1701**

**Reading Rentals** 12th & Spring Sts  
Reading, PA 19604

**376-3896**

**RENTALS UNLIMITED** 940 Cornwall Road  
Lebanon, PA 17042  
East Main Street  
Palmyra, PA 17078

**272-4658**

**838-5478**