

## China seen as a growing market for U.S. grains and soybeans

WASHINGTON, D.C. — U.S. grain sales to China this year could top 8 million metric tons, up significantly from earlier expectations and slightly above 1980, according to Deputy Secretary of Agriculture Richard E. Lyng who is heading a joint government-industry grain team in China.

Lyng also said longer term prospects for U.S. grain sales to China are promising.

His remarks came at a press conference following a week of meetings with leading Chinese government and industry officials.

Lyng said U.S. grain exports to China totaled about 7.8 million tons in 1980, including 6.1 million tons of wheat and 1.7 million of corn. Total U.S. agricultural exports to China more than doubled in 1980 to \$2.2 billion, which represented 50 percent of all U.S. exports to China that year.

"Another good performance is

seen for 1981," Lyng said.

China's Vice Premier Yao Yilin, chairman of the State Planning Commission, told Lyng his country will continue to rely on grain imports over the next few years to allow for faster development of light industry, more efficient adjustment of agricultural production and an increased standard of living.

However, Lyng said China's imports probably will be limited to about 15 million tons over the next few years, based on his discussions with Chinese officials.

Lyng's team is in China to try to develop specific plans for expanding use of U.S. grains, improving trade servicing, and determining the likely level of Chinese purchases from the United States over the next few years.

"The Chinese have expressed great interest in improving and expanding the number of uses they

have for their grain," Lyng said. The U.S. grain industry—represented on the team by E. Thurman Gaskill, chairman of the U.S. Feed Grains Council, and Harrell Ridley, vice chairman of U.S. Wheat Associates, Inc.—is responding by helping the Chinese find more uses for noodles, flour, feed and corn. These two farmer-directed organizations work closely with USDA's Foreign Agricultural Service in market development projects abroad.

The U.S. wheat industry has plans to build a pilot noodle plant and a pilot flour mill in China in an effort to promote larger sales of U.S. wheat, Lyng said. U.S. Wheat Associates, Inc., will pursue the possible construction of these new plants with the Chinese.

Lyng toured the construction site of the demonstration bakery which the U.S. wheat industry is helping

the Chinese build. The bakery, scheduled to open in the fall of 1981, will be used both for bread production and for training Chinese bakers in modern baking techniques. U.S. Wheat Associates will also open an office in Hong Kong to help expand sales to China, Lyng said.

Lyng also announced several

upcoming exchanges of policy and technical personnel between the United States and China. A high level team of Chinese policy-makers will visit the United States in 1981, and up to three technical exchanges have also been set between now and early in 1982, Lyng said.

### ROPE IN SOME EXTRA CASH!

Advertise With A Lancaster Farming CLASSIFIED AD...

Phone: 717-394-3047 or 717-626-1164



## At HERR'S FARM & HOME SUPPLY, The Bottom Line Cost Is Your SAVINGS!



### WHISPER COOL VENTILATORS

- Cool and Ventilate your attic at no extra operating cost
- 12" Turbine
- With Base

Reg. \$29.99

SALE **\$25.99**



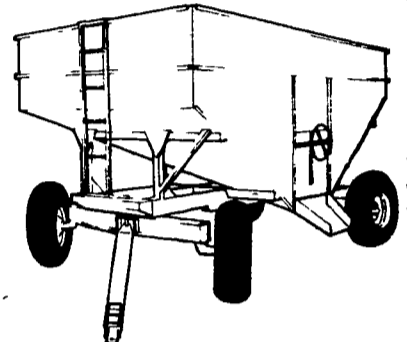
### IMPROVED GOLDEN MALRIN FLY BAIT

5 Lb. Can Reg. \$12.95

SALE **\$10.95** ea.

Case Lots of 6: **\$9.95** ea.

\* ALL BUG POPPERS ON SALE \*

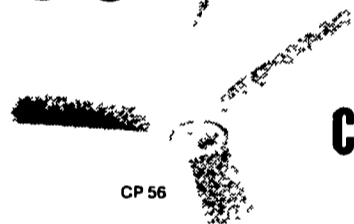


### KORY GRAVITY BOX Model S-165

- Silos - 7 ga.
- 970 lbs.
- 60" Height
- 165 Bu.
- Heavy Duty

Reg. \$499.95 Sale **\$469.95**

220 Bu. Reg. 635.95 Sale **\$599.95**



### CEILING CIRCULATING FANS

Sizes Available:

- 56" Fan • White Enamel
- 20,500 CFM • 5 Year Warranty
- 2 Speed: Low-4 AMP, Hi-9 AMP
- Control Not Included

- ★ 36"
- ★ 48"
- ★ 56"

CALL FOR QUANTITY DISCOUNTS

### New Ectiban fast-acting, long-lasting fly control



## ECTIBAN

TRIAL OFFER **\$1.99**

\$7.00 Value Sprays 2,000 Sq. Ft. See How Well It Works!

Model	Area	Reg.	SALE
BK 4000	1 acre	\$124.99	<b>\$99.99</b>
FC 8500	1 1/2 acre	\$179.99	<b>\$159.99</b>

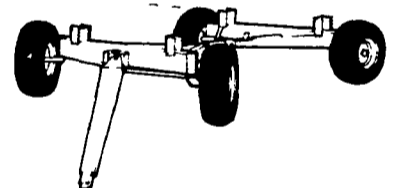
### FLOWTRON The Bugkiller



- Economical, covers 1 acre for pennies a day
- Safe
- New powerful blacklight

### RUNNING GEAR

- Standard Tongue
- Adj. Wheel Base
- 6 Bolt Hubs
- Less: Wagon & Tires



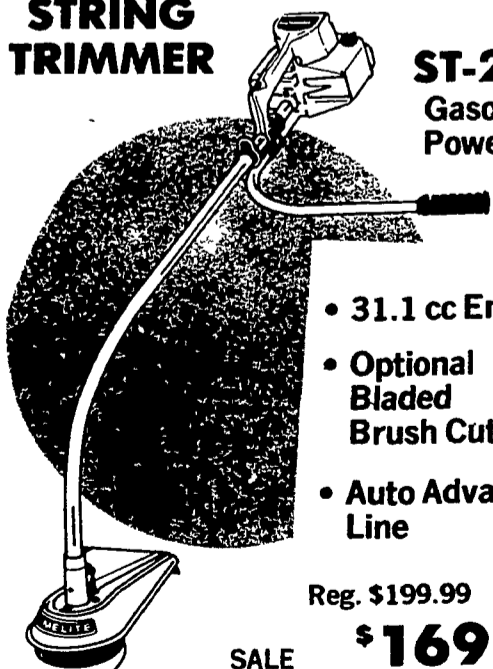
10 TON	Reg. \$599.95	Sale <b>\$569.95</b>
8 TON	Reg. \$499.95	Sale <b>\$469.95</b>
6 TON	Reg. \$465.95	Sale <b>\$435.95</b>

### HYDRAULIC JACKS



Ton Size	Reg.	SALE
1 1/2	\$10.99	<b>\$7.99</b>
3	\$15.99	<b>\$9.99</b>
5	\$21.49	<b>\$17.99</b>
8	\$33.99	<b>\$28.99</b>
12	\$39.99	<b>\$32.99</b>

### HOMELITE'S BEST STRING TRIMMER



ST-200 Gasoline Powered

- 31.1 cc Engine
- Optional Bladed Brush Cutter
- Auto Advance Line

Reg. \$199.99

SALE **\$169.99**

Model ST 100, Reg. 139.99 SALE **\$109.99**

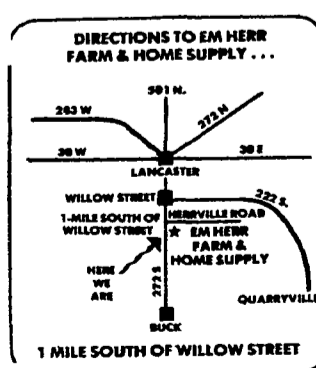
Model ST 80, Reg. 129.99 SALE **\$99.99**

### AUGERS



4"x10'	<b>\$108.75</b>
4"x15'	<b>\$133.75</b>
6"x11'	<b>\$162.75</b>
6"x16'	<b>\$199.75</b>

WE UPS ANYWHERE - JUST CALL 717-464-3321 SALE PRICES GOOD THROUGH JULY 25



Store Hours  
 Mon Thurs 7:30 A.M. - 6:00 P.M.  
 Sat. 7:30 A.M. - 5:00 P.M.  
 Fri. 7:30-9:00

## EM HERR FARM & HOME SUPPLY

R.D. 1, Rte. 272 South, Herrville Rd.  
 Willow Street, Pa.  
 Phone: (717) 464-3321