

BUY A JOHN DEERE TRACTOR NOW AND SAVE ON FINANCE CHARGES. OR LEASE NOW AND YOUR PAYMENTS WILL BE DISCOUNTED 10%!

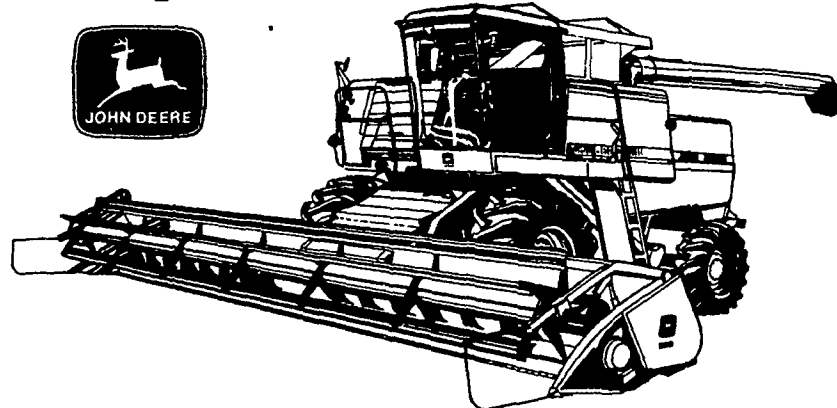


Buy a new John Deere 40- to 257-hp tractor before July 31, 1981, and no finance charges will accrue until March 1, 1982. This same offer applies to all used tractors and new John Deere and used implements sold with the tractor.

If you've considered leasing a tractor, now is the time. Lease payments on new John Deere tractors and implements leased with the tractor will be discounted 10 percent.

Stop in and see us soon. We can help your equipment dollars do more.

A 51 percent increase in grate area and 150-inch-long walkers greatly improve grain separation



You save more of your crop with John Deere's Titans. When the crop enters the cylinder, the first stages of threshing and separating begin.

The 14-bar concave (one more bar than on previous models) and beater grate help give 51 percent more threshing and separating area to each than the model it replaces. Straw walkers have been lengthened to 150 inches, which also greatly increases the area used for separation. These increased areas of threshing and separation can cut grain losses as much as 65 percent.

These Titans not only save more of your grain, they treat it gently as well. For all the details, stop by and see us now.

A.B.C. GROFF, INC.
New Holland, PA
717-354-4191

ADAMSTOWN EQUIPMENT INC.
Mohnton R.D. 2, PA
(near Adamstown)
215-484-4391

CHAPMAN EQUIPMENT CENTER
Agway Inc.
Chapman, PA
215-398-2553

CLUGSTON IMPLEMENT, INC.
Chambersburg, PA
717-263-4103

J.S. COVERT & SONS
Neshanic Station, NJ
201-369-5241

OXFORD GREENLINE
Oxford, PA
215-932-2753 -
215-932-2754

EVERGREEN TRACTOR CO., INC.
Lebanon, PA
717-272-4641

FOSTER EQUIPMENT SALES
Elmer, NJ
609-769-1535

H.R. GUTSHALL & SONS, INC.
Carlisle, PA
717-249-2313

ROBERT G. HAMPTON, INC.
Shiloh, NJ
609-451-9520

The Long Green Line™



Nothing runs like a Deere®

I.G. SALES
Silverdale, PA
215-257-5136

TAM SERVICES INC.
RD 4 Box 77A
Gettysburg, PA
717-334-9148
717-334-3710

KERMIT K. KISTLER INC.
Lynnport, PA
215-298-2011

LANDIS BROS. INC.
Lancaster, PA
717-291-1046

ROBERT E. LITTLE INC.
Zieglerville, PA
215-287-9643

PIKEVILLE EQUIPMENT INC.
Oyster Dale Road
Oley RD2, PA
215-987-6277

GEORGE V. SEIPLE & SON
Easton, PA
215-258-7146

SHOTZBERGER'S EQUIPMENT
Elm, PA
717-665-2141

TOBIAS EQUIPMENT CO., INC.
Halifax, PA
717-362-3132

WENGER IMPLEMENT, INC.
The Buck-Quarryville, PA
717-284-4141

WOODHULL EQUIPMENT, INC.
Medford, NJ
609-654-2011

M.S. YEARSLEY & SONS
West Chester, PA
215-696-2990

SMITH'S IMPLEMENTS, INC.
Mercersburg, PA
717-328-2244

DON CHESKE BROTHERS, INC.
Hackettstown, NJ
201-852-4488

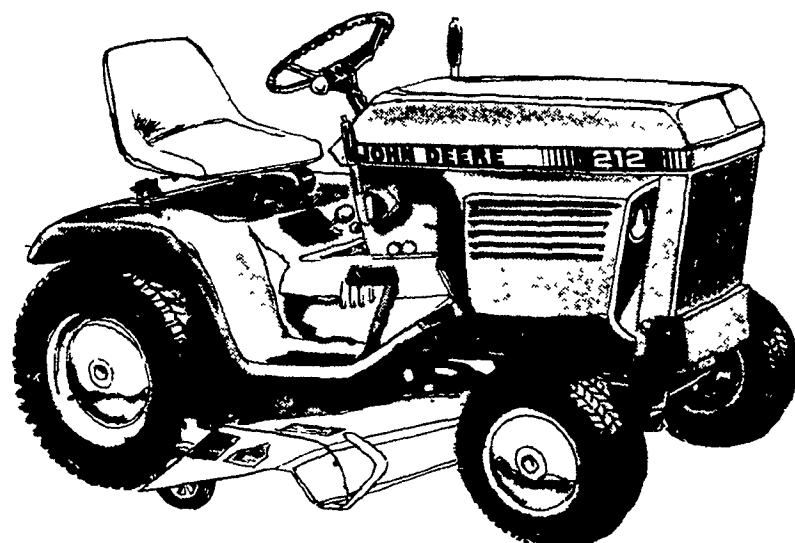
PIKEVILLE EQUIPMENT INC.
Oyster Dale Road
Oley RD2, PA
215-987-6267

NO SHIFTING... NO CLUTCHING!

John Deere 200 Series Tractors with variable-speed drive let you change ground speed on the go

Match tractor speed to the job at hand with a John Deere 200 Series Tractor. A 4-speed transaxle with variable-speed drive lets you slow down or speed up within each gear without reducing the working speed of power-operated implements. There's no shifting..no clutching. Just push the variator lever forward to increase forward travel speed, pull it back to slow down.

And 200 Series Tractors come in a variety of models to fit your needs and budget. Choose from the 10-hp 210, the 12-hp 212, the 14-hp 214 and the 16-hp 216.



All feature an adjustable high-backed seat, roomy operator's area, and a fully enclosed engine for comfortable, quiet operation. For safety, there's a triple-safety starting system to guard against accidental starts. Easy-to-identify color-coded controls. And a switch that automatically shuts off the engine if you leave the seat with the PTO engaged.

Come in soon for a 200 Series test drive. We also carry a variety of implements to make your tractor even more versatile.