

# Going OUT OF BUSINESS

## NO REASONABLE OFFER REFUSED!

**ALL NEW EQUIPMENT ON INVENTORY SOLD AT DEALER NET**

<b>EXAMPL</b> <b>ES:</b>	NEW IH 1086 .....	<b>\$25,768.72</b>	<b>PLUS... YOU GET ADDITIONAL FACTORY REBATES</b>
	NEW IH 1190 9 Ft. Mower Conditioner .....	<b>\$5,310.82</b>	
	International 684 .....	<b>\$15,018.10</b>	

**25%  
OFF  
PARTS**

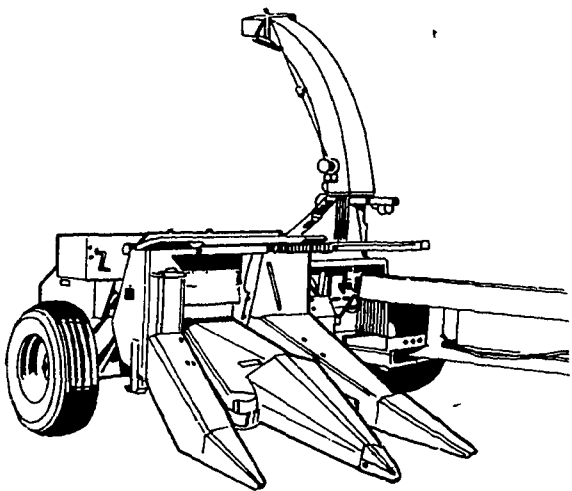
- Farmall 1066 - rebuilt engine, TA, brakes, turbo, 20.8x38 tires, new paint, excellent condition ..... **\$15,500**
- Allis Chalmers 190XT Series III w/cab, - 20.8 tires, weights, 2000 hours, excellent condition, one owner ..... **\$10,000**
- John Deere 4030 Diesel w/4 post frame, like new tractor w/dual valves & weights, 495 hrs., one owner ..... **\$15,900**
- Farmall 656 Diesel Hydro w/wide front, dual valves, new paint, 70 HP, one owner ..... **\$6,000**
- Farmall 350 Tractor w/fast hitch, good used tractor, good tires, new paint ..... **\$1,500**
- Farmall super MTA, power steering, live hydraulics, Independent PTO, Torque Amplifier, popular tractor ..... **\$1,895**
- 184 Cub Lo Boy equipped with terra tires ..... **\$4,165**
- IH #1460 Axial Flow Combine w/#863 Corn Head, cream puff, like new machine at used price, 490 hrs., one owner ..... **\$56,000**
- IH #205 Combine, 1972 Model, 6 cyl. engine, cab, 13 ft. platform, pickup reel, power steering, very good used combine, priced right ..... **\$6,500**
- John Deere #38 Forage Harvester with grass head, 2 row snapper head, 2 row corn head ..... **\$3,500**
- IH #990 9 ft. Mower Conditioner ..... **\$1,500**

- John Deere 336 Baler w/Thrower, very popular baler, priced right ..... **\$3,250**
- Fox IF546 Forage Harvester w/Pickup & 2 row row crop unit, good inexpensive harvester ..... **\$800**
- IH #50 Forage Harvester w/Pickup & 2 row row crop unit w/engine drive, IH engine, very good condition ..... **\$1,800**
- IH 1150 Grinder-Mixer, one owner, good used mill, cheap price ..... **\$2,250**
- Grove 16' Forage Box, 72" sides, three beater, make offer ..... **\$750**
- Papec 54" Forage Blower, good cheap blower ..... **\$400**
- IH #40 Manure Spreader, three beater, new web, better than average ..... **\$400**
- Hawk Bilt Tank Spreader - approx. 150 bushel, make offer ..... **\$400**
- IH #455 Corn Planter, 4 row w/double disk openers, Buy now for next year, priced right ..... **\$1,000**

**NEW 4140 DIESEL INTERNATIONAL  
SKID STEER LOADER**

With Manure Fork &  
Material Bucket

**\$13,175**



### IH 720 HARVESTER With 2 Row Row Crop Unit

**\$8100**

Plus...An Additional Customer Cash  
Payment of \$925 From International

### IH 830 HARVESTER With 2 Row Row Crop Unit

**\$9250**

Plus...An Additional Customer Cash  
Payment of \$925 From International

### USED TRUCK SPECIALS

- 1975 International 1700, 205 inch wheel-base, 26,000 G.V.W., P.S., 5 speed transmission, 2 speed rear, reinforced frame, tilt hood, 404 engine, inspected, good condition ..... **\$5250**
- 1975 International 200 1 Ton Dual Wheel with 12' Flat Body
- 1975 International 4 Wheel Drive Pickup with 8' Bed
- 1980 Scout Diesel Pickup

# HERITAGE

INTERNATIONAL INC.

1054 SOUTH STATE ST., EPHRATA, PA 17520  
PHONE 717-733-2283