

Livestock market and auction news

Weekly Summary

Friday, June 26

Report supplied by PDA

CATTLE: 7518. Compared with 6792 head last week, and 6622 head a year ago. Compared with last week's market: Slaughter steers mostly 1.00-2.00 higher; Sl. heifers steady to weak; Sl. cows weak to 1.00 lower, spots 2.00 lower; Sl. bullocks & bulls steady to 1.00 lower. Sl. steers: High Choice & Prime No. 3-4, 67.00-71.00; Choice No. 2-4 65.00-70.00; Good 58.00-63.00, few 65.00; Standard 52.50-58.50. Sl. heifers: Choice 60.00-65.00, few 66.95; Good 55.00-60.50; Standard 48.00-53.00. Sl. cows: Utility & Commercial 44.00-48.85, few 51.50; Cutters 42.50-47.50; Canner & L. Cutter 38.00-43.75; Shells down to 34.50. Sl. bullocks: Choice 55.00-59.00; Good 52.00-56.00; Standard 49.00-55.00. Sl. bulls: Yield Grade No. 1, 1000-2450 lbs. 54.00-59.00; Yield Grade No. 2, 900-1600 lbs. 50.50-55.00.

FEEDER CATTLE: Steers,

Medium Frame No. 1, 300-575 lbs. 60.00-77.50; Large Frame No. 2, 500-900 lbs. 52.00-58.00. Heifers, Medium Frame No. 1, 300-650 lbs. 50.00-58.00, few 70.00; Bulls Large Frame No. 2 600-875 lbs. 49.00-52.00.

CALVES: 3778. Compared with 2967 head last week and 3478 head a year ago. Vealers grading Good & Choice steady to 5.00 higher, Standard & Good steady to 5.00 lower. Few Prime 118.00-132.00; Choice 85.00-108.00; Good 70.00-85.00, few 95.00, 90-120 lbs. 65.00-75.00, few down to 55.00, 65-90 lbs. 50.00-65.00. Utility 40-100 lbs. 30.00-50.00.

FARM CALVES: Active, prices lower. Hol. Bulls 80-130 lbs. 63.00-117.00, mostly 75.00-95.00; Hol. Heifers 80-150 lbs. 80.00-171.00, mostly 90.00-127.50; Beef Cross Bulls & Heifers 70-100 lbs. 69.00-100.00.

HOGS: 7722. Compared with 4426 head last week and 8754 head a year ago. Barrows and gilts steady to 2.00 higher. US No. 1-2 200-240 lbs. 53.00-55.00, few down to 51.50;

No. 1-3 200-255 lbs. 52.00-53.50, few down to 49.50; No. 2-3 200-275 lbs. 50.00-51.00, few down to 46.50; No. 1-3 140-190 lbs. 40.00-47.50, mostly steady to 3.00 higher. US No. 1-3 300-575 lbs. 43.00-50.00; No. 2-3 300-650 lbs. 38.00-45.00. Boars 32.00-42.00.

FEEDER PIGS 1218. Compared with 1065 head last week and 1776 a year ago. Feeder pigs steady to 3.00 lower. US No. 1-3 20-35 lbs. 19.00-29.00 per head; No. 1-3 35-50 lbs. 25.00-39.00; No. 1-3 50-80 lbs. 35.00-50.00.

GRADED FEEDER PIGS: 3352. Compared with 2056 head last week, and 3170 head a year ago. All sales by CWT. Feeder Pigs steady to 3.00 lower, spots to 10.00 lower. US No. 1-2 20-40 lbs. 84.00-97.00, few 103.00, 40-50 lbs. 73.00-96.00, 50-60 lbs. 68.00-88.00, 60-85 lbs. 66.00-77.00; US No. 2-3 20-40 lbs. 68.00-89.00, 40-60 lbs. 63.00-90.00.

SHEEP: 624. Compared with 453 head last week and 1046 head a year ago. Sl. lambs 3.00-5.00 lower.

Baltimore mayor to compete

BALTIMORE, Md. — Baltimore Mayor William Donald Schaefer will welcome the National Holstein Association Convention to Baltimore by squaring off against Maryland Comptroller Louie Goldstein in a cow milking contest scheduled for June 30.

The contest will be held at Hopkin's Plaza, at the corner of Baltimore and Charles Streets, in down town Baltimore and will begin at 7 p.m.

Judges for the contest will be Ivan Strickler, president of the National Holstein Association; Robert Knutsen, Maryland Holstein president; and Zane Adkins, executive vice president for the National Holstein Association.

Baltimore media personality Frank Hennessey will provide squirt by squirt commentary and Milky the Robot will make a special appearance before and during the event.

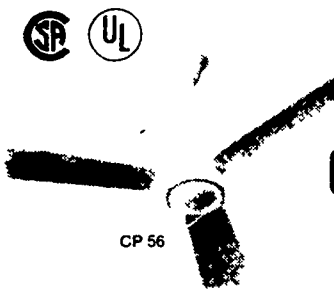


Hydro Heater, Conestoga & Baker Stoves Or Fireplace Inserts
"Before You Buy... Give Us A Try"

J & A STOVES
3752 East Newport Road, Gordonville, Pa. 17529
ROUTE 772 1/2 MILE EAST OF INTERCOURSE
717-768-8913

Old Fashioned Summer Farm Sale

OPEN ON SATURDAY JULY 4th



CEILING CIRCULATING FANS

CP 56

- 56" Fan • White Enamel
- 20,500 CFM • 5 Year Warranty
- 2 Speed: Low-4 AMP, Hi-9 AMP
- Control Not Included

- Sizes Available:
- ★ 36"
 - ★ 48"
 - ★ 56"

CALL FOR QUANTITY DISCOUNTS



Coolair
CONTROLLED ENVIRONMENT SYSTEMS FOR FARM BUILDINGS

Sizes: 24 Inch to 54 Inch



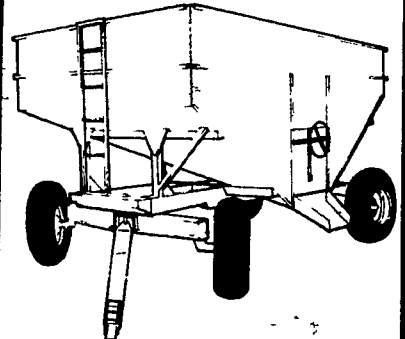
ACME fan-jet UNIT

USED FANS FOR SALE
36" Fan... \$95 and \$175



WD-40

WD-40 stops squeaks, provides positive rust and corrosion protection, penetrates quickly to free frozen or rusted metal #40011
9 oz. Reg. \$1.49
Sale **\$1.29**

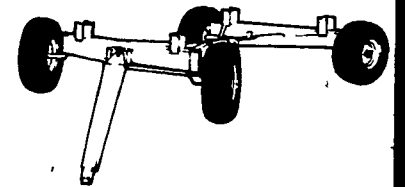


KORY GRAVITY BOX Model S-165

- Sills - 7 ga.
 - 165 Bu.
 - 970 lbs.
 - Heavy Duty
 - 60" Height
- Reg. \$499.95 Sale **\$469.95**
220 Bu. Reg. 635.95 Sale **\$599.95**

RUNNING GEAR

- Standard Tongue
 - Adj. Wheel Base
 - 6 Bolt Hubs
- Less: Wagon & Tires



- 10 TON Reg. \$599.95 . Sale **\$569.95**
- 8 TON Reg. \$499.95 . Sale **\$469.95**
- 6 TON Reg. \$465.95 . Sale **\$435.95**

POWER WASHER



- 500-600 PSI
- Large Wheels

SALE **\$299.95**
Reg. \$369.95

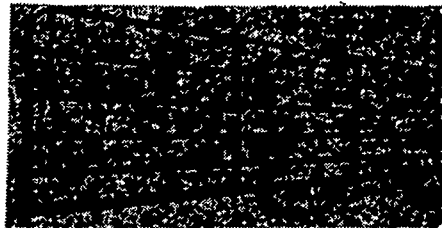
AC-225-S LINCOLN ELECTRIC ARC WELDER



Reg. \$145.95
SALE **\$129.95**

TUBULAR STEEL CATTLE & HOG GATES

For Corrals/Feedlots/Crowded Areas



SIZE	O.D. 1-5/8"	O.D. 2"
8'	46.95	—
10'	49.95	—
12'	61.50	79.95
14'	69.50	92.95
16'	74.50	99.95
18'	—	109.95

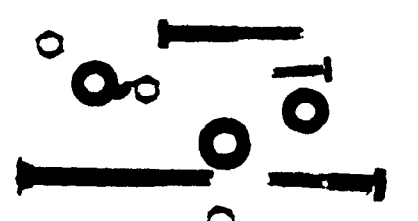
Cattle Gates 50" High Complete with Hinges & Latch

WE UPS ANYWHERE - JUST CALL 717-464-3321
SALE PRICES GOOD THROUGH JULY 4



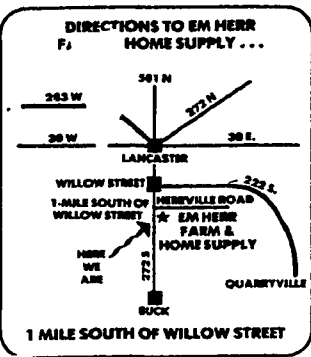
FLOWTRON BUG KILLERS
FC 8500 Fly Control Controls population of light sensitive flying insects for 1 1/2 acres 3 30 watt black lights 5 000 volt killing grid
Reg. \$179.95
Sale **\$159.95**

BK 200 Insect Control Powerful black light lures and kills mosquitoes and other annoying flying insects. Covers up to 1/2 acre
Reg. \$99.95
Sale **\$74.99**



Nuts/Bolts & Flatwashers
Your Choice

Summer Sale Price **89¢** lb.
10 lbs. or more



Store Hours
Mon - Thurs 7:30 A.M. - 6:00 P.M.
Sat 7:30 A.M. - 5:00 P.M.
Fri. 7:30-9:00

EM HERR FARM & HOME SUPPLY

R.D. 1, Rte. 272 South, Harrisville Rd.
Wilow Street, Pa.
Phone: (717) 464-3321