

# Pesticide users: Read the label

NEWARK, Del. — Last April a father in southern Delaware decided to do his daughter a favor by spraying her lawn to control the dandelions blooming there. Though there are many products that will kill dandelions and other weeds without harming the grass, apparently the one he chose is best used as a soil sterilant. After it's been applied, nothing will grow on the treated soil for a year or more, depending on the rate of application.

The man's daughter may be able to get lawn seed to germinate and grow by the fall of 1982 — possibly earlier. It's a sure thing, though, that the dandelions will come back first, given the way weeds grow.

This is a prime example of what

can happen if a pesticide user doesn't read the label before applying the pesticide. Usually, the mistake isn't as drastic as killing an entire lawn. But it can be, says University of Delaware extension pesticide specialist John McDaniel.

"People often ask if it's safe to eat their garden produce after it has been sprayed," he says. "The answer to this question is always a resounding no — unless the product is labeled as being suitable for use on edible crops," McDaniel said.

Again, read the label. "Be sure the product you intend to apply is safe for the plant or animal to be protected," says McDaniel. Check the recom-

mended dosage and be sure you understand any harvest limitations for your plants. Some pesticide labels specify a pre-harvest interval of a certain number of days. This means that this many days must elapse between the time of the last spraying and the time of harvest.

Careful selection of the pesticide and a little planning on the times of application and harvest can usually prevent this from being a problem. Spraying immediately after harvesting a crop like lima beans or snap beans will sometimes allow enough time to pass before they're ready for the next harvest.

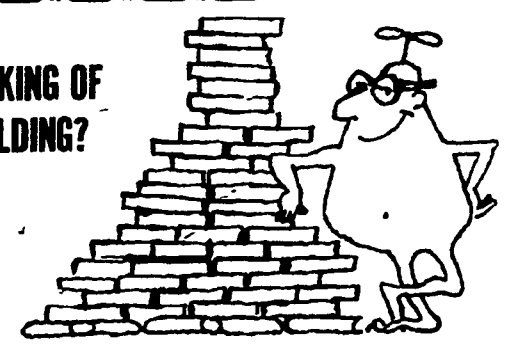
"The insecticide chlordane was probably the most frequently

misused insecticide on garden crops in the past," says McDaniel. Never very effective on most vegetables pests in the first place, this chemical hasn't been labeled for use on vegetables for years. In fact, the only labeled use for chlordane now is insertion into the ground to kill termites. Use of this material above ground is no longer

legal.

Avoid the disappointments and dangers which may result from pesticide misuse. Be sure to read and understand all the directions on the label, before using. Once you've read and understood them, be sure you follow them to the letter.

**THINKING OF BUILDING?**



**READ LANCASTER FARMING'S ADVERTISING TO FIND ALL YOUR NEEDS!**

## WHITE WASHING WITH DAIRY WHITE

- DRIES WHITE
- DOES NOT RUB OFF EASILY
- NO WET FLOORS
- IS COMPATIBLE WITH DISINFECTANT AND FLY SPRAYS
- WASHES OFF WINDOWS & PIPELINES EASILY

### ALSO BARN CLEANING SERVICE AVAILABLE WITH COMPRESSED AIR

To have your barn cleaned with air it will clean off dust, cob webs & lots of the old lime. This will keep your barn looking cleaner & whiter longer.

#### MAYNARD L. BEITZEL

Witmer, PA 17585 717-392-7227

Barn spraying our business, not a side-line. Spraying Since 1961

**HIGH PRESSURE WASHING AND DISINFECTING POULTRY HOUSES AND VEAL PENS.**

## COMPLETE FARM PAINTING

INDUSTRIAL



RESIDENTIAL

COMMERCIAL

We Use Quality Paint  
**AERIAL LADDER EQUIPMENT**

- Modern and Efficient Method
- Reasonable Prices
- Spray-On and Brush-In Method
- Sandblasting if Necessary

For Free Estimates Write or Call:

### ESH SPRAY PAINTING

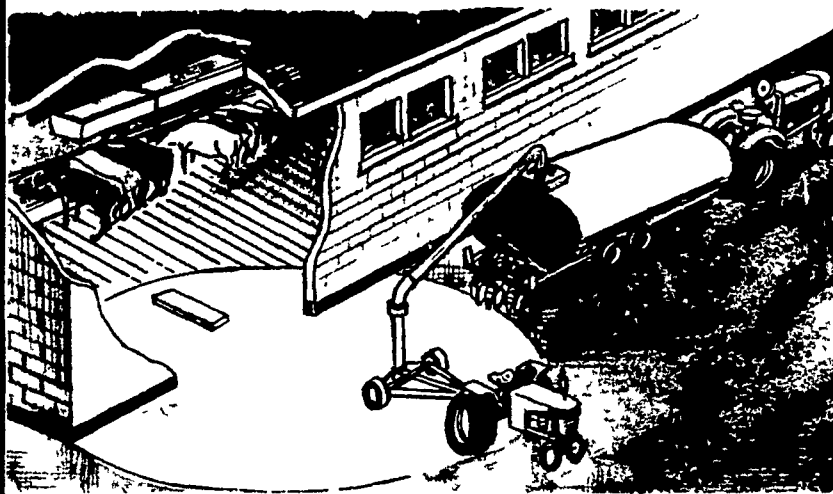
717-687-7007 or 687-8262

(C. Ralph Miller)

**SPRAY-ON AND BRUSH-IN PAINTER**

637 Georgetown Rd.  
Ronks, PA 17572

## UNDERGROUND LIQUID MANURE SYSTEMS



- \* Eliminate manure stacks for cleaner and neater appearance
- \* Eliminates breeding places for flies and insects
- \* Eliminates odor with underground manure storage
- \* Above ground systems also available \* ASCS APPROVED

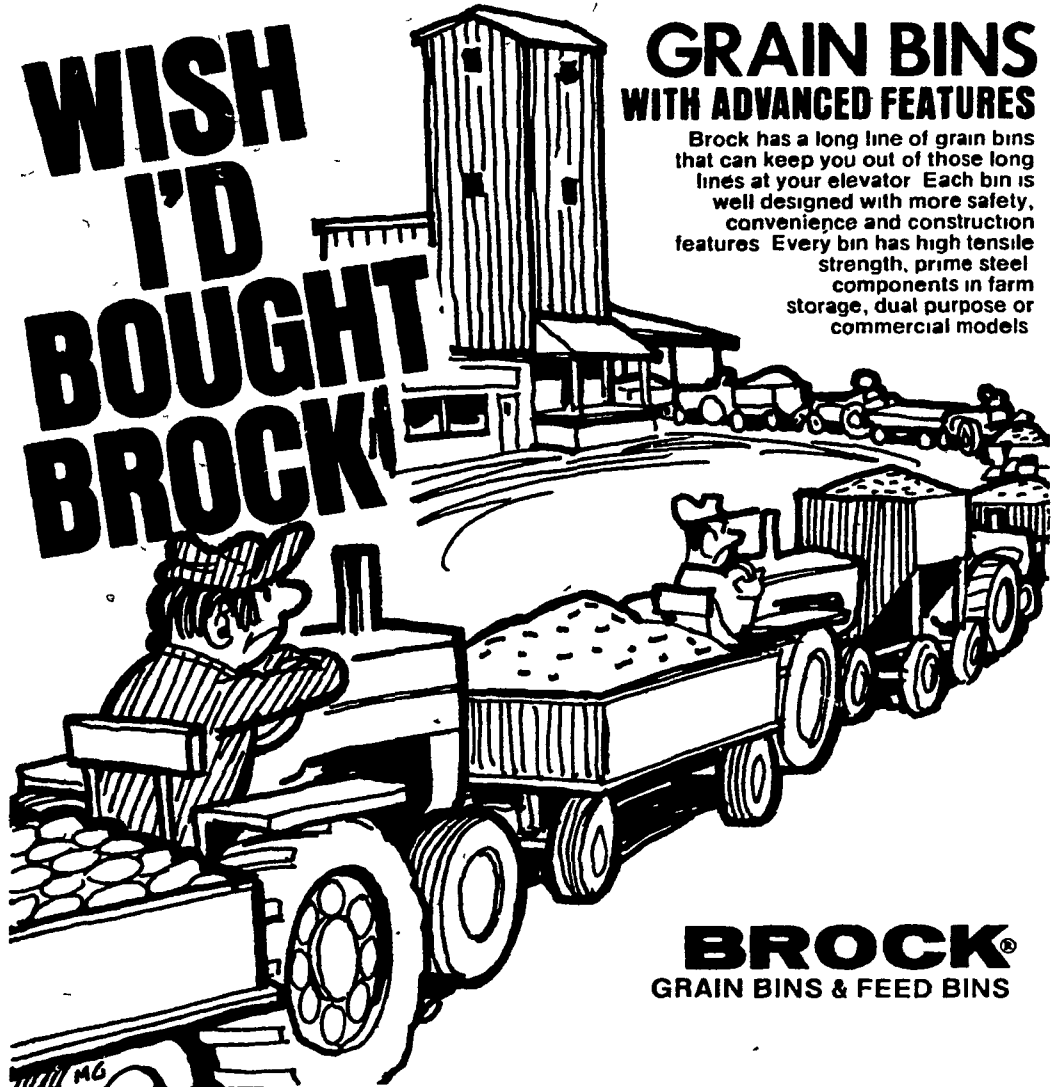
### MAR-ALLEN CONCRETE PRODUCTS INC.

RD 2, EPHRATA, PA 17522

PHONE: 717-859-3354

IF NO ANSWER 717-687-6732

**WISH I'D BOUGHT BROCK!**



## GRAIN BINS WITH ADVANCED FEATURES

Brock has a long line of grain bins that can keep you out of those long lines at your elevator. Each bin is well designed with more safety, convenience and construction features. Every bin has high tensile strength, prime steel components in farm storage, dual purpose or commercial models.

### BROCK® GRAIN BINS & FEED BINS

SYCAMORE IND. PARK  
255 PLANE TREE DRIVE,  
LANCASTER, PA. 17603  
(717) 393-5807

Route 30 West at The Centerville Exit

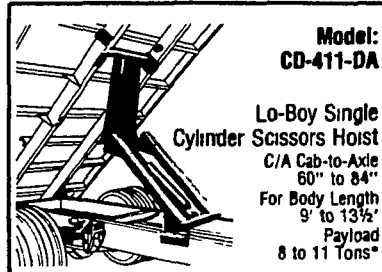
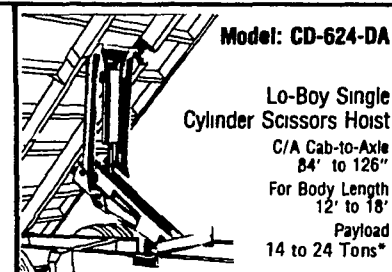
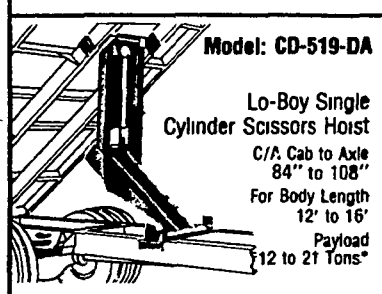
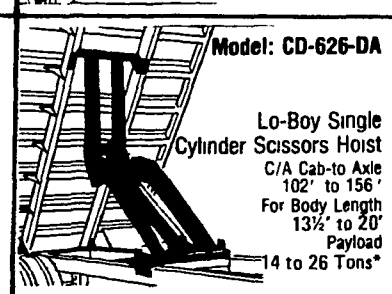


**HERSHEY EQUIPMENT COMPANY, INC.**

Designers of Quality Systems for Poultry, Swine and Grain Handling.

## Peabody Galion Lo-Boy Single Cylinder Scissors Hoists

Pick the one for your truck, your job, your convenience, your profit!

|  |  |
|--|--|
|  <p><b>Model: CD-411-DA</b><br/>Lo-Boy Single Cylinder Scissors Hoist<br/>C/A Cab-to-Axle 60" to 84"<br/>For Body Length 9' to 13½'<br/>Payload 8 to 11 Tons*</p>   |  <p><b>Model: CD-624-DA</b><br/>Lo-Boy Single Cylinder Scissors Hoist<br/>C/A Cab-to-Axle 84" to 126"<br/>For Body Length 12' to 18'<br/>Payload 14 to 24 Tons*</p>   |
|  <p><b>Model: CD-519-DA</b><br/>Lo-Boy Single Cylinder Scissors Hoist<br/>C/A Cab to Axle 84" to 108"<br/>For Body Length 12' to 16'<br/>Payload 12 to 21 Tons*</p> |  <p><b>Model: CD-626-DA</b><br/>Lo-Boy Single Cylinder Scissors Hoist<br/>C/A Cab-to Axle 102" to 156"<br/>For Body Length 13½' to 20'<br/>Payload 14 to 26 Tons*</p> |



**lanaster truck bodies**  
lanaster automobile spring co., inc.

Dial Toll Free 800 732-0004  
310 Richardson Drive  
Lancaster Hempfield  
Industrial Park  
P O Box 4626  
Lancaster, PA 17604  
717 394-2647