

## On being a farm wife -And other hazards

Joyce Bupp

June. Beautiful June. Month of roses. Graduations. Strawberries. School vacations, swimming pool openings, new kittens coming out of hiding to play.

Month of brides. Lovely brides, radiant in flowing white tulle, lace, net, silk. Cascades of daisies and baby's breath. Mother's tears. Towering cakes of picture perfection, with garlands of sugar-sweet floral art and iced scallops. Tossed bouquets and blushing grooms. Flustered fathers.

Never again will I sit through such weddings without fond remembrances of that one ceremony in particular.

Candles glistened in the early evening darkness of the little church, where the service was moving smoothly to its climax.

Vows had been exchanged, and now the minister asked the couple

to kneel for the blessing. Yards of snowy white train rustled as the bride gracefully knelt and the handsome bridegroom took his place beside her.

Usually we arrive at weddings at the last moment and take seats back in the rows of the far end of the church. This night, though, we'd arrived uncommonly early and had been ushered to prime seats on the second pew.

And thus it was that we had box seats to see the surprise wedding message.

As the groom dropped to his knees for the blessing, the soles of his black shoes turned upward toward the congregation.

Taped to the bottom of the groom's footwear, visible to the first few rows of the seated congregation, was this silent, but hilarious, plea: HELP ME.

Our young farmer friend had

fallen victim to a practical joke from his wedding support crew, and the front section of the guests nearly fell victim to mass uncontrollable giggles.

"I expect to read about this in your column," teased the groom as

we later greeted the couple in the receiving line."

You got it. Mike and Linda, this one's for you.

All our best wishes go out to this year's June wedding couples.

But please, just before you head out to walk up that aisle, bear this favorite dairy farm phrase in your mind:

Check your shoes.

IF YOU'RE BUYING HOG EQUIPMENT  
ASK YOURSELF - DO THEY HAVE PARTS & SERVICE? HERR'S DOES!

### THE COMPLETE SYSTEM BUILDING



SWINE & CALF CASTLE  
SELF-CONTAINED OR PITLESS

★ AGSTAR STANDS BEHIND  
THEIR BUILDINGS AND  
EQUIPMENT WITH A  
FULL YEAR WARRANTY.



CENTRAL TRACTOR **FARM & FAMILY CENTER**

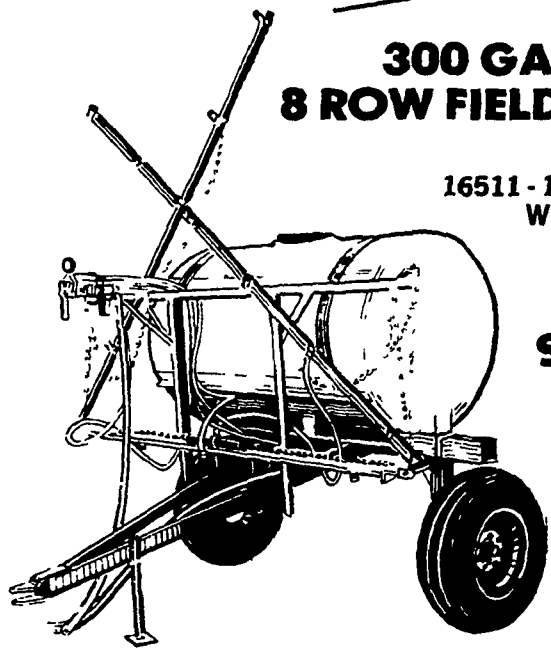
## Sprayer Clearance!

300 GALLON  
8 ROW FIELD SPRAYER

16511-100 Reg. \$1,049.99  
Without Pump

SAVE \$230!

Now Only  
**\$819<sup>99</sup>**



300 GAL. SKID  
MOUNT SPRAYER

16721-100 Reg. \$1,119.99  
Includes Gas Eng. And Pump  
SAVE NOW \$849<sup>99</sup>  
\$270 Only

25 GAL.  
MINI SPRAYER

16500-100 Reg. \$539.99  
Includes Gas Eng. And Pump  
SAVE NOW \$439<sup>99</sup>  
\$100 Only

Hours Mon thru Fri 8AM to 7PM  
Sat 8AM to 4PM

**WEAVER'S HARDWARE CO.**

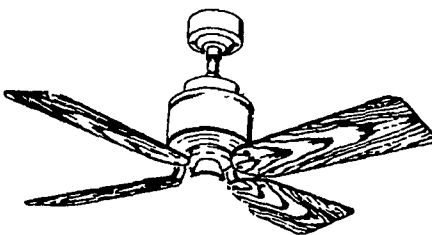
R.D. 4125 FLEETWOOD, PA. 19522

DISTRIBUTOR OF  
CENTRAL TRACTOR  
FARM & FAMILY CENTER

215-944-7486  
or 944-9648



ATTENTION: DAIRYMEN,  
POULTRYMEN and HOGMEN  
We Handle All Types of  
VENTILATION EQUIPMENT



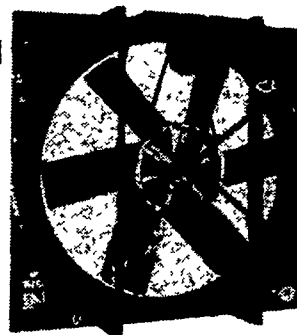
CEILING CIRCULATING FANS

Reg. \$124.99 • 56" Fan • White Enamel  
• 20,500 CFM  
• 5 Year Warranty  
SALE \$114<sup>99</sup> • 2 Speed: Low - 4 AMP,  
Hi - 9 AMP  
• Control Not Included

★ CALL RICK FOR QUANTITY  
DISCOUNTS  
★ 48" & 36" Available



CONTROLLED  
ENVIRONMENT SYSTEMS  
FOR FARM BUILDINGS  
Sizes:  
24 Inch to 54 Inch



ACME

fan-jet  
UNIT

USED FANS FOR SALE

36" Fan... \$95 and \$175

★ FULL LINE PARTS DEPARTMENT ★ WE SELL, SERVICE & INSTALL

**EMHERR**

**EQUIPMENT, INC.**

RD 1, Rt. 272 S., Herrville Rd.,  
Willow Street, PA  
Phone: 717-464-3321

Serving The Industry  
For Over 20 Years