

FARM EQUIPMENT

**JUNE SPECIALS**  
New Idea 404 rake — \$995  
Hesston 1090 mower conditioner \$5500  
FOB Herndon, Pa.

**NEW COMBINES**  
N6 rotary  
N5 rotary  
709 Uni-System  
**USED COMBINES**  
1977 LKS w/heads Int. 205  
MF 410  
Deferral on combines, New & Used  
**NEW TRACTORS**  
7020  
5050 2 wheel drive  
5050 4 wheel drive w/loader  
185  
5030

Deferral on New & Used Tractors

**USED TRACTORS**  
IH 1206 (606)  
IH 574

AC 7000 w/cab

**USED EQUIPMENT**

JD 6-row 1250 planter  
Hawk Bit 207 tank spreader  
JD 24T baler w/thrower  
New & Used windrowers

CALL TODAY!  
FOB Herndon, Pa.

**MCCLELLY'S**  
**DARRAGE**  
(717) 758-3915

FARM EQUIPMENT



**USED EQUIPMENT**

JD 1020 Gas Tractor  
JD 2020 Gas, WF  
JD 2510 **SOLD**  
JD 4010 Dsl.  
JD 4020 Dsl. WF  
JD 4230 4 post RG, Wea Enc., 18.4x34 Tires 95%, duals avail.  
AC D17 Gas w/3x16 Plow & 4R Rr. Cultv.  
VAC Case Tractor  
Davis 20+4 Hydro Trencher  
Ferguson 3 pt. ditcher  
JD 494A 4R Planter  
Brillion 13' PulvMulcher, Ex. Cond.  
Bearcat 12' **SOLD** Plow Foot  
Packer w/in frans.  
JD 920 12' Packer  
JD F145 6-16 Semi-Mtd. Plow  
JD 34 Fg. Harvester  
Rhino 8' rear blade  
JD 50 Mower  
Woods 10' Mower  
JD 407 7' PT Rotary Mower  
JD 894 Rake  
JD 65 Blower  
NI 501 Loader  
JD 12 Row Tool Bar  
Planter w/no-till coulters

**CFH, INC.**

East Main Street  
Cecilton, Md 21913  
(301) 275 2195  
648-5416/755-6608  
Evenings & Weekends  
Call Gary (301) 885-2248

FARM EQUIPMENT

1977 495 HN haybine  
\$3800 215 683-7943

For Sale NI conditioner with AC D14 engine, like new, 717-768 8679 eves



**NEW TRACTORS**

D6807A Deutz Tractor, FWD, 68 h p w/loader  
D6807 Deutz Tractor, 68 h p  
D6206 Deutz Tractor, 61 h p  
D5207 Deutz Tractor, 52 h p  
D4506 Deutz Tractor, 45 h p  
DX 120 Deutz Tractor, 110 h p

Used Farmall H

Ford 850  
Ford 6000 diesel  
Great Bend 1010 Loader w/96" bucket, 4000 lb cap, like new \$2500  
Custom-built diesel Gen Sets made to order  
New & Used Deutz diesel engines at special prices Call for details  
New Deutz F2L-912 diesel engines 20 32 H P electric start



312 West Main Street  
New Holland, PA  
PHONE 717-354-4181

FARM EQUIPMENT

AC Gleaner K corn/soybean special with both 10 ft grain head and 238 corn head Good condition, \$9750 00 PH 717 524-7722

1034 Bale Wagon  
1010 Bale Wagon  
213 Spreader  
208 Spreader  
JD 1209 Haybine  
Hesston 500 SP Haybine (2) Taylorway Disc 10'5"  
(1) Taylorway Disc 760 Chopper head 2-row 3200 IH Skid Loader York Blade  
Bush Hog Blade  
NH Corn Head 1-row 770 new  
438 Corn Head less att. 238 NH Tam Gear 12 ton w/11Lx15 tires  
1469 Haybine  
L Combine, 2 heads 438-15'  
425 NH Loader-Husker 479 Haybine  
Myer Snow Plow  
Volk Snow Plow  
990 9' IH Haybine, 1 steel, 1 rubber, pull type  
PT10 Hesston  
Gehl 600 Chopper 3 heads 2-30, 2-38 pickup  
IH 555 Chopper 38" head, 2 heads  
469 Haybine  
717 Chopper 1-row

**GRUMELLI FARM SERVICE**  
Quarryville  
Phone 717-786-7318

FARM EQUIPMENT

For Sale Baler 440 int bale thrower, bale tension 301 692-6720 or 301-557 7139 Harford Co



**USED EQUIPMENT**

Case 1816 Skid Loader, Like New  
NH 512 Spreader, real nice  
NH 510 Spreader w/end gate \$695  
NH 518 Spreader w/end gate, real nice  
NH 790 Spreader  
NH 276 Hay Baler, Nice  
NH #275 Baler w/thrower, good shape  
NH 273 Baler w/thrower, real good  
NH 1002 Auto Bale Loading Wagon  
NH 1010 Auto Bale Loading Wagon  
NH 1469 SP Haybine in good shape, \$3100  
NH 469, 477 & 479 Haybines

**Paul Shover's Inc.**

35 E. Willow Street  
Carlisle, PA  
717-243-2686

FARM EQUIPMENT

John Deere 50 tractor 3 pt, power steering, excellent condition 301-829-0271

AC 170 Gas Tractor  
AC 170 Dsl Tractor  
AC D19 Dsl Tractor  
AC D17 Gas Tractor  
AC 7000 Tractor  
NI 290 mow/ditioner  
AC 12' Spring Tooth Harrow  
NI 213 Spreader  
AC 150 Farm Loader to fit AC D15 Tractor

**ROY H. BUCH INC.**  
Ephrata  
717-859-2441

FARM EQUIPMENT

For Sale Used Balers JD 24T w/thrower, IHC 46 w/thrower good condition, Union Co 717-966-3497

**Farm Equipment Repairs & Hauling**  
Major Overhauls  
General Repairs

Call **JOHN HOOVER**  
RD 2 Reinholds, PA  
south of Adamstown,  
1/2 mi. off Rt. 222 on  
Witmer Road

Aluminum Irrigation Pipe, 5000 ft. 7"x30' sections, \$1.75 per ft. 1000 ft. 4"x30' sections \$1.29 per ft. Some accessories, used very little.  
2 Chisholm-Ryder Bean Harvesters, 656 diesel, hydrastatic, box with dump body, 2000 hrs., \$5000.00 each.  
1 Six row Lilliston rolling cultivator \$2500.00  
1 Myers Air Blast Sprayer, 500 gal. tank, remote control, sprays out both sides. Needs new block. Make offer.  
2 Bean Trailers with belts, one 36', one 32', fair condition. Make offer.  
3 FM Motorola Radios 1 base 25 watt, 1 mobile 25 watt, 1 mobile 10 watt, antennas, \$1000.00.  
**Robert C. Snyder**  
RD #2, North'd. Pa.  
Phone 717-473-8803 or 523-0114

**NEW EQUIPMENT**

**TRACTORS**  
JD 750 M.F. W.D.  
JD 850  
JD 950  
JD 11(SOLD)  
JD 2240  
JD 4240 w/SG & QR

**COMBINES & HEADS**  
JD 643 Head  
JD 6620 Combine  
JD 7720 Combine

**TILLAGE EQUIPMENT**  
JD 210 11' 5" Disc  
JD 215 11' 5" & 12' 10" Discs  
JD 950 12' Harrow  
JD RM4 cultivator

**FORAGE EQUIPMENT**  
JD 3940 Fg. Harvester  
NH 782 w/822 Head  
NH 8 Forage Box  
NH 28 Blower

**HAY TOOLS**  
JD 1209 & 1320 Mower Cond.  
JD 660, 670 Rakes  
NH 474 & 489 Haybines  
NH 258 Rakes  
NH 256 Rakes  
Thrower for 320  
Mathews 9E Rotary Scythe  
H & H 18' Bale Bodies  
NH 1037 Bale Wagon  
JD 347 Wire Baler

**OTHER EQUIPMENT**  
JD 146, 148, Loaders  
JD 506 Mower  
JD 965, 1065 Wagons  
JD 45, 78, Blades  
JD 392 Spreader  
JD 34, 40, 450 Spreaders  
NH 513, 679, 791 Spreaders  
NH 14, 230, 234 Wagons  
Century 300 & 500 gal. Sprayers

**USED HAY TOOLS**  
2 - NH 275 Balers w/throwers  
NH 270 Baler w/chute  
JD 24T Baler w/chute  
Gehl 600 Forage Harvester w/pickup and 2 row wide corn head  
NH 717 Forage Harvester w/pickup  
NH 479 Haybine  
NH 990 Mower Conditioner  
AC 390 Mower Conditioner

**USED NH 1495 HAYBINE, FULL CAB, \$14,000**



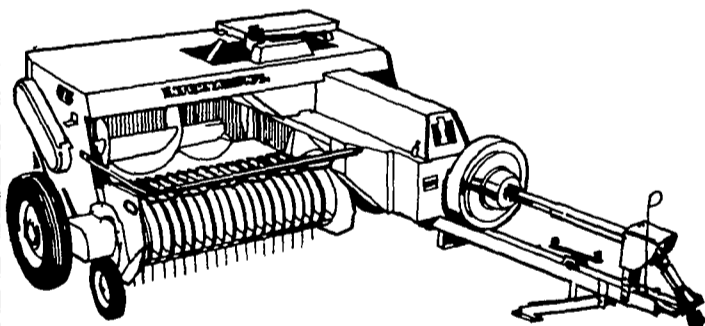
FREE FINANCING ON SOME ITEMS



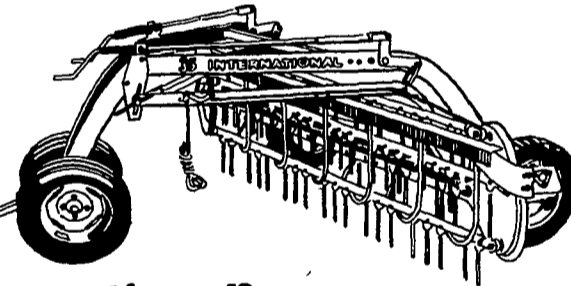
**I. G. SALES**  
DeLAVAL JAMESWAY Silverdale, PA 18962 215-257-5135  
Quonset Buildings

**INTERNATIONAL HARVESTER HAY AND FORAGE TOOL REBATE**

Now get cash back when you buy any of this fine International® equipment.



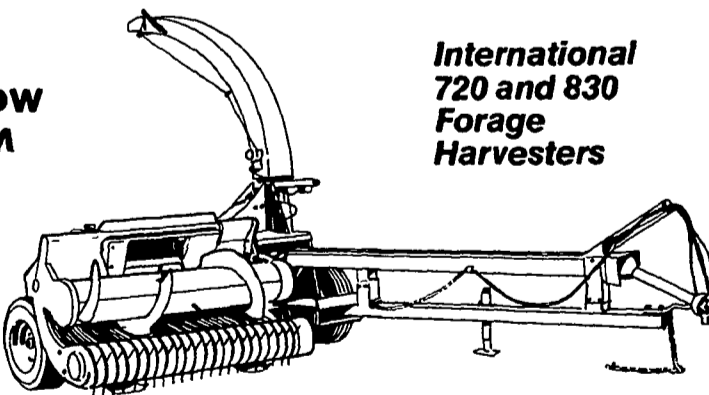
International® 425 Baler



International® 35 Parallel Bar Rake

**COME ON IN AND MAKE A DEAL NOW THEN GET YOUR CASH BACK FROM INTERNATIONAL HARVESTER CO.**

**CASH REBATES**  
Balers ..... \$500.00  
Rakes ..... \$140.00  
Forage Harvesters ..... \$925.00  
Mower Conditioners ..... \$500.00



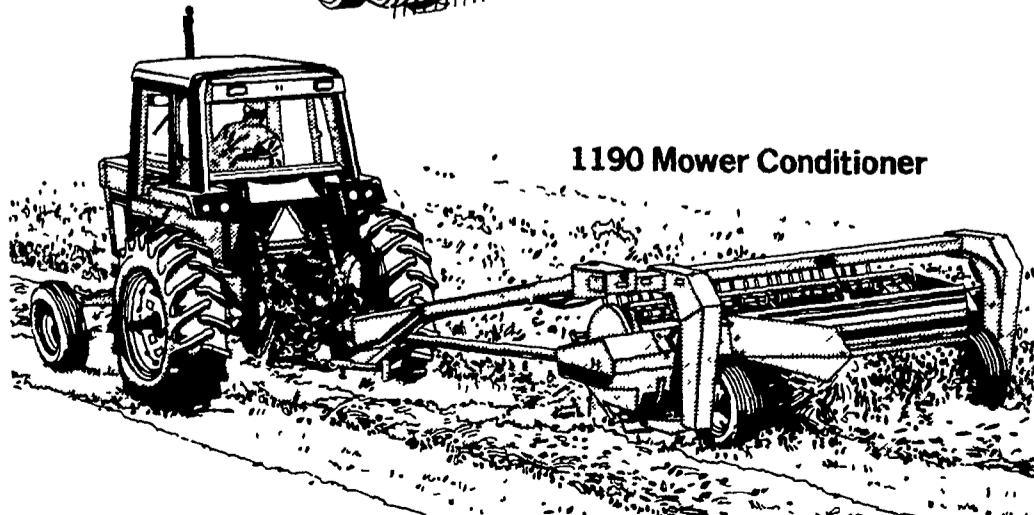
International 720 and 830 Forage Harvesters

**R.S. HOLLINGER & SON, INC.**

Parts & Service

113 W. Main St., Mountville, PA  
PH: 717-285-4538

Store Hours:  
Mon. thru Thurs. - 7 to 8,  
Fri. 7-5:30; Sat. 7 to 3



1190 Mower Conditioner