



Saturday, June 6
 Lancaster Society 1 meets for a program by Connie Balmer
 Lancaster Society 6 meets with Mrs. Willis Hackman, to exchange pictures of earlier days
 Lancaster Society 27 meets for a family picnic

Monday, June 8
 Lancaster Society 32 meets for miniature golfing at Conewago Golf Course

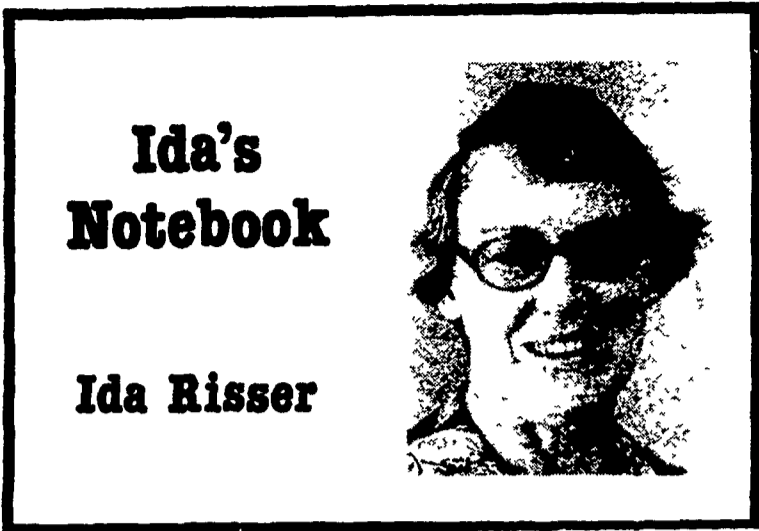
Tuesday, June 9
 Lancaster Society 22 meets for a bus tour to Bird-In-Hand Farmers Market

Wednesday, June 10
 York Society 9 meets with hostess Dixie Shue
 York Society 7 meets with Viola Druck
 Lancaster Society 14 celebrates their 46th birthday at the Farm and Home Center

Thursday, June 11
 Lancaster Society 21 meets with Jean Risk and Anne Brown for miniature golf at Village Green in Strasburg

Friday, June 12
 Lancaster Society 13 meets for a safety program

Saturday, June 13
 Lancaster 19 meets with Blanche Miller at Hempfield Church of the Brethren



Ida's Notebook
Ida Risser

I'd venture to say that this has been a busy week for many families.

It seems that many high schools in Lancaster County had their graduation ceremonies this week. And along with graduation itself goes class picnics, practices, proms, post-proms and other parties.

Our Cindy said to me over and over again "I can't believe that we only have ten days of school. Or later that we only have five days of school. And finally this is my last day."

It's good that she can look forward to college in the fall. She expects to study chemical engineering at Penn State where we now have two boys attending classes.

As she looks through her year-book, she sees classmates who are not familiar to her. You see, in a class of 382, there are some pupils

with whom one never shares a classroom.

The children are grouped according to ability and interests and travel through school with a select group. Only by participating in extra-curricular activities do they meet others.

In my high school class of long ago there were only 75 members and we all knew each other. Some got good grades and some got poor grades. There were those from quite well-to-do families and some who lived on the wrong side of the tracks. But I considered it a privilege to mingle with all of them and feel that we had more of a comradeship spirit than students do today.

Thus Cindy graduates, Philp comes home from college with a truck load of furniture that I don't know where to store, and I keep very busy picking my early sugar peas and selling them.

Farm Women Societies

(Continued from Page C11)
Berks Co. Society 3

Berks Farm Women 3, held their May meeting at the home of Mary Hill, 633 Fourth Street, Boyertown.

Thomas Siak of the Boyertown Y.M.C.A. presented the program. He showed blueprints of the new proposed Y.M.C.A. building for the Boyertown area to be built on Spring St.

Mrs. Harvey, president,

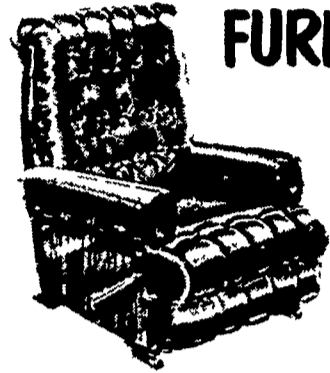
presented a plaque for \$150 for 5 years to the "Y" from the Farm Women.

Ten women attended Group 8's Entertainment Night at the Strausstown Elementary School.

Eight members attended the State Spring Rally at Dickenson College, Carlisle and heard POW Lt. Commander Charles Plumb speak.

Mrs. Laverne Richard reported plans are being made for a bus trip to be taken on October 27 to Historical Philadelphia.

The next meeting will be June 23 at 7:30 p.m. at the home of Mrs. Joseph Bartholomew, R2 Boyertown.



FURNITURE
NEW & USED

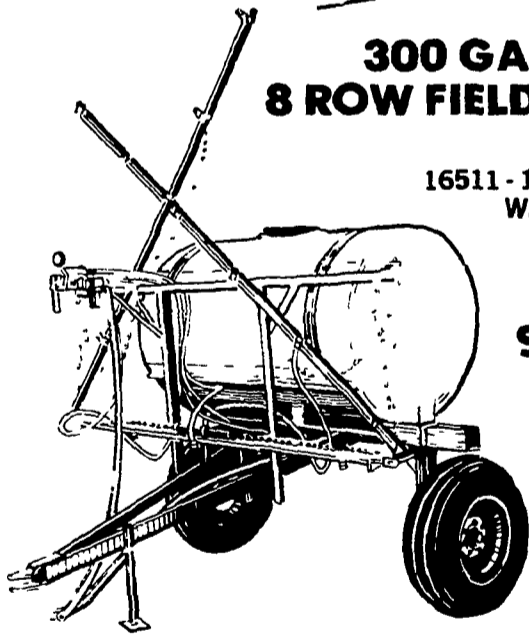
Recliners - living room suites, sofa beds, large variety of new bedroom suites in stock, dining room suites in oak, pine and maple, hutches, desks, bunkbeds, etc. Look for a few specials in new bedroom suites. Also good supply of Ashley wood and coal heaters.

SPRING AIR BOX SPRINGS & MATTRESSES - SOME GOOD USED
FISHER'S FURNITURE

BART, PA 17503
 RT. 896 IN GEORGETOWN
 Mon., Tues., Wed. & Sat. 8-5, Thurs. & Fri. 8-9

CENTRAL TRACTOR FARM & FAMILY CENTER

Sprayer Clearance!



300 GALLON 8 ROW FIELD SPRAYER

16511 - 100 Reg. \$1,049.99
 Without Pump

SAVE \$230!

Now Only **\$819⁹⁹**

300 GAL. SKID MOUNT SPRAYER
 16721-100 Reg. \$1,119.99
 Includes Gas Eng. And Pump
 SAVE NOW \$270 Only **\$849⁹⁹**

25 GAL. MINI SPRAYER
 16500-100 Reg. \$539.99
 Includes Gas Eng. And Pump
 SAVE NOW \$100 Only **\$439⁹⁹**

Hours Mon thru Fri 8AM to 7PM
 Sat 8AM to 4PM

WEAVER'S HARDWARE CO.
 R.D. 4125 FLEETWOOD, PA. 19522

DISTRIBUTOR OF CENTRAL TRACTOR FARM & FAMILY CENTER

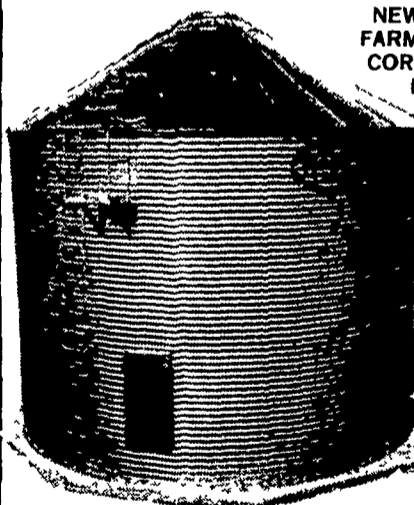
215 944-7486 or 944-9648

HWI
 The Friendly Ones

At E.M. Herr's, The Bottom Line Cost Is Your Savings.
THE SYSTEMS PEOPLE ▶ **YOUR HEADQUARTERS FOR GRAIN EQUIPMENT**



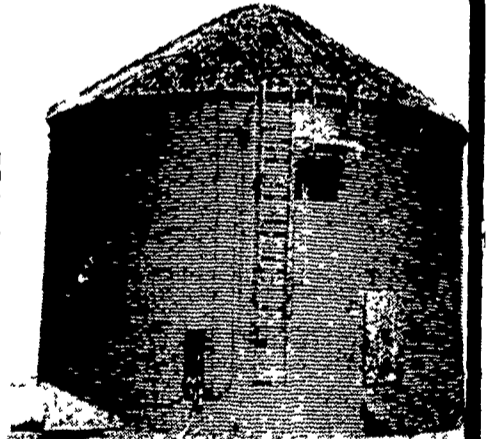
A GSI ON-FARM SAFE STORAGE SYSTEM



NEW 4" WIDE FARM BIN WITH CORRUGATED ROOF

FEATURING:

- All galvanized steel with G-90 galvanized coating including galvanized doors
- Our steel is A446 quality or a minimum yield of 40,000 pounds per square inch
- Walk around steps on top of roof
- Equipped with safety rings
- No welding anywhere on roof, prevents rust
- Slotted holes to raise & lower roof for air movement for drying



GSI GRAIN HANDLING SPECIALISTS — FROM BINS TO COMPLETE SYSTEMS

- WE STOCK**
- GRAIN BINS
 - FEED BINS
 - PORTABLE AUGERS
 - VERTICAL AUGERS
 - TRANSPORT AUGERS

- U-TROUGH AUGERS
- FLEX AUGERS
- AUGER FEEDERS
- GRAIN DRYER
- AERATION FANS
- GRAIN SCATTERERS
- CHANNEL LOCK FLOOR

- BIN SWEEPS
- PIPE SPOUTING
- MOISTURE TESTER
- MOTORS, BELTS & PULLEYS
- GRAIN CLEANERS
- IN BIN STIRRING SYSTEMS

★ FULL LINE PARTS DEPARTMENT ★ WE SELL, SERVICE & INSTALL

EMHERR

Serving The Grain Industry For Over 20 Years

EQUIPMENT, INC.

RD 1, Rt. 272 S., Herrville Rd., Willow Street, PA
 Phone: 717-464-3321